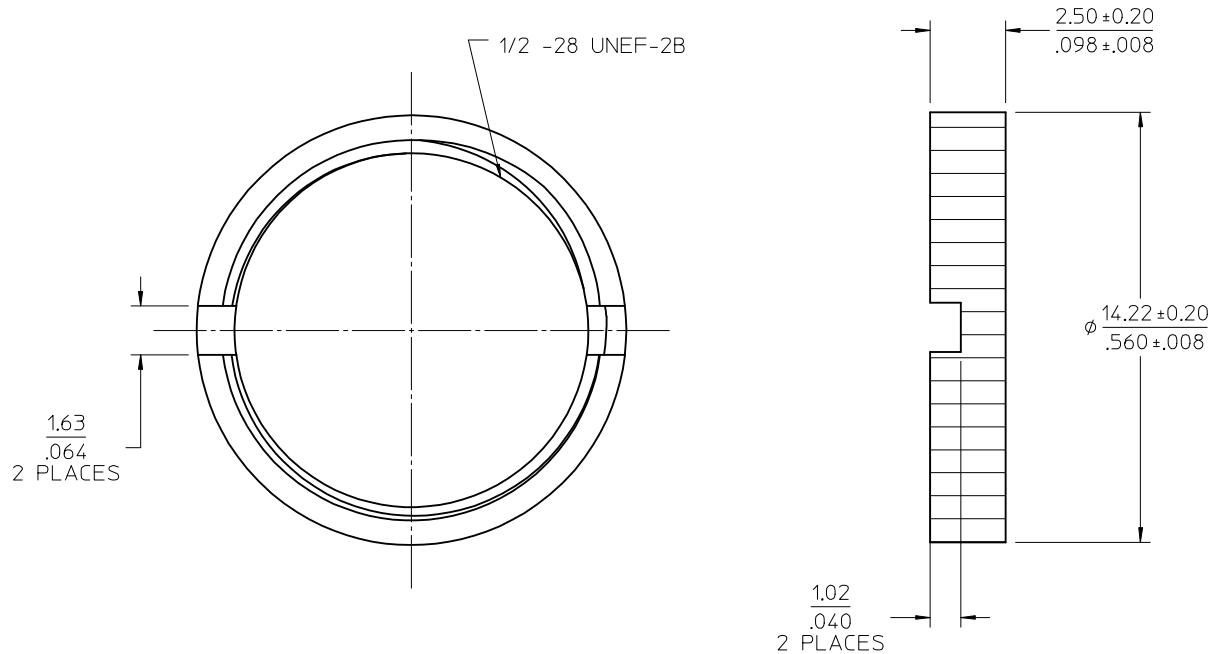
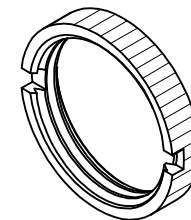


MATERIALS AND FINISHES:

JAM NUT: BRASS
 PLATED SEE TABLE



89519-4704	TIN
89519-4703	TRI-M3
89519-4702	GOLD
89519-4701	NICKEL
PART NO.	PLATED

RTM PER RF15-E293 EC NO: URF2016-0144 DRAWN: CWE102 2015/08/25 CHKD: APPR: YCHENG 2015/08/28	DESCRIPTION	QUALITY SYMBOLS	GENERAL TOLERANCES (UNLESS SPECIFIED)		DIMENSION STYLE	SCALE	DESIGN UNITS	THIRD ANGLE PROJECTION				
			mm	INCH	MM/IN	METRIC						
A	REV	=0 =0 =0	4 PLACES	± ---	± ---	DRAWN BY	DATE	TITLE JAM NUT ROUND 1/2-28				
			3 PLACES	± ---	± ---	CWE102	2015/08/25					
			2 PLACES	± ---	± ---	CHECKED BY	DATE	molex DOCUMENT NO. SD-89519-470				
			1 PLACE	± ---	± ---	KERRIE	2015/08/25				SHEET NO. 1 OF 1	
			0 PLACE	± ---	± ---	APPROVED BY	DATE				THIS DRAWING CONTAINS INFORMATION THAT IS PROPRIETARY TO MOLEX INCORPORATED AND SHOULD NOT BE USED WITHOUT WRITTEN PERMISSION	
			ANGULAR ± 2 °		MATERIAL NO.							
DRAFT WHERE APPLICABLE MUST REMAIN WITHIN DIMENSIONS			SIZE									