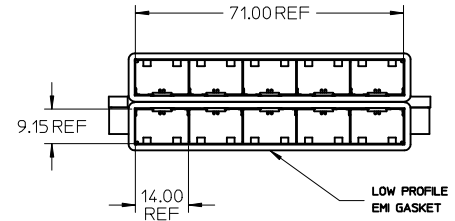
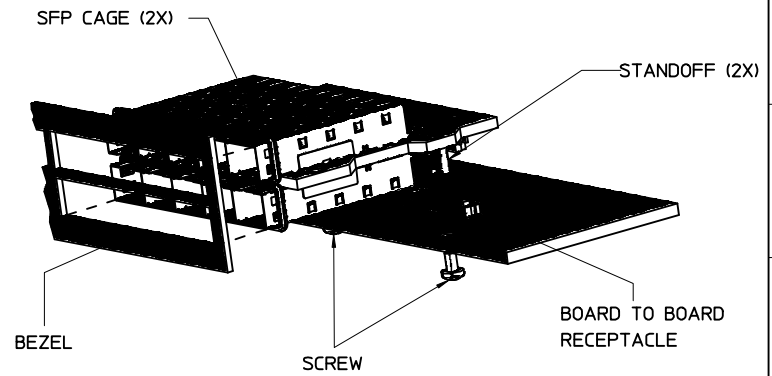


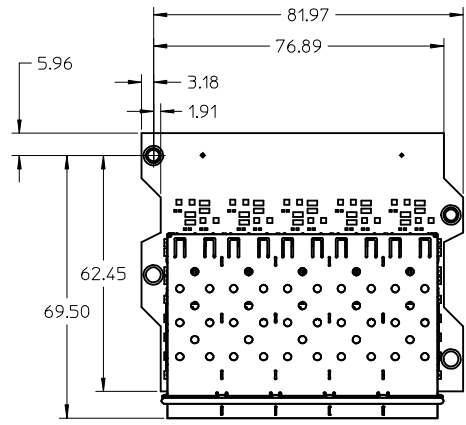
SIDE VIEW



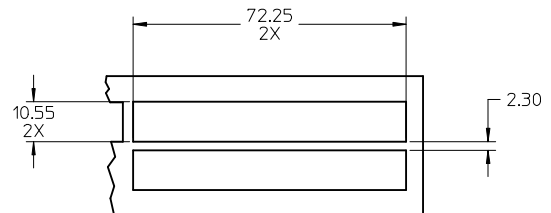
FRONT VIEW



ASSEMBLY PROCESS



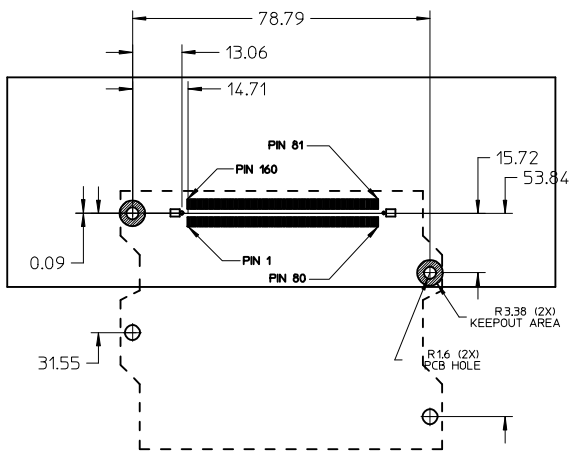
TOP VIEW



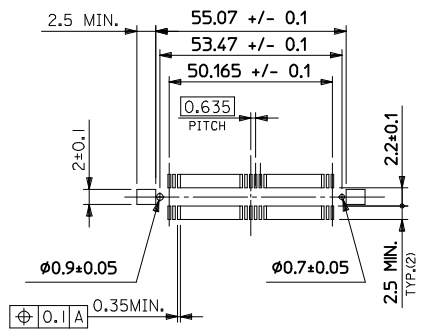
RECOMMENDED BEZEL CUTOUT

NOTES:

- 1.- ASSEMBLY ACCORDING TO IPC-A-610 CLASS 2.
- 2.- ROHS COMPLIANT ASSEMBLY.
- 3.- USE SCREW LENGTH 2-5 mm PLUS MOTHER BOARD THICKNESS.
- 4.- STANDOFF THREAD TO USE M3 SCREW, RECOMMENDED TORQUE 5 LB/IN +/- 0.5 LB/IN.
- 5.- RECOMMENDED CONNECTOR TO USE ON MOTHER BOARD, MOLEX P/N: 528851674.
- 6.- SFP CONNECTOR MOLEX P/N 744410001.
- 7.- FOR RECOMMENDED BEZEL DETAILS SEE CAGE DRAWING MOLEX P/N 747230001.
- 8.- FRONTAL HOLES CAN BE USED TO HOLD THE MODULE TO CHASSIS AND IMPROVE RETENTION WHEN USING A PROPER HEIGHT STANDOFF.



RECOMMENDED HOST BOARD LAYOUT



<b>ENTER DESCRIPTION</b> EC NO: MEX2010-0012 DRAWN: LRUB10 2009/08/04 CHKD: 2009/08/04 APPR: JSABATH 2009/08/05	<b>QUALITY SYMBOLS</b> ▽=0 ▽=0	<b>GENERAL TOLERANCES (UNLESS SPECIFIED)</b>		<b>DIMENSION STYLE</b> MM ONLY	<b>SCALE</b> 1:1	<b>DESIGN UNITS</b> METRIC	THIRD ANGLE PROJECTION	
		4 PLACES ± --- ± --- 3 PLACES ± --- ± --- 2 PLACES ± 0.25 ± --- 1 PLACE ± 0.25 ± ---	mm INCH ± --- ± --- ± 0.25 ± --- ± 0.25 ± ---	DRAWN BY DATE LRUB10 2006/03/09	CHECKED BY DATE JSABATH 2006/03/09	<b>TITLE</b> 2 X 5 STACKED SFP ASSY. ATCA CHASSIS		
6	<b>REV</b>	APPROVED BY DATE ELOPEZ 2006/03/09	MATERIAL NO. 795275006	DOCUMENT NO. SD-79527-5006	<b>MOLEX INCORPORATED</b>			SHEET NO. 1 OF 2
DRAFT WHERE APPLICABLE MUST REMAIN WITHIN DIMENSIONS		THIS DRAWING CONTAINS INFORMATION THAT IS PROPRIETARY TO MOLEX INCORPORATED AND SHOULD NOT BE USED WITHOUT WRITTEN PERMISSION						

FEMALE RECEPTACLE BOARD TO BOARD CONNECTOR

SIGNAL	PIN NO.	SIGNAL	PIN NO.
VEET 1	80	VEET 1	81
ID 1	78	VEET 1	82
VEET 2	76	VEET 1	83
RC 4	74	VEET 2	84
VEET 3	72	VEET 2	85
RC 5	70	VEET 3	86
VEET 4	68	VEET 3	87
RC 6	66	VEET 4	88
VEET 5	64	VEET 4	89
RC 7	62	VEET 5	90
VEET 6	60	VEET 5	91
RC 8	58	VEET 6	92
VEET 7	56	VEET 6	93
RC 9	54	VEET 7	94
VEET 8	52	VEET 7	95
RC 10	50	VEET 8	96
VEET 9	48	VEET 8	97
RC 11	46	VEET 9	98
VEET 10	44	VEET 9	99
RC 12	42	VEET 10	100
VEET 11	40	VEET 10	101
RC 13	38	VEET 11	102
VEET 12	36	VEET 11	103
RC 14	34	VEET 12	104
VEET 13	32	VEET 12	105
RC 15	30	VEET 13	106
VEET 14	28	VEET 13	107
RC 16	26	VEET 14	108
VEET 15	24	VEET 14	109
RC 17	22	VEET 15	110
VEET 16	20	VEET 15	111
RC 18	18	VEET 16	112
VEET 17	16	VEET 16	113
RC 19	14	VEET 17	114
VEET 18	12	VEET 17	115
RC 20	10	VEET 18	116
VEET 19	8	VEET 18	117
RC 21	6	VEET 19	118
VEET 20	4	VEET 19	119
RC 22	2	VEET 20	120
VEET 21	1	VEET 20	121
RC 23	1	VEET 21	122
VEET 22	2	VEET 21	123
RC 24	3	VEET 22	124
VEET 23	4	VEET 22	125
RC 25	5	VEET 23	126
VEET 24	6	VEET 23	127
RC 26	7	VEET 24	128
VEET 25	8	VEET 24	129
RC 27	9	VEET 25	130
VEET 26	10	VEET 25	131
RC 28	11	VEET 26	132
VEET 27	12	VEET 26	133
RC 29	13	VEET 27	134
VEET 28	14	VEET 27	135
RC 30	15	VEET 28	136
VEET 29	16	VEET 28	137
RC 31	17	VEET 29	138
VEET 30	18	VEET 29	139
RC 32	19	VEET 30	140
VEET 31	20	VEET 30	141
RC 33	21	VEET 31	142
VEET 32	22	VEET 31	143
RC 34	23	VEET 32	144
VEET 33	24	VEET 32	145
RC 35	25	VEET 33	146
VEET 34	26	VEET 33	147
RC 36	27	VEET 34	148
VEET 35	28	VEET 34	149
RC 37	29	VEET 35	150
VEET 36	30	VEET 35	151
RC 38	31	VEET 36	152
VEET 37	32	VEET 36	153
RC 39	33	VEET 37	154
VEET 38	34	VEET 37	155
RC 40	35	VEET 38	156
VEET 39	36	VEET 38	157
RC 41	37	VEET 39	158
VEET 40	38	VEET 39	159
RC 42	39	VEET 40	160
VEET 41	40	VEET 40	161
RC 43	41	VEET 41	162
VEET 42	42	VEET 41	163
RC 44	43	VEET 42	164
VEET 43	44	VEET 42	165
RC 45	45	VEET 43	166
VEET 44	46	VEET 43	167
RC 46	47	VEET 44	168
VEET 45	48	VEET 44	169
RC 47	49	VEET 45	170
VEET 46	50	VEET 45	171
RC 48	51	VEET 46	172
VEET 47	52	VEET 46	173
RC 49	53	VEET 47	174
VEET 48	54	VEET 47	175
RC 50	55	VEET 48	176
VEET 49	56	VEET 48	177
RC 51	57	VEET 49	178
VEET 50	58	VEET 49	179
RC 52	59	VEET 50	180
VEET 51	60	VEET 50	181
RC 53	61	VEET 51	182
VEET 52	62	VEET 51	183
RC 54	63	VEET 52	184
VEET 53	64	VEET 52	185
RC 55	65	VEET 53	186
VEET 54	66	VEET 53	187
RC 56	67	VEET 54	188
VEET 55	68	VEET 54	189
RC 57	69	VEET 55	190
VEET 56	70	VEET 55	191
RC 58	71	VEET 56	192
VEET 57	72	VEET 56	193
RC 59	73	VEET 57	194
VEET 58	74	VEET 57	195
RC 60	75	VEET 58	196
VEET 59	76	VEET 58	197
RC 61	77	VEET 59	198
VEET 60	78	VEET 59	199
RC 62	79	VEET 60	200
VEET 61	80	VEET 60	201

SFP1 CONNECTOR

SIGNAL	PIN NO.	SIGNAL	PIN NO.
VEET 1	1	VEET 1	11
XDIS 1	2	RD 1	12
VEET 2	3	VEET 2	13
MDP 1	4	VEET 3	14
VEET 3	5	VEET 3	15
MDP 2	6	VEET 4	16
VEET 4	7	VEET 4	17
MDP 3	8	VEET 5	18
VEET 5	9	VEET 5	19
MDP 4	10	VEET 6	20

SFP6 CONNECTOR

SIGNAL	PIN NO.	SIGNAL	PIN NO.
VEET 6	1	VEET 6	11
XDIS 6	2	RD 6	12
VEET 7	3	VEET 7	13
MDP 6	4	VEET 8	14
VEET 8	5	VEET 8	15
MDP 7	6	VEET 9	16
VEET 9	7	VEET 9	17
MDP 8	8	VEET 10	18
VEET 10	9	VEET 10	19
MDP 9	10	VEET 11	20

SFP2 CONNECTOR

SIGNAL	PIN NO.	SIGNAL	PIN NO.
VEET 2	1	VEET 2	11
XDIS 2	2	RD 2	12
VEET 3	3	VEET 3	13
MDP 2	4	VEET 4	14
VEET 4	5	VEET 4	15
MDP 3	6	VEET 5	16
VEET 5	7	VEET 5	17
MDP 4	8	VEET 6	18
VEET 6	9	VEET 6	19
MDP 5	10	VEET 7	20

SFP7 CONNECTOR

SIGNAL	PIN NO.	SIGNAL	PIN NO.
VEET 7	1	VEET 7	11
XDIS 7	2	RD 7	12
VEET 8	3	VEET 8	13
MDP 7	4	VEET 9	14
VEET 9	5	VEET 9	15
MDP 8	6	VEET 10	16
VEET 10	7	VEET 10	17
MDP 9	8	VEET 11	18
VEET 11	9	VEET 11	19
MDP 10	10	VEET 12	20

SFP3 CONNECTOR

SIGNAL	PIN NO.	SIGNAL	PIN NO.
VEET 3	1	VEET 3	11
XDIS 3	2	RD 3	12
VEET 4	3	VEET 4	13
MDP 3	4	VEET 5	14
VEET 5	5	VEET 5	15
MDP 4	6	VEET 6	16
VEET 6	7	VEET 6	17
MDP 5	8	VEET 7	18
VEET 7	9	VEET 7	19
MDP 6	10	VEET 8	20

SFP8 CONNECTOR

SIGNAL	PIN NO.	SIGNAL	PIN NO.
VEET 8	1	VEET 8	11
XDIS 8	2	RD 8	12
VEET 9	3	VEET 9	13
MDP 8	4	VEET 10	14
VEET 10	5	VEET 10	15
MDP 9	6	VEET 11	16
VEET 11	7	VEET 11	17
MDP 10	8	VEET 12	18
VEET 12	9	VEET 12	19
MDP 11	10	VEET 13	20

SFP4 CONNECTOR

SIGNAL	PIN NO.	SIGNAL	PIN NO.
VEET 4	1	VEET 4	11
XDIS 4	2	RD 4	12
VEET 5	3	VEET 5	13
MDP 4	4	VEET 6	14
VEET 6	5	VEET 6	15
MDP 5	6	VEET 7	16
VEET 7	7	VEET 7	17
MDP 6	8	VEET 8	18
VEET 8	9	VEET 8	19
MDP 7	10	VEET 9	20

SFP9 CONNECTOR

SIGNAL	PIN NO.	SIGNAL	PIN NO.
VEET 9	1	VEET 9	11
XDIS 9	2	RD 9	12
VEET 10	3	VEET 10	13
MDP 9	4	VEET 11	14
VEET 11	5	VEET 11	15
MDP 10	6	VEET 12	16
VEET 12	7	VEET 12	17
MDP 11	8	VEET 13	18
VEET 13	9	VEET 13	19
MDP 12	10	VEET 14	20

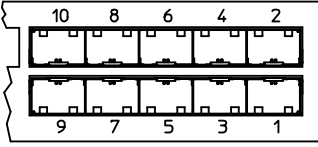
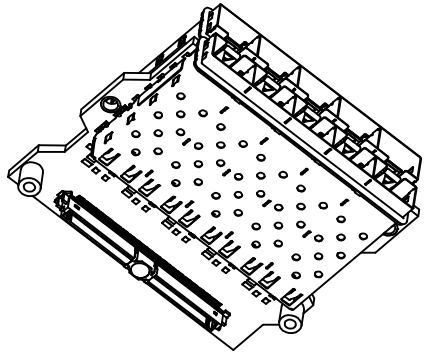
SFP5 CONNECTOR

SIGNAL	PIN NO.	SIGNAL	PIN NO.
VEET 5	1	VEET 5	11
XDIS 5	2	RD 5	12
VEET 6	3	VEET 6	13
MDP 5	4	VEET 7	14
VEET 7	5	VEET 7	15
MDP 6	6	VEET 8	16
VEET 8	7	VEET 8	17
MDP 7	8	VEET 9	18
VEET 9	9	VEET 9	19
MDP 8	10	VEET 10	20

SFP10 CONNECTOR

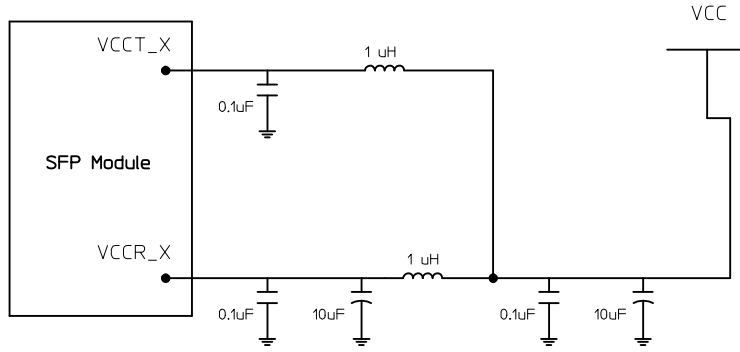
SIGNAL	PIN NO.	SIGNAL	PIN NO.
VEET 10	1	VEET 10	11
XDIS 10	2	RD 10	12
VEET 11	3	VEET 11	13
MDP 10	4	VEET 12	14
VEET 12	5	VEET 12	15
MDP 11	6	VEET 13	16
VEET 13	7	VEET 13	17
MDP 12	8	VEET 14	18
VEET 14	9	VEET 14	19
MDP 13	10	VEET 15	20

NOTE:  
 -ALL VEET'S, VEER'S AND NC'S ARE CONNECTED TO GND.  
 -ALL VCCT'S AND VCCR'S ARE CONNECTED TO POWER FILTERING (SEE SCHEMATIC).  
 -ALL SFP CONNECTORS HAVE A POWER FILTER.  
 -SFP CAGES ARE CONNECTED TO CHASSIS GND.



795275006 STACKED SFP POWER FILTERING SCHEMATIC DIAGRAM

Filter according to SFP MSA.  
 Inductor minimum current 300mA, maximum DCR 0.55 OHM.



REVISION CONTROL

REV	DATE	DESCRIPTION OF CHANGE
1	2007/09/03	NEW RELEASE
2	2007/05/02	CHANGED PORT NUMBERING
3	2007/07/18	REVISION BLOCK ADDED
		HOT CONNECTOR PIN NUMBERING SEQUENCE ADDED
		RECOMMENDED TORQUE SPECIFIED, TYPO NOTES CORRECTED.
		SFP PORT SIGNALS NAMED UPDATED
4	2008/08/04	STANDOFF CHANGED, SCREWS AND WASHERS FOR STANDOFF ADDED
		RECOMMENDED LAYOUT UPDATED, EMI GASKET REMOVED
5	2009/04/28	STANDOFF CHANGED, SCREWS AND WASHERS FOR STANDOFF REMOVED
		NOTES AND DIMENSIONS UPDATED ACCORDING TO MOLEX STANDARD
6	2009/07/31	POWER FILTER INDUCTOR REQUIREMENTS ADDED

ENTER DESCRIPTION  
 EC NO: MEX2010-0012  
 DRAWN: RUBIO  
 CHKD: JSABATH  
 APPR: JSABATH

QUALITY SYMBOLS  
 ▽=0  
 ▽=0

GENERAL TOLERANCES (UNLESS SPECIFIED)

	mm	INCH
4 PLACES	± 0.25	± 0.010
3 PLACES	± 0.25	± 0.010
2 PLACES	± 0.25	± 0.010
1 PLACE	± 0.25	± 0.010

ANGULAR ± 0.5°

DRAFT WHERE APPLICABLE MUST REMAIN WITHIN DIMENSIONS

DIMENSION STYLE  
**MM ONLY**

DRAWN BY DATE  
 LRUBIO 2006/03/09

CHECKED BY DATE  
 JSABATH 2006/03/09

APPROVED BY DATE  
 ELOPEZ 2006/03/09

SCALE  
**1:1**

DESIGN UNITS  
**METRIC**

THIRD ANGLE PROJECTION

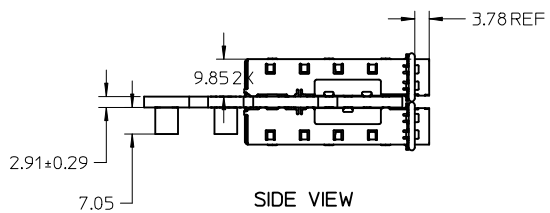
TITLE  
**2 X 5 STACKED SFP ASSY. ATCA CHASSIS**

MATERIAL NO.  
**795275006**

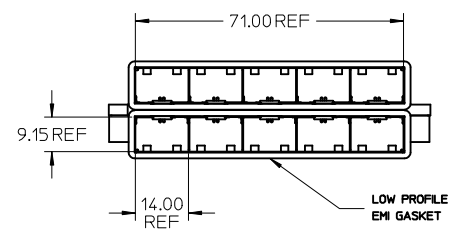
DOCUMENT NO.  
**SD-79527-5006**

SHEET NO.  
**2 OF 2**

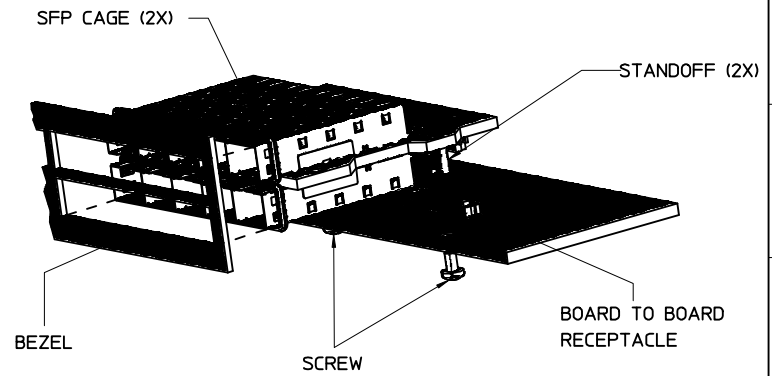
THIS DRAWING CONTAINS INFORMATION THAT IS PROPRIETARY TO MOLEX INCORPORATED AND SHOULD NOT BE USED WITHOUT WRITTEN PERMISSION



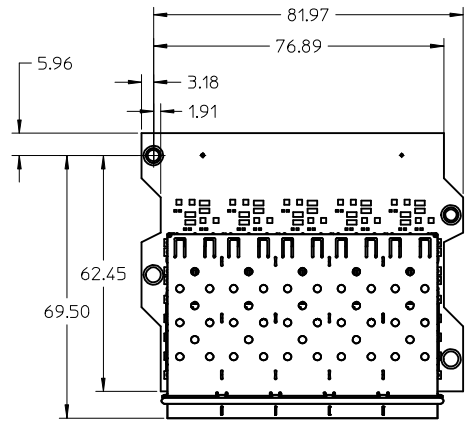
SIDE VIEW



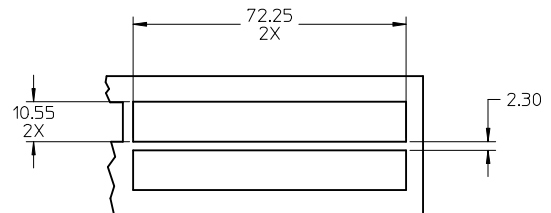
FRONT VIEW



ASSEMBLY PROCESS



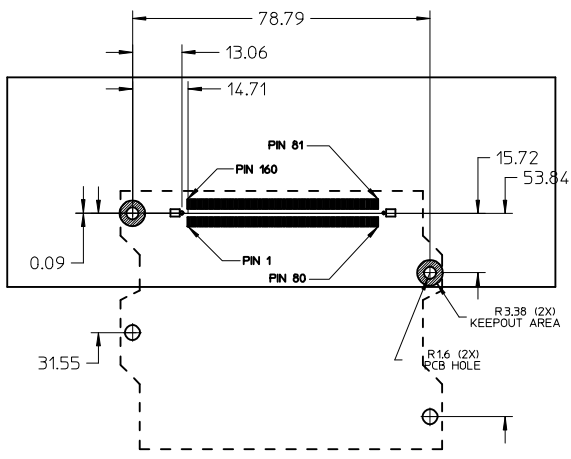
TOP VIEW



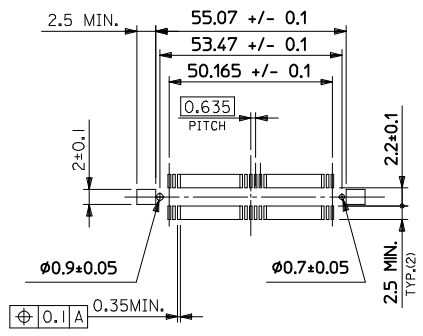
RECOMMENDED BEZEL CUTOUT

NOTES:

- 1.- ASSEMBLY ACCORDING TO IPC-A-610 CLASS 2.
- 2.- ROHS COMPLIANT ASSEMBLY.
- 3.- USE SCREW LENGTH 2-5 mm PLUS MOTHER BOARD THICKNESS.
- 4.- STANDOFF THREAD TO USE M3 SCREW, RECOMMENDED TORQUE 5 LB/IN +/- 0.5 LB/IN.
- 5.- RECOMMENDED CONNECTOR TO USE ON MOTHER BOARD, MOLEX P/N: 528851674.
- 6.- SFP CONNECTOR MOLEX P/N 744410001.
- 7.- FOR RECOMMENDED BEZEL DETAILS SEE CAGE DRAWING MOLEX P/N 747230001.
- 8.- FRONTAL HOLES CAN BE USED TO HOLD THE MODULE TO CHASSIS AND IMPROVE RETENTION WHEN USING A PROPER HEIGHT STANDOFF.



RECOMMENDED HOST BOARD LAYOUT



<b>ENTER DESCRIPTION</b> EC NO: MEX2010-0012 DRAWN: LRUB10 2009/08/04 CHKD: 2009/08/04 APPR: JSABATH 2009/08/05	<b>QUALITY SYMBOLS</b> ▽=0 ▽=0	<b>GENERAL TOLERANCES (UNLESS SPECIFIED)</b>		<b>DIMENSION STYLE</b> MM ONLY	<b>SCALE</b> 1:1	<b>DESIGN UNITS</b> METRIC	THIRD ANGLE PROJECTION	
		4 PLACES ± --- ± --- 3 PLACES ± --- ± --- 2 PLACES ± 0.25 ± --- 1 PLACE ± 0.25 ± ---	mm INCH ± --- ± --- ± 0.25 ± --- ± 0.25 ± ---	DRAWN BY DATE LRUB10 2006/03/09	CHECKED BY DATE JSABATH 2006/03/09	<b>TITLE</b> 2 X 5 STACKED SFP ASSY. ATCA CHASSIS		
6	<b>REV</b>	DRAFT WHERE APPLICABLE MUST REMAIN WITHIN DIMENSIONS		APPROVED BY DATE ELOPEZ 2006/03/09	<b>MATERIAL NO.</b> 795275006			<b>DOCUMENT NO.</b> SD-79527-5006
				SIZE C	THIS DRAWING CONTAINS INFORMATION THAT IS PROPRIETARY TO MOLEX INCORPORATED AND SHOULD NOT BE USED WITHOUT WRITTEN PERMISSION			
				<b>SHEET NO.</b> 1 OF 2				

FEMALE RECEPTACLE BOARD TO BOARD CONNECTOR

SIGNAL	PIN NO.	SIGNAL	PIN NO.
VEET 1	80	VCCP 1	81
ID 1	78	VXPL 1	82
VEER 2	76	VXPL 2	83
RP 4	74	MDP2 1	85
MDP 1	72	MDP 1	87
RP 1	70	MDP 2	89
VEE 1	68	VEE 1	88
LOS 1	66	ID 1	89
VEER 1	64	VEE 2	90
VEET 2	62	VCCP 2	91
ID 2	60	LOS 2	92
VEET 3	58	RATE 2	93
ID 3	56	MDP 2	94
VEER 4	54	MDP 2	95
RP 4	52	VXDS 2	97
MDP 3	50	VCCP 3	98
RP 3	48	VCCP 3	100
VEET 4	46	VXDS 3	102
ID 4	44	MDP 3	104
VEET 5	42	MDP 3	105
ID 5	40	VEE 2	107
VEER 6	38	LOS 3	108
RP 6	36	VCCP 2	109
VEE 6	34	VCCP 2	110
RP 5	32	LOS 2	111
VEE 5	30	MDP 2	112
VEET 6	28	MDP 2	114
ID 6	26	VXPL 1	116
VEET 7	24	VCCP 5	117
ID 7	22	VXPL 2	118
VEER 8	20	VXPL 3	119
RP 8	18	MDP2 3	121
MDP 7	16	MDP 3	122
RP 7	14	RP 3	123
VEE 7	12	VEE 3	124
RP 5	10	VCCP 3	125
VEE 8	8	VCCP 3	126
ID 8	6	LOS 6	128
VEET 9	4	RATE 6	129
ID 9	2	MDP 6	131
VEER 10	20	MDP 6	132
RP 10	18	VXDS 6	133
MDP 9	16	VXPL 6	134
RP 9	14	VXPL 7	135
VEET 10	12	VXDS 7	136
ID 10	10	MDP 7	137
VEET 10T	20	MDP 7	141
NK 1	18	LOS 7	142
NK 2	16	LOS 7	143
NK 3	14	VCCP 8	144
NK 4	12	VCCP 8	145
NK 5	10	VCCP 8	146
NK 6	8	VCCP 8	147
NK 7	6	LOS 8	148
NK 8	4	ID 8	149
NK 9	2	MDP 8	150
VCCP 10	8	MDP 8	151
VCCP 10	8	VCCP 8	152
VXPL 10	6	VXPL 9	153
VXDS 10	6	VXPL 9	155
MDP 10	2	MDP 9	157
MDP 10	2	MDP 9	159
LOS 10	2	ID 9	160
NK 9	1	NK 9	160

SFP1 CONNECTOR

SIGNAL	PIN NO.	SIGNAL	PIN NO.
VEET 1	1	VEER 1	11
VXPL 1	2	RP 1	12
VXDS 1	3	RP 1	13
MDP 1	4	VEE 1	14
MDP 1	5	VCCP 1	15
RATE 1	6	VEE 1	17
LOS 1	8	ID 1	18
VEER 1	9	ID 1	19
VEET 1	10	VEET 1	20

SFP6 CONNECTOR

SIGNAL	PIN NO.	SIGNAL	PIN NO.
VEET 6	1	VEER 6	11
VXPL 6	2	RP 6	12
VXDS 6	3	RP 6	13
MDP 6	4	VEE 6	14
MDP 6	5	VCCP 6	15
RATE 6	6	VEE 6	17
LOS 6	8	ID 6	18
VEER 6	9	ID 6	19
VEET 6	10	VEET 6	20

SFP2 CONNECTOR

SIGNAL	PIN NO.	SIGNAL	PIN NO.
VEET 2	1	VEER 2	11
VXPL 2	2	RP 2	12
VXDS 2	3	RP 2	13
MDP 2	4	VEE 2	14
MDP 2	5	VCCP 2	15
RATE 2	6	VEE 2	17
LOS 2	8	ID 2	18
VEER 2	9	ID 2	19
VEET 2	10	VEET 2	20

SFP7 CONNECTOR

SIGNAL	PIN NO.	SIGNAL	PIN NO.
VEET 7	1	VEER 7	11
VXPL 7	2	RP 7	12
VXDS 7	3	RP 7	13
MDP 7	4	VEE 7	14
MDP 7	5	VCCP 7	15
RATE 7	6	VEE 7	17
LOS 7	8	ID 7	18
VEER 7	9	ID 7	19
VEET 7	10	VEET 7	20

SFP3 CONNECTOR

SIGNAL	PIN NO.	SIGNAL	PIN NO.
VEET 3	1	VEER 3	11
VXPL 3	2	RP 3	12
VXDS 3	3	RP 3	13
MDP 3	4	VEE 3	14
MDP 3	5	VCCP 3	15
RATE 3	6	VEE 3	17
LOS 3	8	ID 3	18
VEER 3	9	ID 3	19
VEET 3	10	VEE 3	20

SFP8 CONNECTOR

SIGNAL	PIN NO.	SIGNAL	PIN NO.
VEET 8	1	VEER 8	11
VXPL 8	2	RP 8	12
VXDS 8	3	RP 8	13
MDP 8	4	VEE 8	14
MDP 8	5	VCCP 8	15
RATE 8	6	VCCP 8	15
RATE 8	6	VCCP 8	15
LOS 8	8	ID 8	18
VEER 8	9	ID 8	19
VEET 8	10	VEE 8	20

SFP4 CONNECTOR

SIGNAL	PIN NO.	SIGNAL	PIN NO.
VEET 4	1	VEER 4	11
VXPL 4	2	RP 4	12
VXDS 4	3	RP 4	13
MDP 4	4	VEE 4	14
MDP 4	5	VCCP 4	15
RATE 4	6	VCCP 4	15
RATE 4	6	VCCP 4	15
LOS 4	8	ID 4	18
VEER 4	9	ID 4	19
VEET 4	10	VEE 4	20

SFP9 CONNECTOR

SIGNAL	PIN NO.	SIGNAL	PIN NO.
VEET 9	1	VEER 9	11
VXPL 9	2	RP 9	12
VXDS 9	3	RP 9	13
MDP 9	4	VEE 9	14
MDP 9	5	VCCP 9	15
RATE 9	6	VCCP 9	15
RATE 9	6	VCCP 9	15
LOS 9	8	ID 9	18
VEER 9	9	ID 9	19
VEET 9	10	VEE 9	20

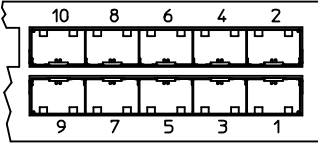
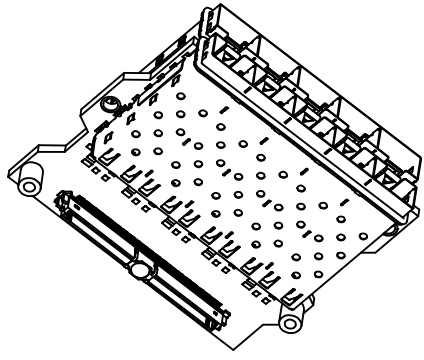
SFP5 CONNECTOR

SIGNAL	PIN NO.	SIGNAL	PIN NO.
VEET 5	1	VEER 5	11
VXPL 5	2	RP 5	12
VXDS 5	3	RP 5	13
MDP 5	4	VEE 5	14
MDP 5	5	VCCP 5	15
RATE 5	6	VCCP 5	15
RATE 5	6	VCCP 5	15
LOS 5	8	ID 5	18
VEER 5	9	ID 5	19
VEET 5	10	VEE 5	20

SFP10 CONNECTOR

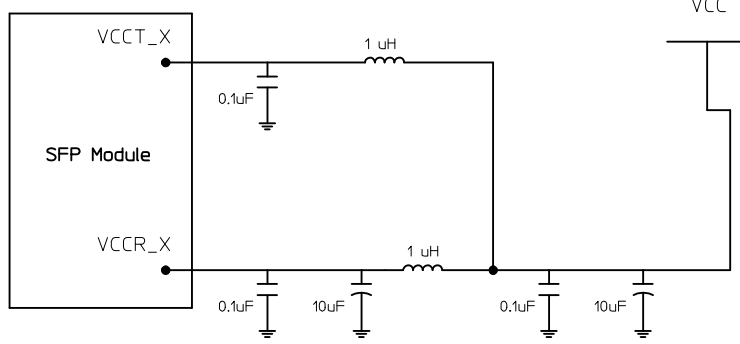
SIGNAL	PIN NO.	SIGNAL	PIN NO.
VEET 10	1	VEER 10	11
VXPL 10	2	RP 10	12
VXDS 10	3	RP 10	13
MDP 10	4	VEE 10	14
MDP 10	5	VCCP 10	15
RATE 10	6	VCCP 10	15
RATE 10	6	VCCP 10	15
LOS 10	8	ID 10	18
VEER 10	9	ID 10	19
VEET 10	10	VEE 10	20

NOTE:  
 -ALL VEET'S, VEER'S AND NC'S ARE CONNECTED TO GND.  
 -ALL VCCP'S AND VCCR'S ARE CONNECTED TO POWER FILTERING (SEE SCHEMATIC).  
 -ALL SFP CONNECTORS HAVE A POWER FILTER.  
 -SFP CAGES ARE CONNECTED TO CHASSIS GND.



795275006 STACKED SFP POWER FILTERING SCHEMATIC DIAGRAM

Filter according to SFP MSA.  
 Inductor minimum current 300mA, maximum DCR 0.55 OHM.



REVISION CONTROL

REV	DATE	DESCRIPTION OF CHANGE
1	2007/09/03	NEW RELEASE
2	2007/05/02	CHANGED PORT NUMBERING
3	2007/07/18	REVISION BLOCK ADDED
		HOT CONNECTOR PIN NUMBERING SEQUENCE ADDED
		RECOMMENDED TORQUE SPECIFIED, TYPO NOTES CORRECTED.
		SFP PORT SIGNALS NAMED UPDATED
4	2008/08/04	STANDOFF CHANGED, SCREWS AND WASHERS FOR STANDOFF ADDED
		RECOMMENDED LAYOUT UPDATED, EMI GASKET REMOVED
5	2009/04/28	STANDOFF CHANGED, SCREWS AND WASHERS FOR STANDOFF REMOVED
		NOTES AND DIMENSIONS UPDATED ACCORDING TO MOLEX STANDARD
6	2009/07/31	POWER FILTER INDUCTOR REQUIREMENTS ADDED

ENTER DESCRIPTION  
 EC NO: MEX2010-0012  
 DRAWN: RUBIO  
 CHKD: JSABATH  
 APPR: JSABATH

QUALITY SYMBOLS  
 ▽=0  
 ▽=0

GENERAL TOLERANCES (UNLESS SPECIFIED)

	mm	INCH
4 PLACES ±	---	±---
3 PLACES ±	---	±---
2 PLACES ±	0.25	±---
1 PLACE ±	0.25	±---

ANGULAR ±---°

DRAFT WHERE APPLICABLE MUST REMAIN WITHIN DIMENSIONS

MM ONLY

DRAWN BY DATE  
 LRUBIO 2006/03/09

CHECKED BY DATE  
 JSABATH 2006/03/09

APPROVED BY DATE  
 ELOPEZ 2006/03/09

MATERIAL NO.  
**795275006**

SIZE  
 C

SCALE 1:1  
 DESIGN UNITS METRIC  
 THIRD ANGLE PROJECTION

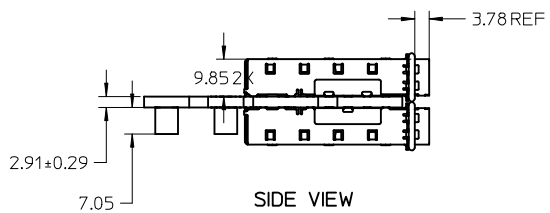
TITLE  
**2 X 5 STACKED SFP ASSY.  
 ATCA CHASSIS**

MOLEX MOLEX INCORPORATED

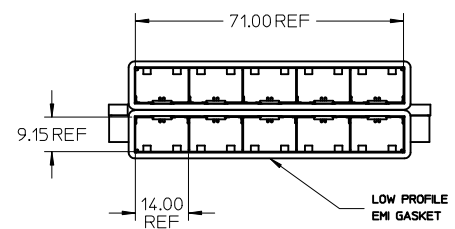
DOCUMENT NO.  
**SD-79527-5006**

SHEET NO.  
 2 OF 2

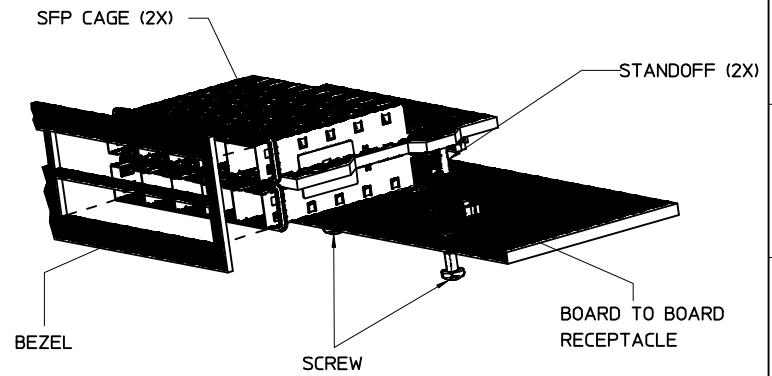
THIS DRAWING CONTAINS INFORMATION THAT IS PROPRIETARY TO MOLEX INCORPORATED AND SHOULD NOT BE USED WITHOUT WRITTEN PERMISSION



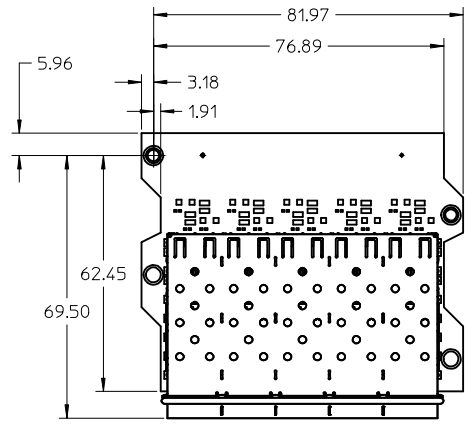
SIDE VIEW



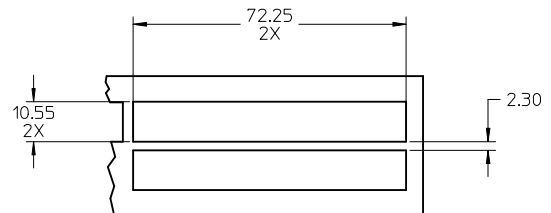
FRONT VIEW



ASSEMBLY PROCESS



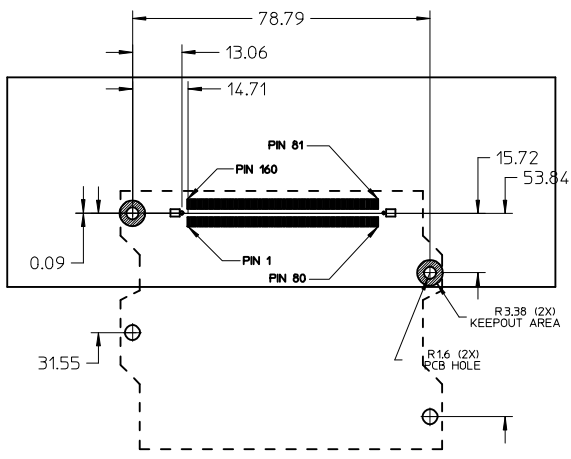
TOP VIEW



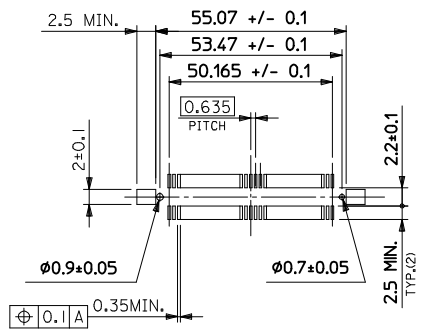
RECOMMENDED BEZEL CUTOUT

NOTES:

- 1.- ASSEMBLY ACCORDING TO IPC-A-610 CLASS 2.
- 2.- ROHS COMPLIANT ASSEMBLY.
- 3.- USE SCREW LENGTH 2-5 mm PLUS MOTHER BOARD THICKNESS.
- 4.- STANDOFF THREAD TO USE M3 SCREW, RECOMMENDED TORQUE 5 LB/IN +/- 0.5 LB/IN.
- 5.- RECOMMENDED CONNECTOR TO USE ON MOTHER BOARD, MOLEX P/N: 528851674.
- 6.- SFP CONNECTOR MOLEX P/N 744410001.
- 7.- FOR RECOMMENDED BEZEL DETAILS SEE CAGE DRAWING MOLEX P/N 747230001.
- 8.- FRONTAL HOLES CAN BE USED TO HOLD THE MODULE TO CHASSIS AND IMPROVE RETENTION WHEN USING A PROPER HEIGHT STANDOFF.



RECOMMENDED HOST BOARD LAYOUT



<b>ENTER DESCRIPTION</b> EC NO: MEX2010-0012 DRAWN: LRUB10 2009/08/04 CHKD: 2009/08/04 APPR: JSABATH 2009/08/05	<b>QUALITY SYMBOLS</b> ▽=0 ▽=0	<b>GENERAL TOLERANCES (UNLESS SPECIFIED)</b>		<b>DIMENSION STYLE</b> MM ONLY	<b>SCALE</b> 1:1	<b>DESIGN UNITS</b> METRIC	THIRD ANGLE PROJECTION		
		4 PLACES ± --- ± --- 3 PLACES ± --- ± --- 2 PLACES ± 0.25 ± --- 1 PLACE ± 0.25 ± ---	mm INCH ± --- ± --- ± --- ± --- ± --- ± ---	DRAWN BY DATE LRUB10 2006/03/09	CHECKED BY DATE JSABATH 2006/03/09	<b>TITLE</b> 2 X 5 STACKED SFP ASSY. ATCA CHASSIS			
		ANGULAR ± --- °		APPROVED BY DATE ELOPEZ 2006/03/09	<b>MATERIAL NO.</b> 795275006				
		DRAFT WHERE APPLICABLE MUST REMAIN WITHIN DIMENSIONS		DOCUMENT NO. SD-79527-5006	<b>SHEET NO.</b> 1 OF 2				

THIS DRAWING CONTAINS INFORMATION THAT IS PROPRIETARY TO MOLEX INCORPORATED AND SHOULD NOT BE USED WITHOUT WRITTEN PERMISSION

FEMALE RECEPTACLE BOARD TO BOARD CONNECTOR

SIGNAL	PIN NO.	SIGNAL	PIN NO.
VEET 1	80	VCCP 1	81
ID 1	78	VXPL 1	82
VEER 2	76	VXPL 1	83
RD 4	74	MDP2 1	85
MDP 1	72	MDP 1	87
MDP 2	70	MDP 2	89
MDP 3	68	MDP 3	91
MDP 4	66	MDP 4	93
MDP 5	64	MDP 5	95
MDP 6	62	MDP 6	97
MDP 7	60	MDP 7	99
MDP 8	58	MDP 8	101
MDP 9	56	MDP 9	103
MDP 10	54	MDP 10	105
MDP 11	52	MDP 11	107
MDP 12	50	MDP 12	109
MDP 13	48	MDP 13	111
MDP 14	46	MDP 14	113
MDP 15	44	MDP 15	115
MDP 16	42	MDP 16	117
MDP 17	40	MDP 17	119
MDP 18	38	MDP 18	121
MDP 19	36	MDP 19	123
MDP 20	34	MDP 20	125
MDP 21	32	MDP 21	127
MDP 22	30	MDP 22	129
MDP 23	28	MDP 23	131
MDP 24	26	MDP 24	133
MDP 25	24	MDP 25	135
MDP 26	22	MDP 26	137
MDP 27	20	MDP 27	139
MDP 28	18	MDP 28	141
MDP 29	16	MDP 29	143
MDP 30	14	MDP 30	145
MDP 31	12	MDP 31	147
MDP 32	10	MDP 32	149
MDP 33	8	MDP 33	151
MDP 34	6	MDP 34	153
MDP 35	4	MDP 35	155
MDP 36	2	MDP 36	157
MDP 37	1	MDP 37	159
MDP 38	1	MDP 38	161
MDP 39	1	MDP 39	163
MDP 40	1	MDP 40	165
MDP 41	1	MDP 41	167
MDP 42	1	MDP 42	169
MDP 43	1	MDP 43	171
MDP 44	1	MDP 44	173
MDP 45	1	MDP 45	175
MDP 46	1	MDP 46	177
MDP 47	1	MDP 47	179
MDP 48	1	MDP 48	181
MDP 49	1	MDP 49	183
MDP 50	1	MDP 50	185
MDP 51	1	MDP 51	187
MDP 52	1	MDP 52	189
MDP 53	1	MDP 53	191
MDP 54	1	MDP 54	193
MDP 55	1	MDP 55	195
MDP 56	1	MDP 56	197
MDP 57	1	MDP 57	199
MDP 58	1	MDP 58	201
MDP 59	1	MDP 59	203
MDP 60	1	MDP 60	205
MDP 61	1	MDP 61	207
MDP 62	1	MDP 62	209
MDP 63	1	MDP 63	211
MDP 64	1	MDP 64	213
MDP 65	1	MDP 65	215
MDP 66	1	MDP 66	217
MDP 67	1	MDP 67	219
MDP 68	1	MDP 68	221
MDP 69	1	MDP 69	223
MDP 70	1	MDP 70	225
MDP 71	1	MDP 71	227
MDP 72	1	MDP 72	229
MDP 73	1	MDP 73	231
MDP 74	1	MDP 74	233
MDP 75	1	MDP 75	235
MDP 76	1	MDP 76	237
MDP 77	1	MDP 77	239
MDP 78	1	MDP 78	241
MDP 79	1	MDP 79	243
MDP 80	1	MDP 80	245
MDP 81	1	MDP 81	247
MDP 82	1	MDP 82	249
MDP 83	1	MDP 83	251
MDP 84	1	MDP 84	253
MDP 85	1	MDP 85	255
MDP 86	1	MDP 86	257
MDP 87	1	MDP 87	259
MDP 88	1	MDP 88	261
MDP 89	1	MDP 89	263
MDP 90	1	MDP 90	265
MDP 91	1	MDP 91	267
MDP 92	1	MDP 92	269
MDP 93	1	MDP 93	271
MDP 94	1	MDP 94	273
MDP 95	1	MDP 95	275
MDP 96	1	MDP 96	277
MDP 97	1	MDP 97	279
MDP 98	1	MDP 98	281
MDP 99	1	MDP 99	283
MDP 100	1	MDP 100	285
MDP 101	1	MDP 101	287
MDP 102	1	MDP 102	289
MDP 103	1	MDP 103	291
MDP 104	1	MDP 104	293
MDP 105	1	MDP 105	295
MDP 106	1	MDP 106	297
MDP 107	1	MDP 107	299
MDP 108	1	MDP 108	301
MDP 109	1	MDP 109	303
MDP 110	1	MDP 110	305
MDP 111	1	MDP 111	307
MDP 112	1	MDP 112	309
MDP 113	1	MDP 113	311
MDP 114	1	MDP 114	313
MDP 115	1	MDP 115	315
MDP 116	1	MDP 116	317
MDP 117	1	MDP 117	319
MDP 118	1	MDP 118	321
MDP 119	1	MDP 119	323
MDP 120	1	MDP 120	325
MDP 121	1	MDP 121	327
MDP 122	1	MDP 122	329
MDP 123	1	MDP 123	331
MDP 124	1	MDP 124	333
MDP 125	1	MDP 125	335
MDP 126	1	MDP 126	337
MDP 127	1	MDP 127	339
MDP 128	1	MDP 128	341
MDP 129	1	MDP 129	343
MDP 130	1	MDP 130	345
MDP 131	1	MDP 131	347
MDP 132	1	MDP 132	349
MDP 133	1	MDP 133	351
MDP 134	1	MDP 134	353
MDP 135	1	MDP 135	355
MDP 136	1	MDP 136	357
MDP 137	1	MDP 137	359
MDP 138	1	MDP 138	361
MDP 139	1	MDP 139	363
MDP 140	1	MDP 140	365
MDP 141	1	MDP 141	367
MDP 142	1	MDP 142	369
MDP 143	1	MDP 143	371
MDP 144	1	MDP 144	373
MDP 145	1	MDP 145	375
MDP 146	1	MDP 146	377
MDP 147	1	MDP 147	379
MDP 148	1	MDP 148	381
MDP 149	1	MDP 149	383
MDP 150	1	MDP 150	385
MDP 151	1	MDP 151	387
MDP 152	1	MDP 152	389
MDP 153	1	MDP 153	391
MDP 154	1	MDP 154	393
MDP 155	1	MDP 155	395
MDP 156	1	MDP 156	397
MDP 157	1	MDP 157	399
MDP 158	1	MDP 158	401
MDP 159	1	MDP 159	403
MDP 160	1	MDP 160	405
MDP 161	1	MDP 161	407
MDP 162	1	MDP 162	409
MDP 163	1	MDP 163	411
MDP 164	1	MDP 164	413
MDP 165	1	MDP 165	415
MDP 166	1	MDP 166	417
MDP 167	1	MDP 167	419
MDP 168	1	MDP 168	421
MDP 169	1	MDP 169	423
MDP 170	1	MDP 170	425
MDP 171	1	MDP 171	427
MDP 172	1	MDP 172	429
MDP 173	1	MDP 173	431
MDP 174	1	MDP 174	433
MDP 175	1	MDP 175	435
MDP 176	1	MDP 176	437
MDP 177	1	MDP 177	439
MDP 178	1	MDP 178	441
MDP 179	1	MDP 179	443
MDP 180	1	MDP 180	445
MDP 181	1	MDP 181	447
MDP 182	1	MDP 182	449
MDP 183	1	MDP 183	451
MDP 184	1	MDP 184	453
MDP 185	1	MDP 185	455
MDP 186	1	MDP 186	457
MDP 187	1	MDP 187	459
MDP 188	1	MDP 188	461
MDP 189	1	MDP 189	463
MDP 190	1	MDP 190	465
MDP 191	1	MDP 191	467
MDP 192	1	MDP 192	469
MDP 193	1	MDP 193	471
MDP 194	1	MDP 194	473
MDP 195	1	MDP 195	475
MDP 196	1	MDP 196	477
MDP 197	1	MDP 197	479
MDP 198	1	MDP 198	481
MDP 199	1	MDP 199	483
MDP 200	1	MDP 200	485
MDP 201	1	MDP 201	487
MDP 202	1	MDP 202	489
MDP 203	1	MDP 203	491
MDP 204	1	MDP 204	493
MDP 205	1	MDP 205	495
MDP 206	1	MDP 206	497
MDP 207	1	MDP 207	499
MDP 208	1	MDP 208	501
MDP 209	1	MDP 209	503
MDP 210	1	MDP 210	505
MDP 211	1	MDP 211	507
MDP 212	1	MDP 212	509
MDP 213	1	MDP 213	511
MDP 214	1	MDP 214	513
MDP 215	1	MDP 215	515
MDP 216	1	MDP 216	517
MDP 217	1	MDP 217	519
MDP 218	1	MDP 218	521
MDP 219	1	MDP 219	523
MDP 220	1	MDP 220	525
MDP 221	1	MDP 221	527
MDP 222	1	MDP 222	529
MDP 223	1	MDP 223	531
MDP 224	1	MDP 224	533
MDP 225	1	MDP 225	535
MDP 226	1	MDP 226	537
MDP 227	1	MDP 227	539
MDP 228	1	MDP 228	541
MDP 229	1	MDP 229	543
MDP 230	1	MDP 230	545
MDP 231	1	MDP 231	547
MDP 232	1	MDP 232	549
MDP 233	1	MDP 233	551
MDP 234	1	MDP 234	553
MDP 235	1	MDP 235	555
MDP 236	1	MDP 236	557
MDP 237	1	MDP 237	559
MDP 238	1	MDP 238	561
MDP 239	1	MDP 239	563
MDP 240	1	MDP 240	565
MDP 241	1	MDP 241	567
MDP 242	1	MDP 242	569
MDP 243	1	MDP 243	571
MDP 244	1	MDP 244	573
MDP 245	1	MDP 245	575
MDP 246	1	MDP 246	577
MDP 247	1	MDP 247	579
MDP 248	1	MDP 248	581
MDP 249	1	MDP 249	583
MDP 250	1	MDP 250	585
MDP 251	1	MDP 251	587
MDP 252	1	MDP 252	589
MDP 253	1	MDP 253	591
MDP 254	1	MDP 254	593
MDP 255	1	MDP 255	595
MDP 256	1	MDP 256	597
MDP 257	1	MDP 257	599
MDP 258	1	MDP 258	601
MDP 259	1	MDP 259	603
MDP 260	1	MDP 260	605
MDP 261	1	MDP 261	607
MDP 262	1	MDP 262	609
MDP 263	1	MDP 263	611
MDP 264	1	MDP 264	613
MDP 265	1	MDP 265	615
MDP 266	1	MDP 266	617
MDP 267	1	MDP 267	619
MDP 268	1	MDP 268	621
MDP 269	1	MDP 269	623
MDP 270	1	MDP 270	625
MDP 271	1	MDP 271	627
MDP 272	1	MDP 272	629
MDP 273	1	MDP 273	631
MDP 274	1	MDP 274	633
MDP 275	1	MDP 275	635
MDP 276	1	MDP 276	637
MDP 277	1	MDP 277	639
MDP 278	1	MDP 278	641
MDP 279	1	MDP 279	643
MDP 280	1	MDP 280	645
MDP 281	1	MDP 281	647
MDP 282	1	MDP 282	649
MDP 283	1	MDP 283	651
MDP 284	1	MDP 284	653
MDP 285	1	MDP 285	655
MDP 286	1	MDP 286	657
MDP 287	1	MDP 287	659
MDP 288	1	MDP 288	661
MDP 289	1	MDP 289	663
MDP 290	1	MDP 290	665
MDP 291	1	MDP 291	667
MDP 292	1	MDP 292	669
MDP 293	1	MDP 293	671
MDP 294	1	MDP 294	673
MDP 295	1	MDP 295	675
MDP 296	1	MDP 296	677
MDP 297	1	MDP 297	679
MDP 298	1	MDP 298	681
MDP 299	1	MDP 299	683
MDP 300	1	MDP 300	685