

4

3

2

1

THIS DRAWING IS UNPUBLISHED.

RELEASED FOR PUBLICATION

20

REVISIONS

© COPYRIGHT 20 BY - ALL RIGHTS RESERVED.

| P | LTR | DESCRIPTION | DATE | DWN | APVD |
|----|-----|-------------------------|------------|-----|------|
| A1 | | REVISED (ECR-13-010882) | 11.DEC.'13 | JM | HG |
| A2 | | REVISED (ECR-14-008729) | 05.JUN.'14 | JM | HG |
| A3 | | REVISED (ECR-20-009291) | 30JUN2020 | JH | YJ |
| A4 | | REVISED (ECR-23-174858) | 10MAY2023 | YH | KT |

ISO VIEW

NOTE,
 1. GENERAL TOLERANCE : $\pm 0.3, \pm 3^\circ$
 2. CONDITION OF DELIVERY : DBL PLATE AND CPA HSG IN OPEN POSITION. BUT DBL PLATES OF 9-2109441-2 & 9-2109441-1 POSITION IS CLOSE.
 3. CODING
 4. APPLIED RECEPTACLE CONTACT P/N:SEE TABLE I
 5. MATING PART INTERFACE DRAWING : 114-61047
 6. INSTRUCTION SHEET : 411-61012

| DESCRIPTION | CAVITY | CODE | REV | ASS'Y P/N |
|-------------|--------|------|-----|-------------|
| ALL CLOSED | Z | A | A | 9-2109441-1 |
| 4P OPENED | A | A | A | 9-2109441-2 |
| ALL OPENED | D | A | A | 3-2109441-9 |
| 6P OPENED | D | A | A | 3-2109441-8 |
| 6P OPENED | C | A | A | 3-2109441-1 |
| 4P OPENED | C | A | A | 2-2109441-5 |
| ALL OPENED | C | A | A | 2-2109441-4 |
| ALL OPENED | B | A | A | 2-2109441-3 |
| ALL OPENED | B | A | A | 1-2109441-1 |
| 2P OPENED | A | A | A | 0-2109441-6 |
| 7P OPENED | A | A | A | 0-2109441-5 |
| 4P OPENED | A | A | A | 0-2109441-4 |
| 2P OPENED | A | A | A | 0-2109441-3 |
| ALL OPENED | A | A | A | 0-2109441-2 |

| NO | FINISH/ COLOR | MATERIAL | CODE | CAVITY | REV | Q'TY |
|----|---------------|----------|------------------|------------|-----|------|
| 4 | RED ORANGE | SILICONE | INNER SEAL | | A | |
| 3 | TRAFFIC RED | PBT-GF10 | CPA HSG | | A | |
| 2 | TRAFFIC RED | PBT-GF30 | DBL HSG | | A | |
| 1 | NATURAL | PBT-GF20 | PLUG HSG(CODE Z) | ALL CLOSED | A | |
| | BLACK | | PLUG HSG(CODE A) | ALL CLOSED | A | |
| | LIGHT BLUE | | PLUG HSG(CODE D) | 4P OPENED | A | |
| | | | PLUG HSG(CODE D) | ALL OPENED | A | |
| | LIGHT GRAY | | PLUG HSG(CODE D) | 6P OPENED | A | |
| | | | PLUG HSG(CODE C) | 6P OPENED | A | |
| | BLACK | | PLUG HSG(CODE C) | 4P OPENED | A | |
| | | | PLUG HSG(CODE C) | ALL OPENED | A | |
| | | | PLUG HSG(CODE B) | ALL OPENED | A | |
| | | | PLUG HSG(CODE A) | 2P OPENED | A | |
| | | | PLUG HSG(CODE A) | 7P OPENED | A | |
| | | | PLUG HSG(CODE A) | 4P OPENED | A | |
| | | | PLUG HSG(CODE A) | 2P OPENED | A | |
| | | | PLUG HSG(CODE A) | ALL OPENED | A | |

TABLE I

| CONTACT NAME | WIRE SIZE RANGE(mm ²) | DIAMETER OF INSULATION (mm) | P/N | WIRE SEAL | CAVITY PLUG |
|--------------|-----------------------------------|-----------------------------|--------|-----------|-------------|
| MCP 2.8 | 0.35 | ∅1.2~∅1.4 | 968882 | 828904-1 | 828922-1 |
| | 0.5~1.0 | ∅1.4~∅2.1 | 968855 | | |
| | 1.5~2.5 | ∅2.2~∅3.0 | 968857 | | |

THIS DRAWING IS A CONTROLLED DOCUMENT.

DWN
JM JEONCHK
JW JUNGAPVD
HG CHOPRODUCT SPEC
108-61165APPLICATION SPEC
411-61012WEIGHT
-

CUSTOMER DRAWING

DIMENSIONS:
mmTOLERANCES UNLESS OTHERWISE SPECIFIED:
SEE NOTE

3rd ANGLE PROJECTION

| | |
|--------|---|
| PLC | ± |
| 1 PLC | ± |
| 2 PLC | ± |
| 3 PLC | ± |
| 4 PLC | ± |
| ANGLES | ± |
| FINISH | - |

SEE TABLE

TE Connectivity

NAME
MCP 2.8mm 8P PLUG ASS'Y

SIZE CAGE CODE DRAWING NO RESTRICTED TO

A3 00779 C-2109441

SCALE 1:1 SHEET 1 OF 2 REV A4

1470-19 (3/13)

THIS DRAWING IS UNPUBLISHED.

RELEASED FOR PUBLICATION

20

© COPYRIGHT 20 BY -

ALL RIGHTS RESERVED.

REVISIONS

| P | LTR | DESCRIPTION | DATE | DWN | APVD |
|---|-----|-------------|------|-----|------|
| - | - | SEE SHEET 1 | - | - | - |

3

CODING

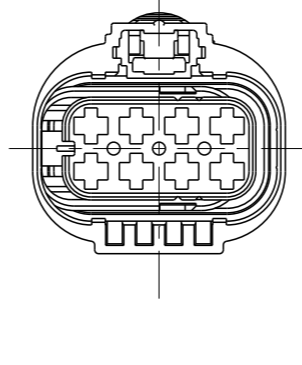
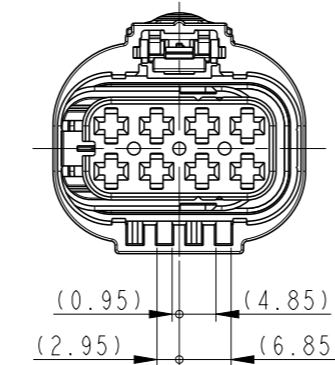
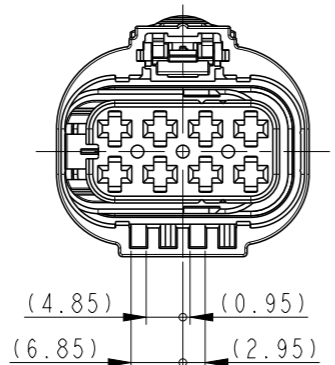
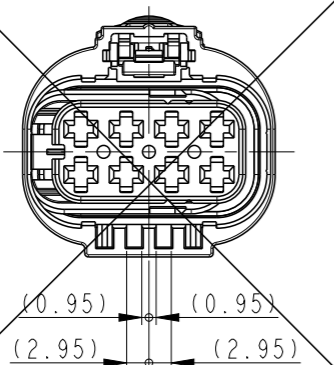
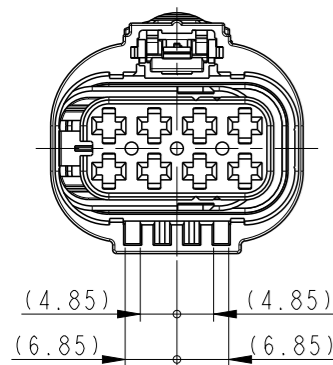
CODING "A"

CODING "B"

CODING "C"

CODING "D"

CODING "Z"



① CIRCUIT ARRANGEMENT FOR PARTICULAR TYPE

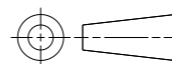
| 0-2109441-3 | 0-2109441-4 | A3 0-2109441-5 | A3 0-2109441-6 |
|-------------|-------------|----------------|----------------|
| | | | |
| 2-2109441-4 | 2-2109441-5 | | |
| | | | |
| 3-2109441-1 | 3-2109441-9 | 9-2109441-1 | 9-2109441-2 |
| | | | |

① <CIRCUIT ARRANGEMENT INDICATES UNAVAILABLE (BLOCKED) CIRCUIT>

| CAVITY | CODE | P/N | 1 | 2 | 3 | 4 | 5 | 6 | 7 | 8 | REV |
|--------------|------------|-------------|---|---|---|---|---|---|---|---|-----|
| | | | CIRCUIT ARRANGEMENT INDICATES UNAVAILABLE (BLOCKED) CIRCUIT | | | | | | | | |
| ALL CLOSED | CODING "Z" | 9-2109441-1 | X | X | X | X | X | X | X | X | A |
| | CODING "A" | 9-2109441-2 | X | X | X | X | X | X | X | X | A |
| 4P OPENED | CODING "D" | 3-2109441-9 | ○ | X | X | ○ | ○ | ○ | X | X | A |
| ALL OPENED | | 3-2109441-8 | ○ | ○ | ○ | ○ | ○ | ○ | ○ | ○ | A |
| 6P OPENED | | 3-2109441-1 | X | X | ○ | ○ | ○ | ○ | ○ | ○ | A |
| 6P OPENED | CODING "C" | 2-2109441-5 | ○ | ○ | ○ | ○ | ○ | ○ | X | X | A |
| 4P OPENED | | 2-2109441-4 | ○ | X | X | ○ | ○ | X | X | ○ | A |
| ALL OPENED | | 2-2109441-3 | ○ | ○ | ○ | ○ | ○ | ○ | ○ | ○ | A |
| ALL OPENED | CODING "B" | 1-2109441-1 | ○ | ○ | ○ | ○ | ○ | ○ | ○ | ○ | A |
| A3 2P OPENED | CODING "A" | 0-2109441-6 | X | X | X | X | ○ | ○ | X | X | A |
| A3 7P OPENED | | 0-2109441-5 | X | ○ | ○ | ○ | ○ | ○ | ○ | ○ | A |
| 4P OPENED | | 0-2109441-4 | X | X | ○ | ○ | ○ | ○ | X | X | A |
| 2P OPENED | | 0-2109441-3 | X | X | X | ○ | X | X | ○ | X | A |
| ALL OPENED | | 0-2109441-2 | ○ | ○ | ○ | ○ | ○ | ○ | ○ | ○ | A |

THIS DRAWING IS A CONTROLLED DOCUMENT.

DIMENSIONS: mm



MATERIAL SEE TABLE SHEET 1

TOLERANCES UNLESS OTHERWISE SPECIFIED:
0 PLC ±
1 PLC ±
2 PLC ±
3 PLC ±
4 PLC ±
ANGLES ±
FINISH -

| |
|---------------------------------|
| DWN |
| CHK |
| APV SEE SHEET 2 OF 2 |
| PRODUCT SPEC |
| APPLICATION SPEC |
| WEIGHT |
| CUSTOMER DRAWING |



NAME MCP 2.8mm 8P PLUG ASS'Y

SIZE A3 CAGE CODE - DRAWING NO C-2109441 RESTRICTED TO -

SCALE 1:1 SHEET 2 OF 2 REV A4