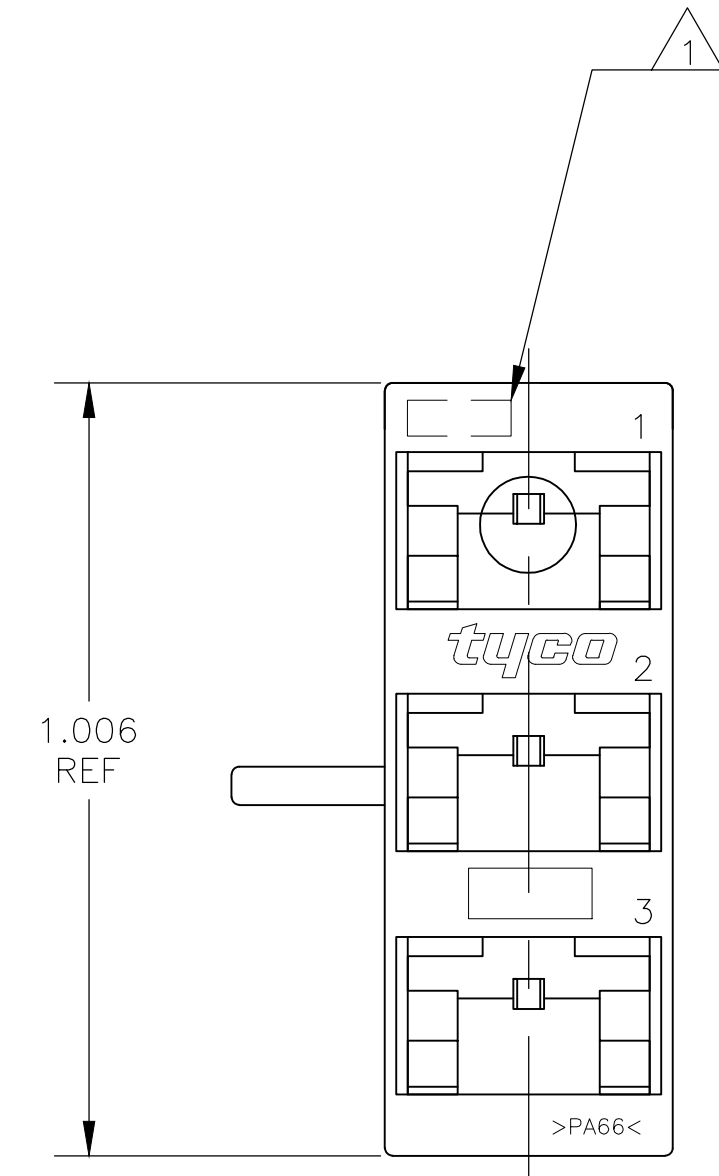
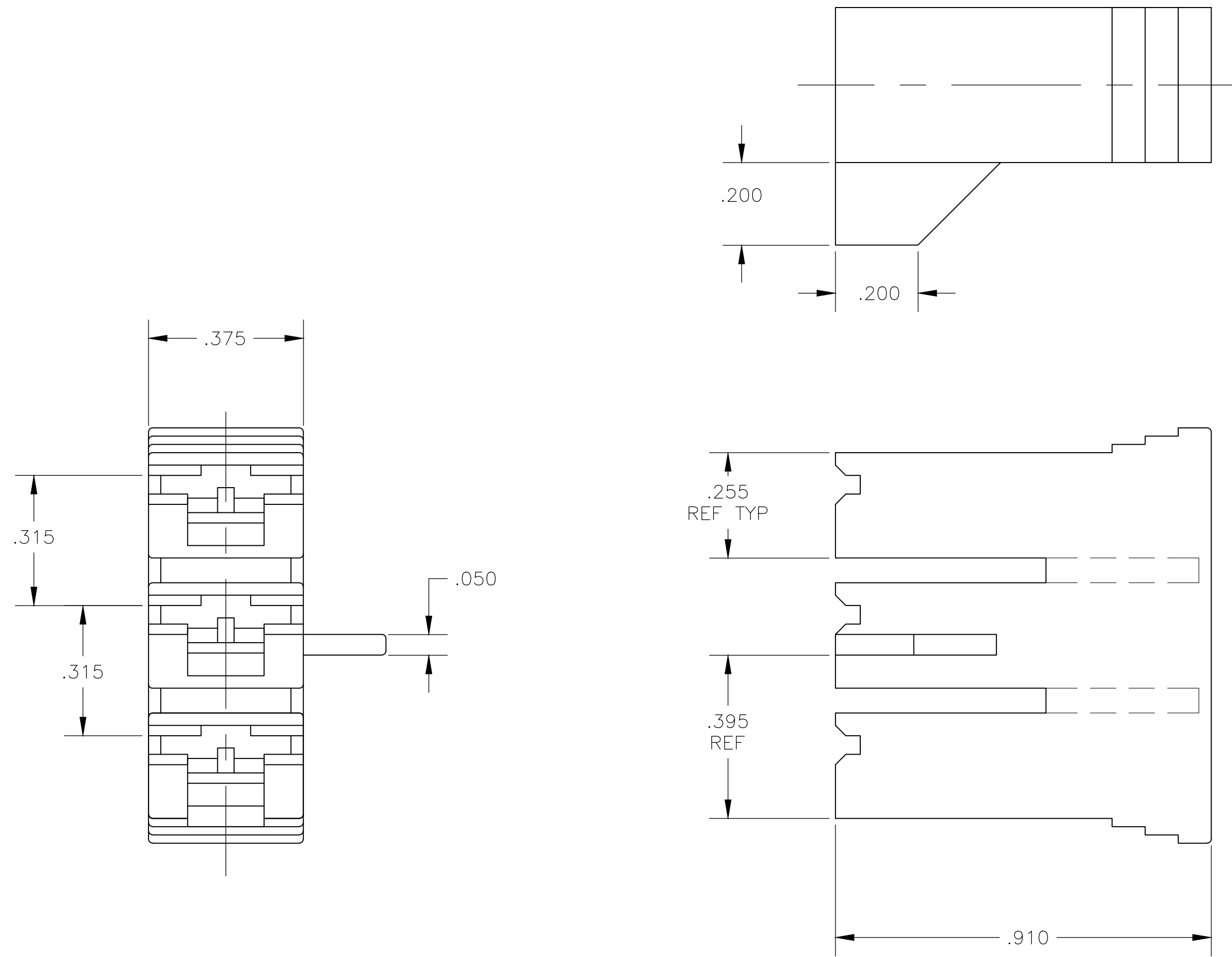


THIS DRAWING IS UNPUBLISHED. RELEASED FOR PUBLICATION
 © COPYRIGHT - TE Connectivity Ltd. ALL RIGHTS RESERVED.

REVISIONS					
P	LTR	DESCRIPTION	DATE	DWN	APVD
B		REVISED PER ECR-19-012753	04SEP2019	BH	E.W

△ 1 COUNTRY OF ORIGIN.



OBSOLETE 521825-1
 PART NO

THIS DRAWING IS A CONTROLLED DOCUMENT.		DWN jr_ruth 07JUN05																						
DIMENSIONS: INCHES		CHK P_DESANTIS 07JUN05																						
TOLERANCES UNLESS OTHERWISE SPECIFIED:		APVD P_DESANTIS 07JUN05	NAME HOUSING, RECEPTACLE, FASTON, .250 SERIES, 3 POSITION																					
<table border="0"> <tr><td>0 PLC</td><td>±</td><td>-</td></tr> <tr><td>1 PLC</td><td>±</td><td>-</td></tr> <tr><td>2 PLC</td><td>±</td><td>-</td></tr> <tr><td>3 PLC</td><td>±</td><td>.010</td></tr> <tr><td>4 PLC</td><td>±</td><td>-</td></tr> <tr><td>ANGLES</td><td>±</td><td>5°</td></tr> </table>		0 PLC	±	-	1 PLC	±	-	2 PLC	±	-	3 PLC	±	.010	4 PLC	±	-	ANGLES	±	5°	PRODUCT SPEC -	SIZE A2	CAGE CODE 00779	DRAWING NO C=521825	RESTRICTED TO -
0 PLC	±	-																						
1 PLC	±	-																						
2 PLC	±	-																						
3 PLC	±	.010																						
4 PLC	±	-																						
ANGLES	±	5°																						
MATERIAL 6/6 NYLON, V2		FINISH NATURAL	WEIGHT -	CUSTOMER DRAWING		SCALE 1:1	SHEET 1 of 1	REV B																