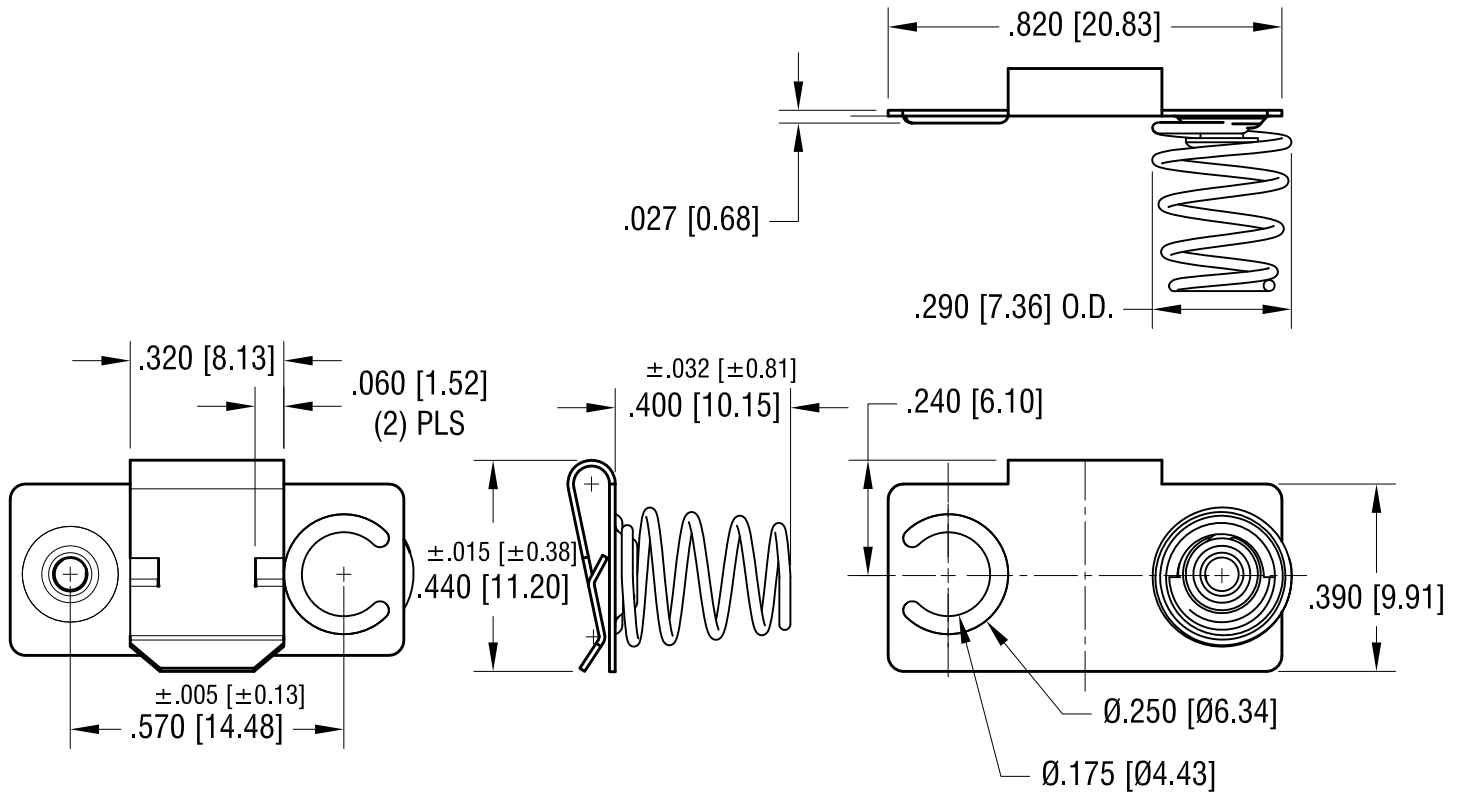
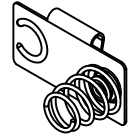


THIS DOCUMENT IS THE PROPERTY OF
KEYSTONE ELECTRONICS CORP. AND
SHALL NOT BE REPRODUCED, DISTRIBUTED
OR USED AS A BASIS FOR MANUFACTURE
WITHOUT PRIOR WRITTEN PERMISSION
FROM KEYSTONE ELECTRONICS CORP.

ACTUAL SIZE



NOTES:

1. BASE:
MAT'L - .012 [0.30] TH'K SPRING STEEL
2. SPRING CONTACT:
MAT'L - .023 [0.58DIA. MUSIC WIRE
3. SPRING EYELETED TO BASE

| | | | |
|---|-----------------|-------------------------|------------|
| KEYSTONE ELECTRONICS CORP. | | | |
| www.keyelco.com • ASTORIA, N.Y. 11105-2017 • Tel (718) 956-8900 | | | |
| PART NAME | | M/F CONTACT FOR 'A'-AA' | |
| MATERIAL | | AS NOTED | |
| FINISH | | DRN BY | DATE |
| NICKEL PLATE | | NT | 3.31.16 |
| | | APP'D | SCALE |
| | | LN | 2.5X |
| TOLERANCES | INCH [MM] | CODE | DWG NO. |
| DECIMAL | ± .010 [± 0.25] | C | 293 |
| ANGULAR | ± 1° | | |
| UNLESS OTHERWISE SPECIFIED | | | |

| | | | |
|------|-------------|------|--|
| DATE | DESCRIPTION | REV. | |
|------|-------------|------|--|