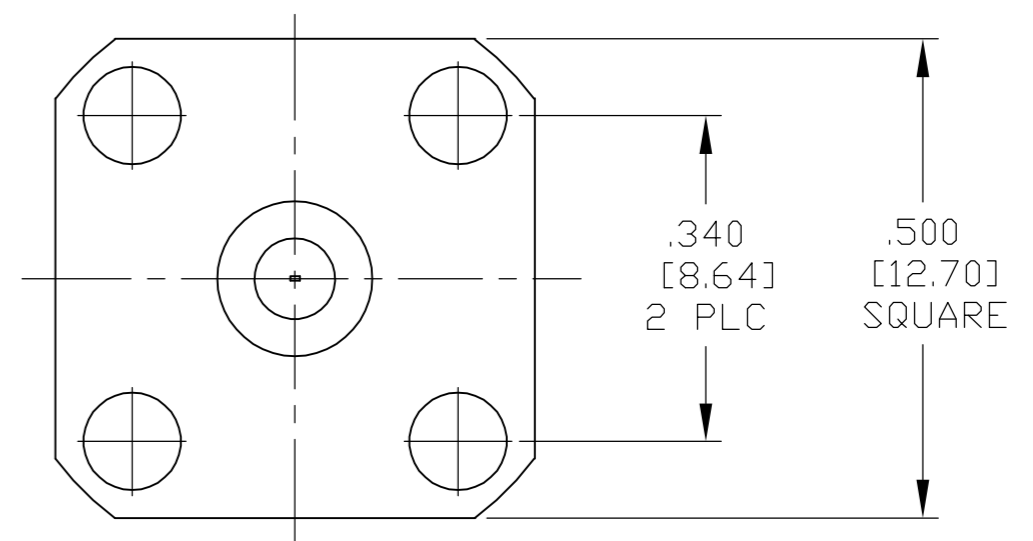
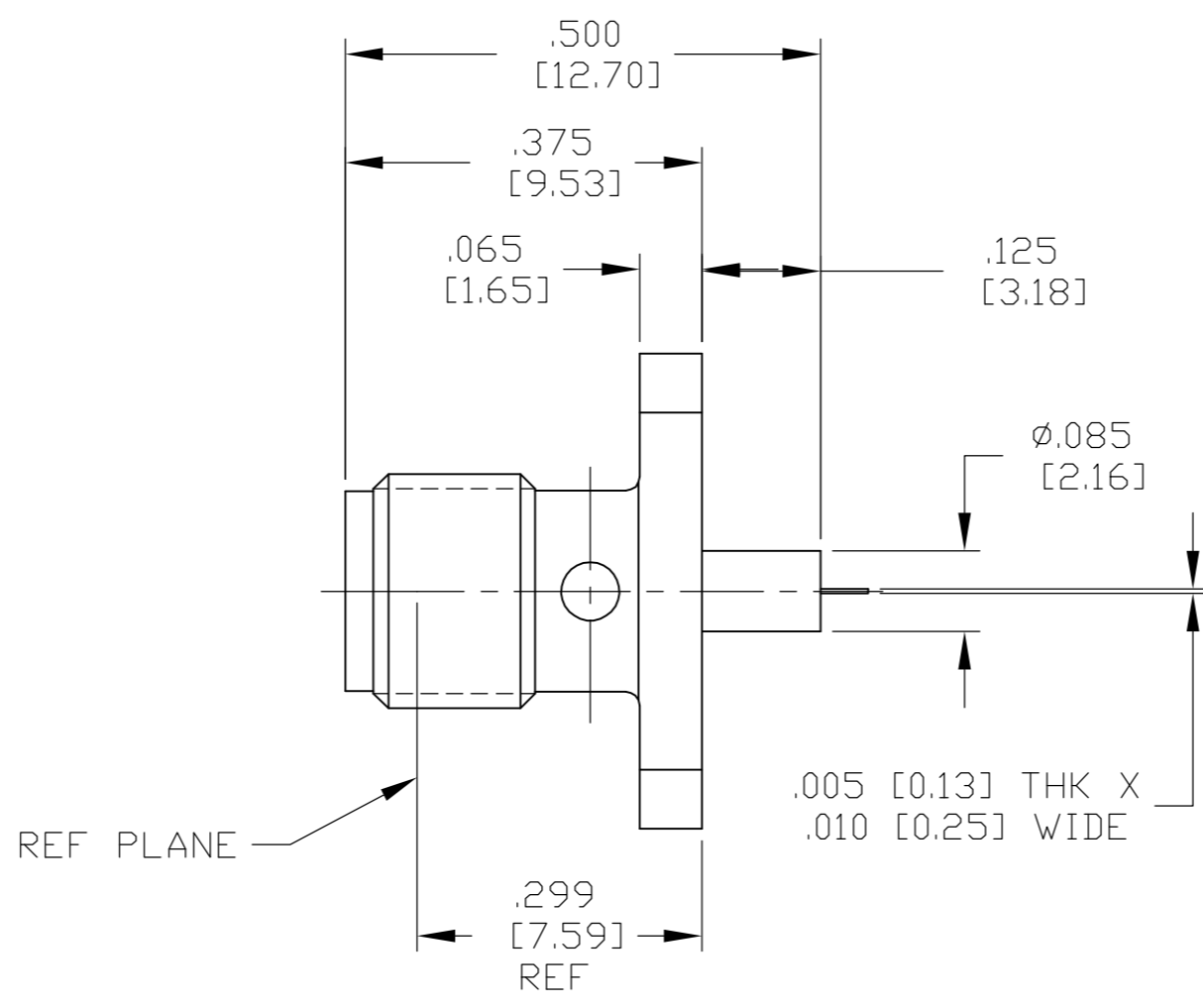


THIS DRAWING IS UNPUBLISHED. RELEASED FOR PUBLICATION - .N/A .  
 © COPYRIGHT N/A BY TYCO ELECTRONICS CORPORATION. ALL RIGHTS RESERVED.

LOC	DIST	REVISIONS					
DF	X0	P	LTR	DESCRIPTION	DATE	DWN	APVD
		A		RELEASED	10-2-06	CT	FB

COMPONENT	MATERIAL	FINISH
HOUSING	STAINLESS STEEL PER ASTM-A484 AND ASTM-A582, TYPE 303	PASSIVATE PER AMS-QQ-P-35
DIELECTRIC	PTFE FLUOROCARBON PER ASTM-D-1457	N/A
CENTER CONTACT	BERYLLIUM COPPER PER ASTM-B-196 OR ASTM-B-197, ALLOY C17300, CONDITION H	GOLD PLATE PER ASTM-B-488



ELECTRICAL	MECHANICAL	ENVIRONMENTAL
Nominal Impedance (Ohms) <u>50</u>	Interface Dimensions MIL-STD-348A, Fig. 310-2	TEMPERATURE RATING <u>-65°C TO +125°C</u>
Frequency Range (GHz) <u>DC to 18.0</u>	Recommended Mating Torque <u>7-10 IN-LBS</u>	Vibration MIL-STD-1344, Method 2005, Condition IV
Volt Rating (VRMS MAX) @ Sea Level <u>335</u>	Mating Characteristics: Insertion (MAX Lbs) <u>3.0</u>	Shock MIL-STD-1344, Method 2004, Condition G
VSWR <u>N/A</u>	Withdrawal (MIN Oz) <u>1.0</u>	Thermal Shock MIL-STD-1344, Method 1003, Condition A, EXCEPT HIGH TEMP +200°C
Insertion Loss (dB MAX) <u>N/A</u>	Force to Engage and Disengage (In-Lbs MAX) <u>2.0</u>	Moisture Resistance MIL-STD-202, Method 106
RF Leakage (dB MIN) <u>N/A</u>	Center Contact Captivation Axial (Lbs) <u>6.0</u>	Corrosion - MIL-STD-202, Method 101, Condition B, 5% salt spray
Corona, 70,000 Ft (VRMS MIN) <u>250</u>	Radial (In-Oz) <u>N/A</u>	
Dielectric Withstanding Voltage (VRMS MIN) @ Sea Level <u>1,000</u>	Cable Retention Axial Force (Lbs) <u>N/A</u>	
Contact Resistance (Milliohms MAX) Center Contact <u>3.0</u>	Torque (In-Oz) <u>N/A</u>	
Outer Contact <u>2.0</u>	Weight (Grams) <u>TBD</u>	
Cable to Housing <u>N/A</u>		
RF High Potential @ Sea Level (VRMS MIN @ 5 MHz) <u>670</u>		
I.R.(Megohms MIN) <u>10,000</u>		

1757662-1  
PART NUMBER

THIS DRAWING IS A CONTROLLED DOCUMENT.		DWN <u>C.C.THOMAS</u> 9-29-03	AMP Tyco Electronics Corporation Harrisburg, PA 17105-3608	
DIMENSIONS: INCHES		CHK <u>F.BLASICK</u> 10-2-06	NAME <u>SMA 4 HOLE FLANGE MOUNT JACK RECEPTACLE ASSY,TAB TERMINAL</u>	
TOLERANCES UNLESS OTHERWISE SPECIFIED:		APVD <u>F.BLASICK</u> 10-2-06	SIZE <u>A2</u> CAGE CODE <u>00779</u> DRAWING NO <u>C=1757662</u> RESTRICTED TO <u>-</u>	
0 PLC ± -		PRODUCT SPEC <u>-</u>	SCALE <u>5:1</u> SHEET <u>1 of 1</u> REV <u>A</u>	
1 PLC ± -		APPLICATION SPEC <u>-</u>	CUSTOMER DRAWING	
2 PLC ± -		WEIGHT <u>-</u>		
3 PLC ± .005 [0.13]				
4 PLC ± -				
ANGLES ± -				
FINISH				
SEE TABLE				