

THIS DRAWING IS UNPUBLISHED.

RELEASED FOR PUBLICATION DEC ,2001.

© COPYRIGHT 2001 By -

ALL RIGHTS RESERVED.

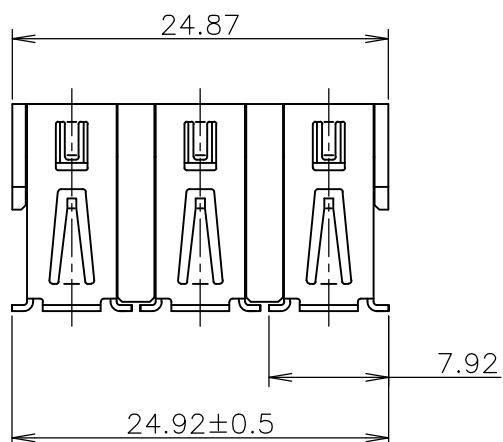
LOC	DIST
J	/

REVISIONS

変更

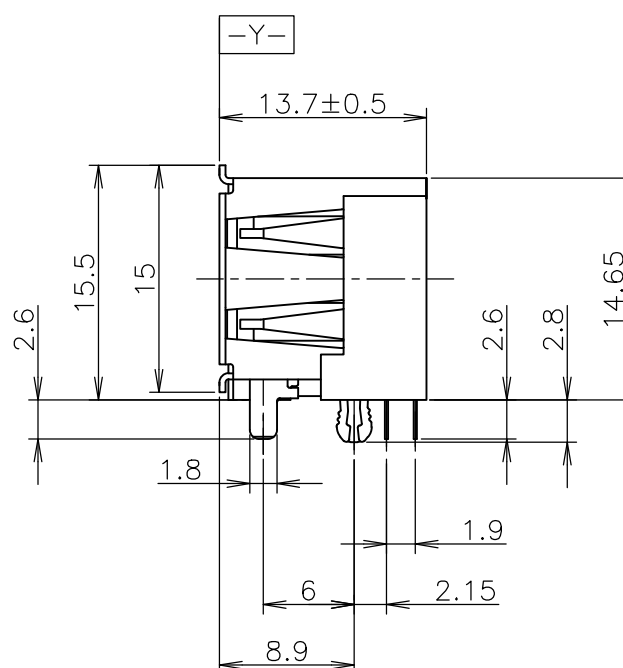
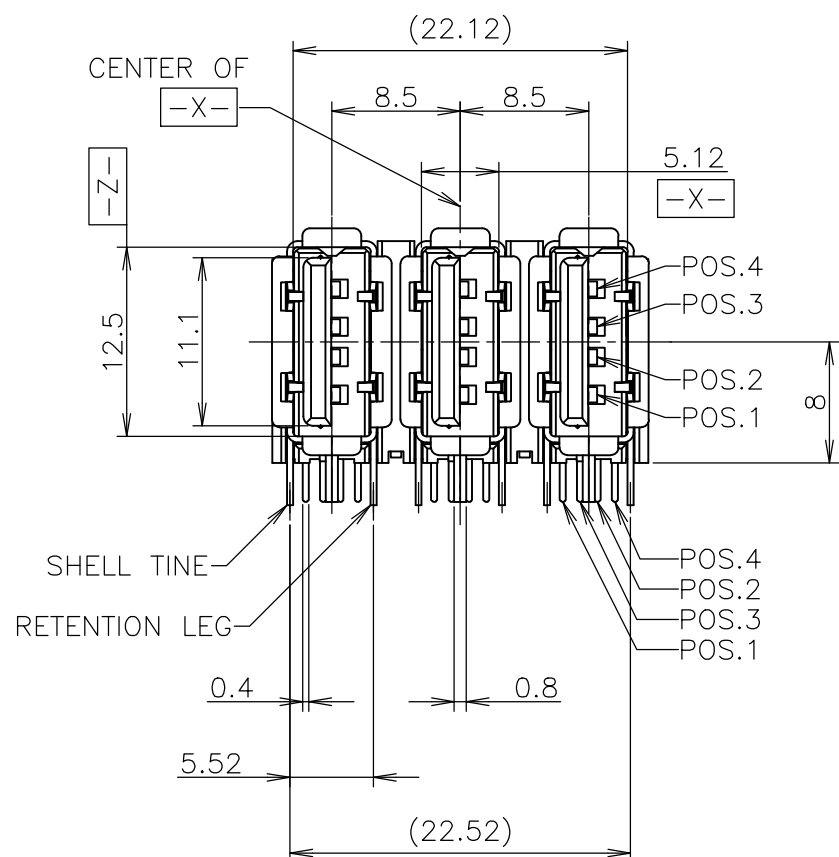
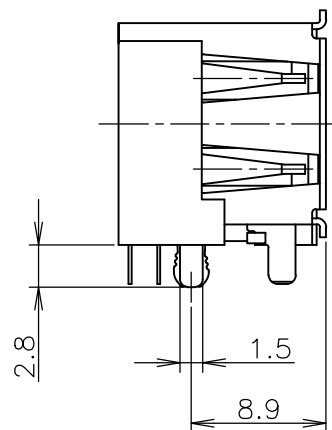
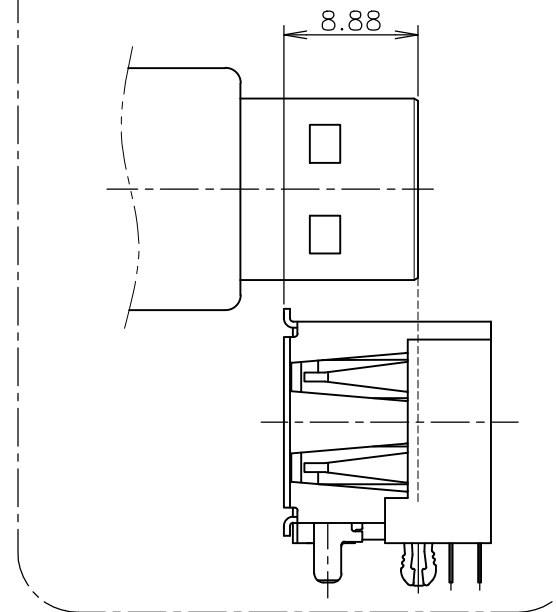
P	LTR	DESCRIPTION	DATE	DWN	APVD
E3		REVISED PER ECR-15-016523	16NOV15	T.Z	H.W

4-1565589-3  
1565589-2  
; AS SHOWN



- ④ MATERIAL  
HOUSING: THERMO-PLASTICS UL94V-0 BLACK  
CONTACT: COPPER ALLOY  
FRONT SHELL: COPPER ALLOY
- ② FINISH  
CONTACT: NICKEL UNDER PLATE ALL OVER.  
CONTACT AREA: GOLD PLATE  
TINE AREA: TIN-LEAD PLATING
- ③ FINISH  
CONTACT: NICKEL UNDER PLATE ALL OVER.  
CONTACT AREA: GOLD PLATE  
TINE AREA: TIN PLATING  
FRONT SHELL: TIN PLATE

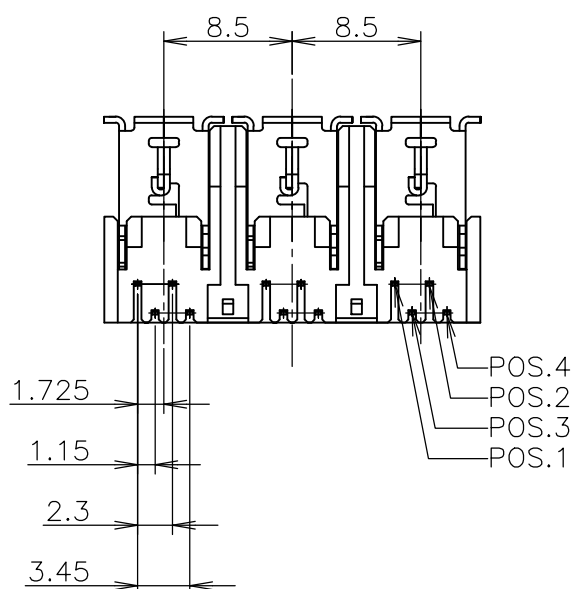
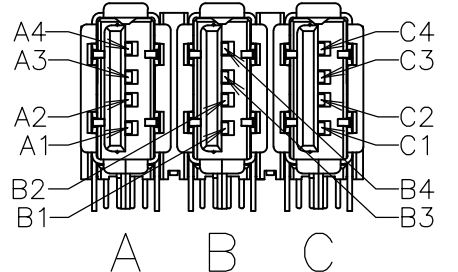
THE END POSITION OF PLUG CONNECTOR



④	④	OBSOLETE	SEE SHEET 5, 6	③	④	6-1565589-2
④	②	OBSOLETE	SEE SHEET 3, 4	③	②	3-1565589-3
④	③	OBSOLETE	SEE SHEET 1, 2	③	③	6-1565589-1
④	②	OBSOLETE	SEE SHEET 1, 2	③	②	4-1565589-3
				②		1565589-2
			REMARK		FINISH	PART NO.

④ OBSOLETE PARTS: OBSOLETE CIS STREAMLINING PER D.RENAUD/D.SINISI

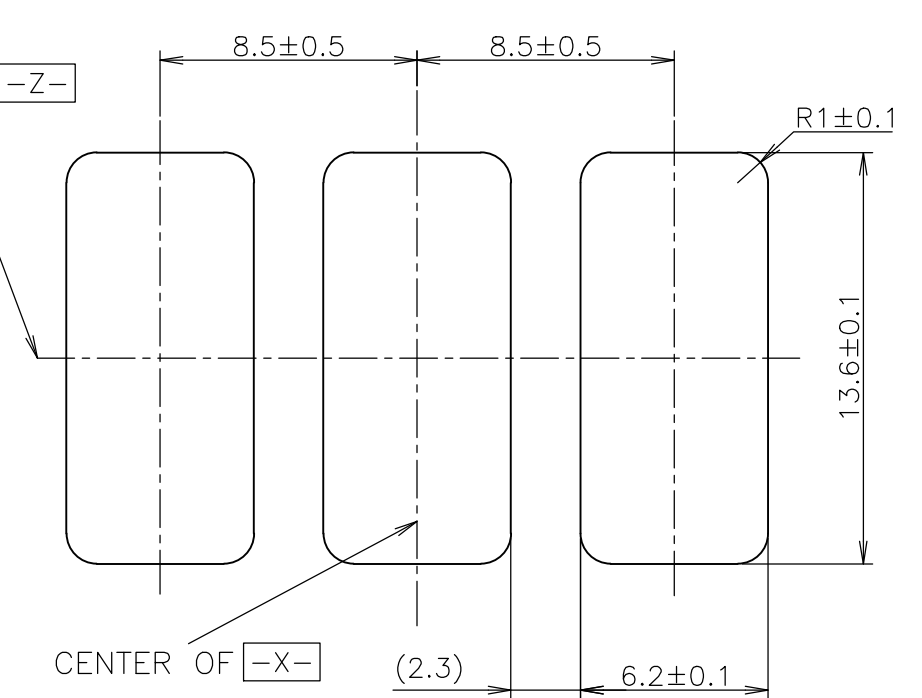
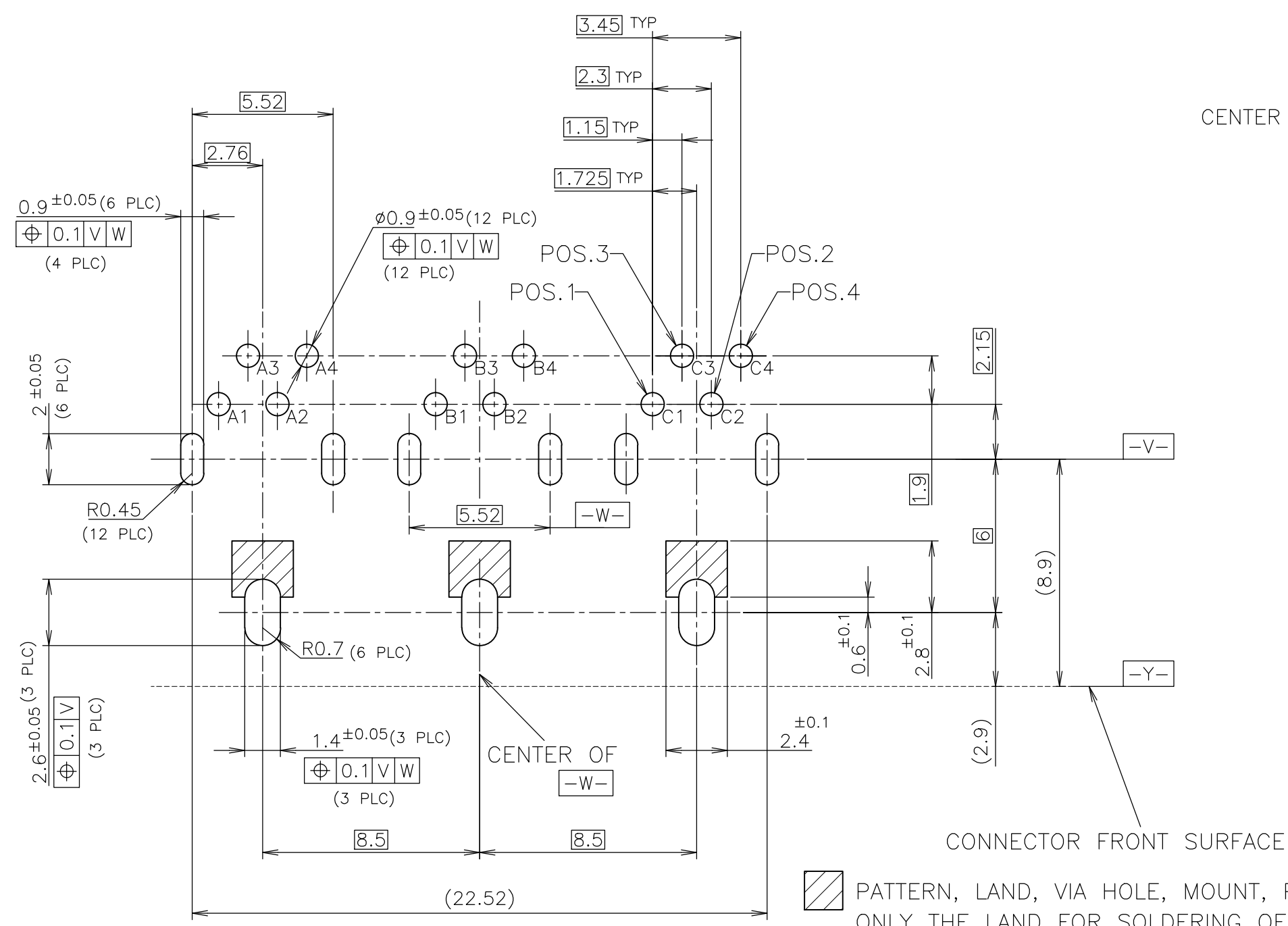
PORT NO. & CIRCUIT NO.



THIS DRAWING IS A CONTROLLED DOCUMENT.		DWN	S.TODA	12DEC2001	<b>STE</b> TE Connectivity		
DIMENSIONS: 单位: 耗 mm		CHK	T.Z	12DEC2001			
TOLERANCES UNLESS OTHERWISE SPECIFIED: 一般公差		APVD	H.KODAMA	12DEC2001	NAME 名称		
0 PLC ± 0.3		PRODUCT SPEC 製品規格		USB CONNECTOR RECEPTACLE TYPE			
1 PLC ± 0.3		APPLICATION SPEC 取付適用規格		108-5804		SIZE	
2 PLC ± 0.3		WEIGHT		A3		CAGE CODE	00779
3 PLC ± 0.3		CUSTOMER DRAWING		DRAWING NO		G-1565589	
4 PLC ± 0.3		FINISH 仕上		SCALE		2:1	
ANGLES ± 3'		SEE TABLE		SHEET		1 OF 6	
MATERIAL 材料		①		RESTRICTED TO		REV	
				E3			

THIS DRAWING IS UNPUBLISHED. RELEASED FOR PUBLICATION DEC ,2001.  
 © COPYRIGHT 2001 By - ALL RIGHTS RESERVED.

LOC	DIST	REVISIONS					
J	/	P	LTR	DESCRIPTION	DATE	DWN	APVD
		-		SEE SHEET 1	-	-	-



\*THIS DIMENSIONS ARE NOT CONSIDERATION  
 PANEL TOLERANCE AND PANEL ASSEMBLY TOLERANCE.

RECOMMENDED PANEL DIMENSION

PATTERN, LAND, VIA HOLE, MOUNT, PROHIBITION AREA.  
 ONLY THE LAND FOR SOLDERING OF FRONT SHELL IS OK.

RECOMMENDED LAYOUT OF P.C.B  
 (CONNECTOR MOUNTING SIDE)  
 RECOMMENDED THICKNESS: 1.0~1.6mm

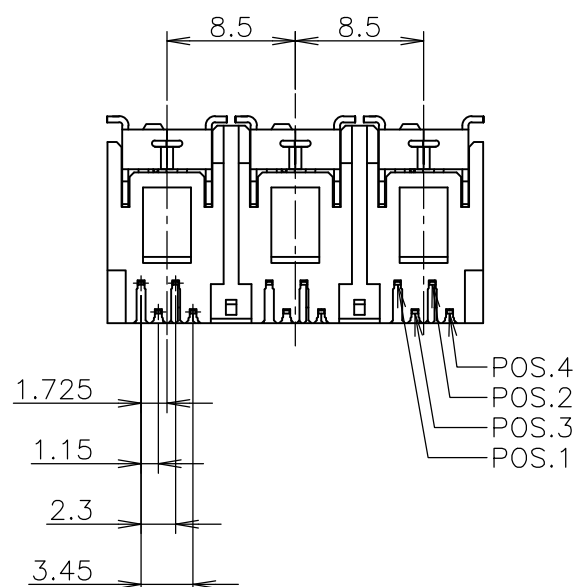
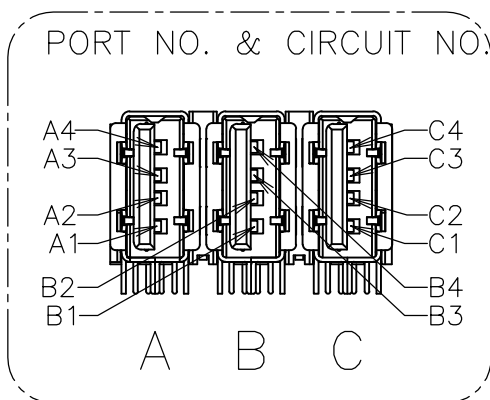
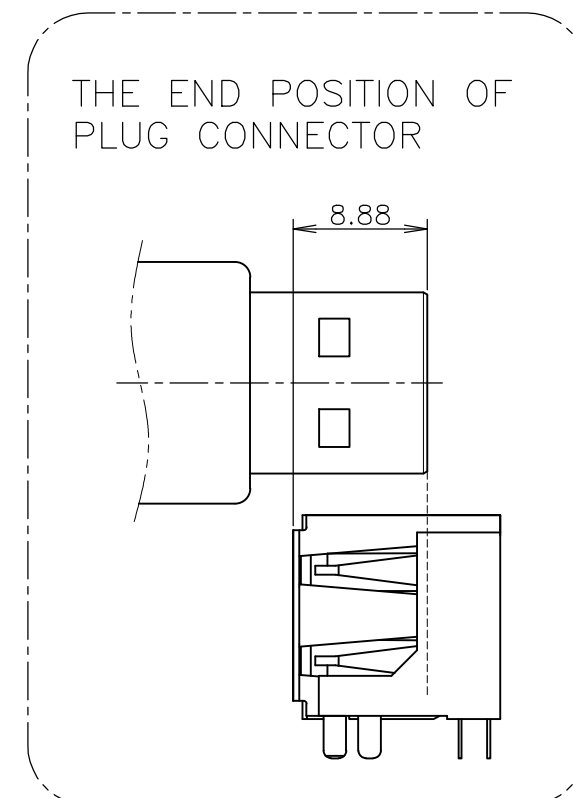
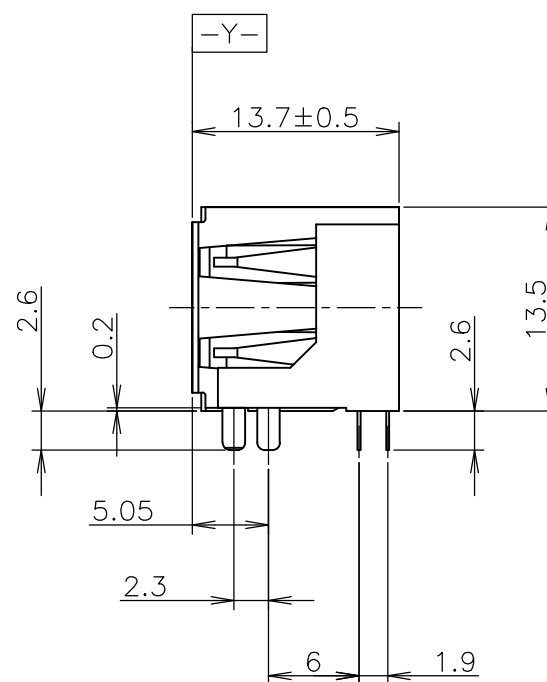
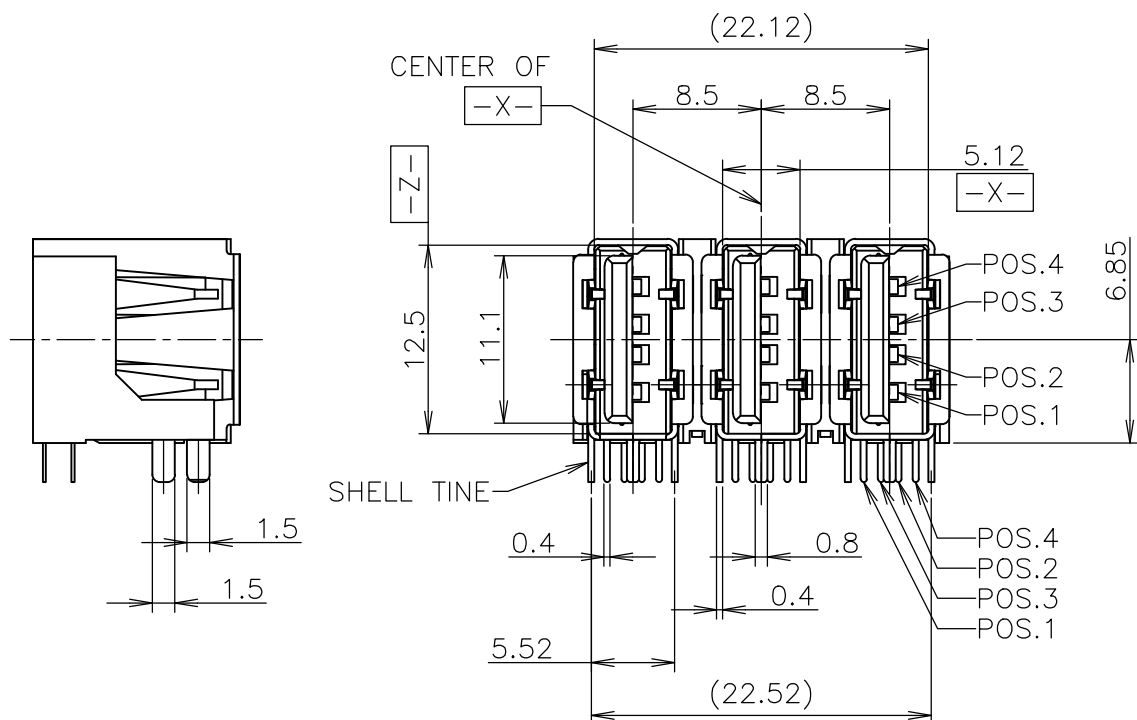
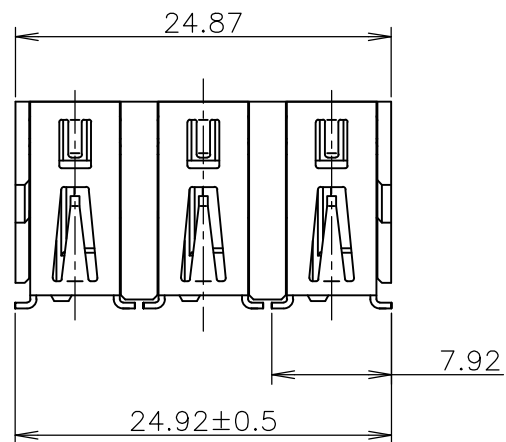
APPLICATION PRODUCT: 1565589-2  
 4-1565589-3

THIS DRAWING IS A CONTROLLED DOCUMENT.		DWN	TE Connectivity		
DIMENSIONS: 单位: 耗 mm		CHK			
TOLERANCES UNLESS OTHERWISE SPECIFIED: 一般公差		APVD	NAME 名称		
0 PLC ± 0.3		PRODUCT SPEC 製品規格	USB CONNECTOR RECEPTACLE TYPE		
1 PLC ± 0.3		APPLICATION SPEC 取付適用規格	SIZE	CAGE CODE	DRAWING NO 番号
2 PLC ± 0.3		WEIGHT	A3	00779	C-1565589
3 PLC ± 0.3		CUSTOMER DRAWING	RESTRICTED TO		
4 PLC ± 0.3			SCALE 尺度 5:1		
ANGLES ± 3°			SHEET 2 OF 6		
FINISH 仕上			REV E3		

THIS DRAWING IS UNPUBLISHED. RELEASED FOR PUBLICATION DEC. 2001.  
 © COPYRIGHT 2001 By - ALL RIGHTS RESERVED.

LOC		DIST		REVISIONS			DATE	DWN	APVD
P	LTR	DESCRIPTION							
J	/	-	-	SEE SHEET 1			-	-	-

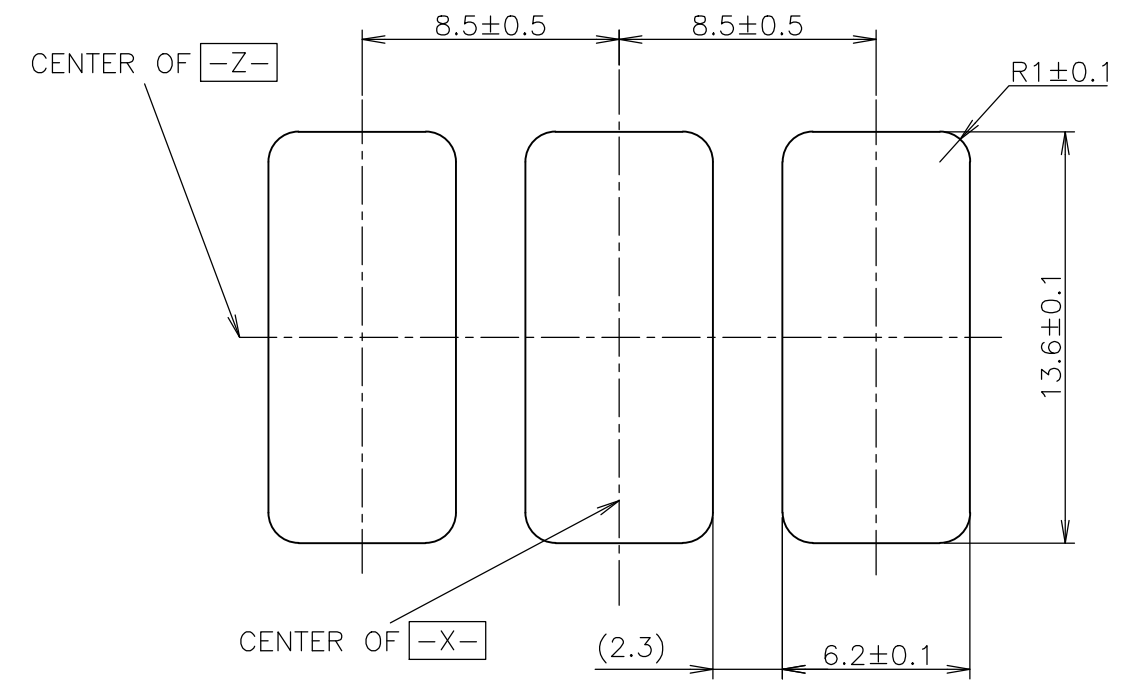
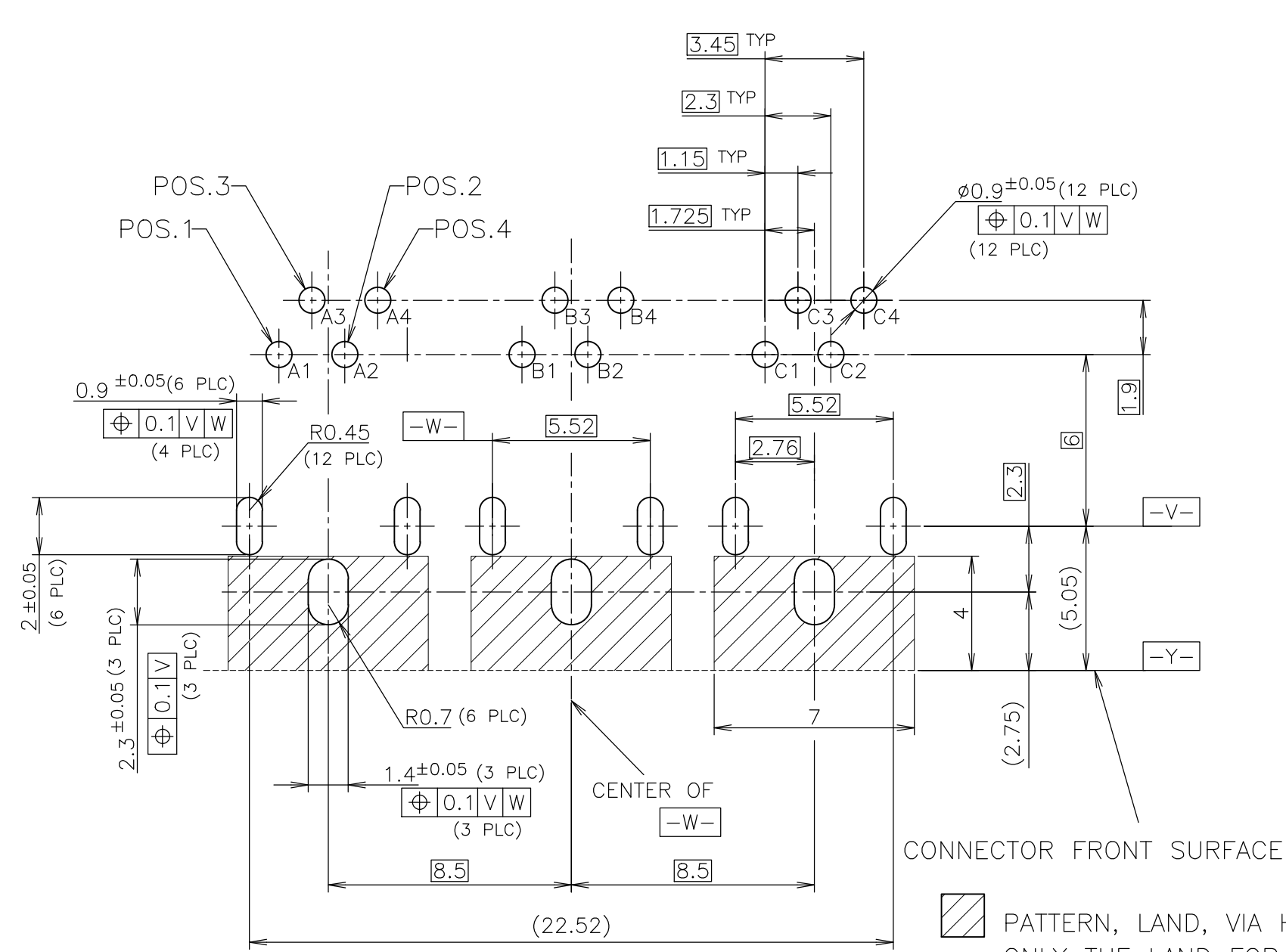
ⓔ3  
 4-6-1565589-1  
 ; AS SHOWN



THIS DRAWING IS A CONTROLLED DOCUMENT.		DWN		<b>STE</b> TE Connectivity	
DIMENSIONS: 單位: 耗 mm		CHK			
TOLERANCES UNLESS OTHERWISE SPECIFIED: 一般公差		APVD		NAME 名称	
0 PLC ± 0.3		PRODUCT SPEC 製品規格		USB CONNECTOR RECEPTACLE TYPE	
1 PLC ± 0.3		APPLICATION SPEC 取付適用規格		SIZE	
2 PLC ± 0.3		WEIGHT		CAGE CODE	
3 PLC ± 0.3		CUSTOMER DRAWING		DRAWING NO 番号	
4 PLC ± 0.3		SCALE 尺度 5:1		SHEET 3 of 6	
ANGLES ± 3°		RESTRICTED TO		REV E3	
FINISH 仕上		A3		00779	
MATERIAL 材料		C-1565589		1565589	

THIS DRAWING IS UNPUBLISHED. RELEASED FOR PUBLICATION DEC ,2001.  
 © COPYRIGHT 2001 By - ALL RIGHTS RESERVED.

LOC	DIST	REVISIONS		
		P	LTR	DESCRIPTION
J	/	-	-	SEE SHEET 1
				DATE
				DWN
				APVD



\*THIS DIMENSIONS ARE NOT CONSIDERATION  
 PANEL TOLERANCE AND PANEL ASSEMBLY TOLERANCE.

RECOMMENDED PANEL DIMENSION

RECOMMENDED LAYOUT OF P.C.B  
 (CONNECTOR MOUNTING SIDE)  
 RECOMMENDED THICKNESS: 1.0~1.6mm

CONNECTOR FRONT SURFACE

PATTERN, LAND, VIA HOLE, MOUNT, PROHIBITION AREA.  
 ONLY THE LAND FOR SOLDERING OF FRONT SHELL IS OK.

THIS DRAWING IS A CONTROLLED DOCUMENT.		DWN	TE Connectivity		
DIMENSIONS: 单位: 耗 mm		CHK			
TOLERANCES UNLESS OTHERWISE SPECIFIED: 一般公差		APVD	USB CONNECTOR RECEPTACLE TYPE		
0 PLC ± 0.3		PRODUCT SPEC 製品規格	SIZE	CAGE CODE	DRAWING NO 番号
1 PLC ± 0.3		APPLICATION SPEC 取付適用規格	A3	00779	G-1565589
2 PLC ± 0.3		WEIGHT	RESTRICTED TO		
3 PLC ± 0.3			CUSTOMER DRAWING		
4 PLC ± 0.3			SCALE 5:1 SHEET 4 OF 6 REV E3		
ANGLES ± 3°					
MATERIAL 材料	FINISH 仕上				



THIS DRAWING IS UNPUBLISHED.

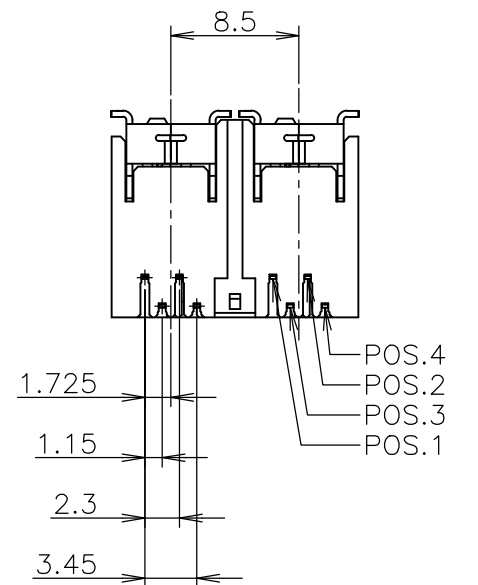
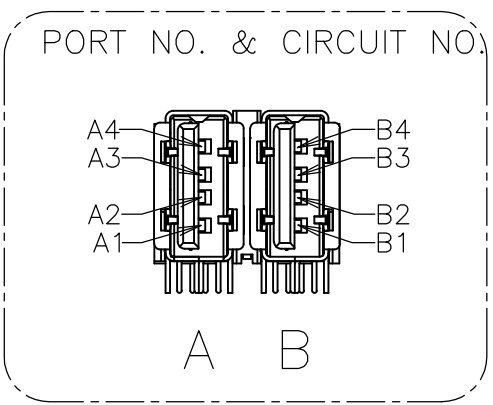
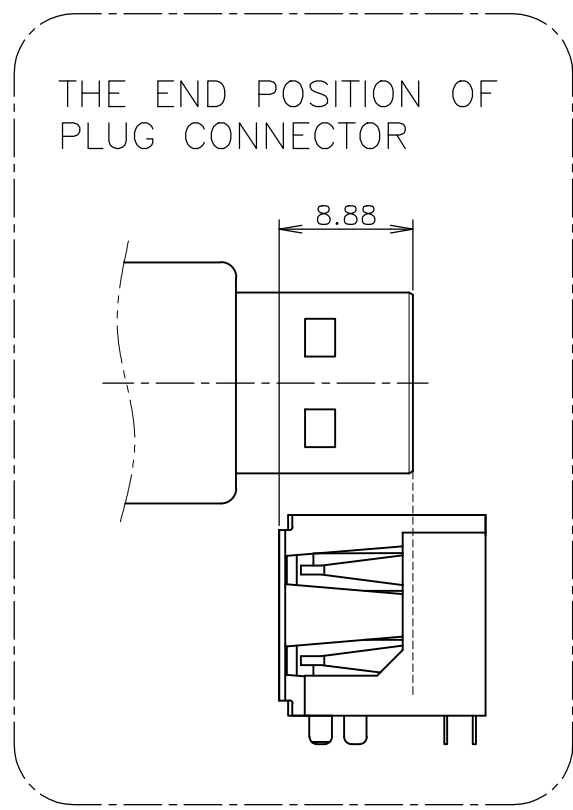
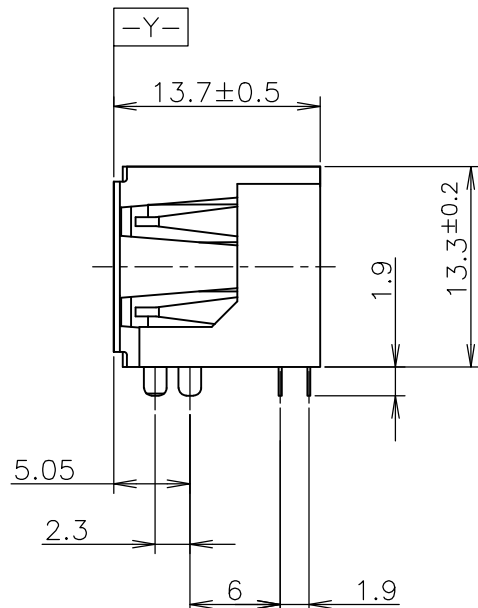
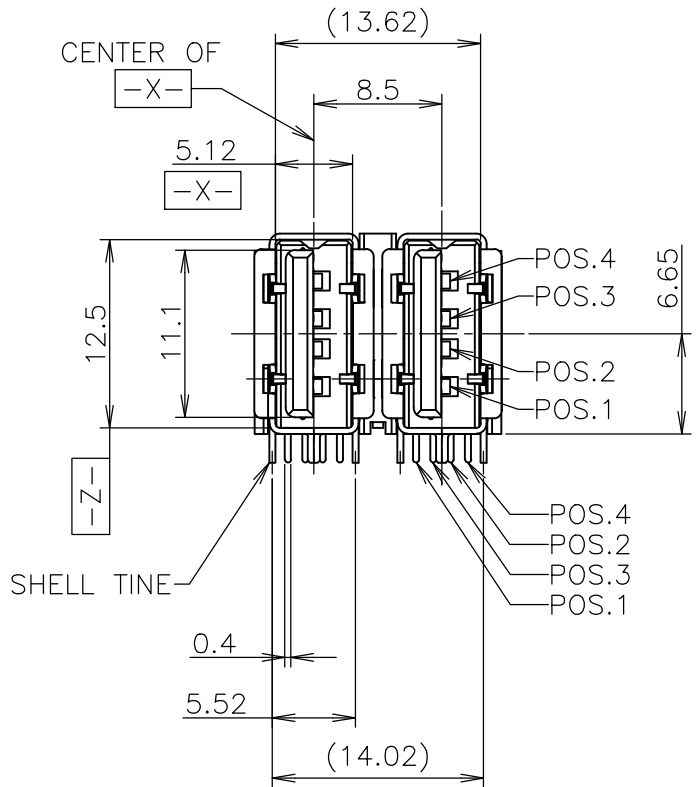
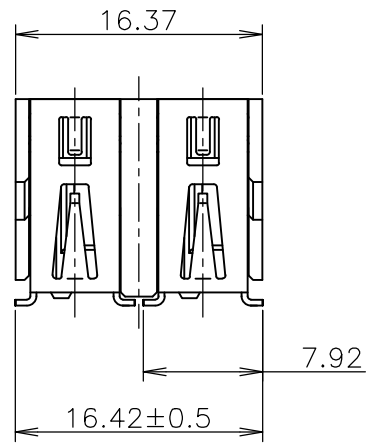
RELEASED FOR PUBLICATION DEC ,2001.


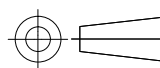
© COPYRIGHT 2001 By -

ALL RIGHTS RESERVED.

LOC	DIST	REVISIONS		
		P	LTR	DESCRIPTION
J	/	-	-	SEE SHEET 1
				DATE
				DWN
				APVD

 6-1565589-2  
 3-1565589-3  
 ; AS SHOWN



THIS DRAWING IS A CONTROLLED DOCUMENT.		DWN		 TE Connectivity	
DIMENSIONS: 单位: 耗 mm		CHK			
TOLERANCES UNLESS OTHERWISE SPECIFIED: 一般公差		APVD		NAME 名称	
0 PLC ± 0.3 1 PLC ± 0.3 2 PLC ± 0.3 3 PLC ± 0.3 4 PLC ± 0.3 ANGLES ± 3°		PRODUCT SPEC 製品規格		USB CONNECTOR RECEPTACLE TYPE	
MATERIAL 材料		FINISH 仕上		APPLICATION SPEC 取付適用規格	
		WEIGHT		SIZE	
		CUSTOMER DRAWING		CAGE CODE	
				DRAWING NO 番号	
				RESTRICTED TO	
				SCALE 尺度 5:1	
				SHEET 5 of 6	
				REV E3	

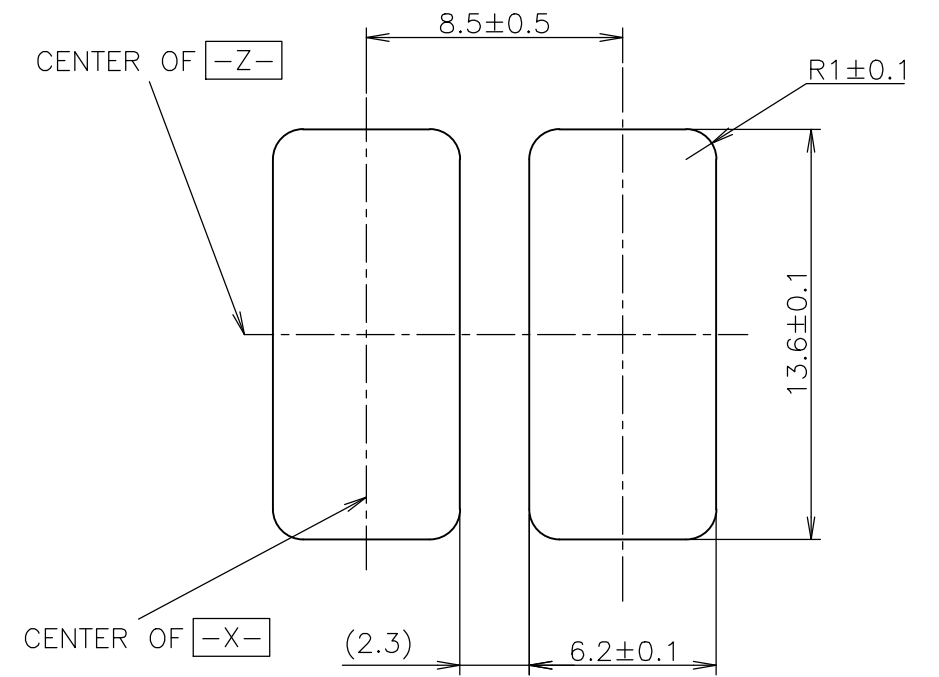
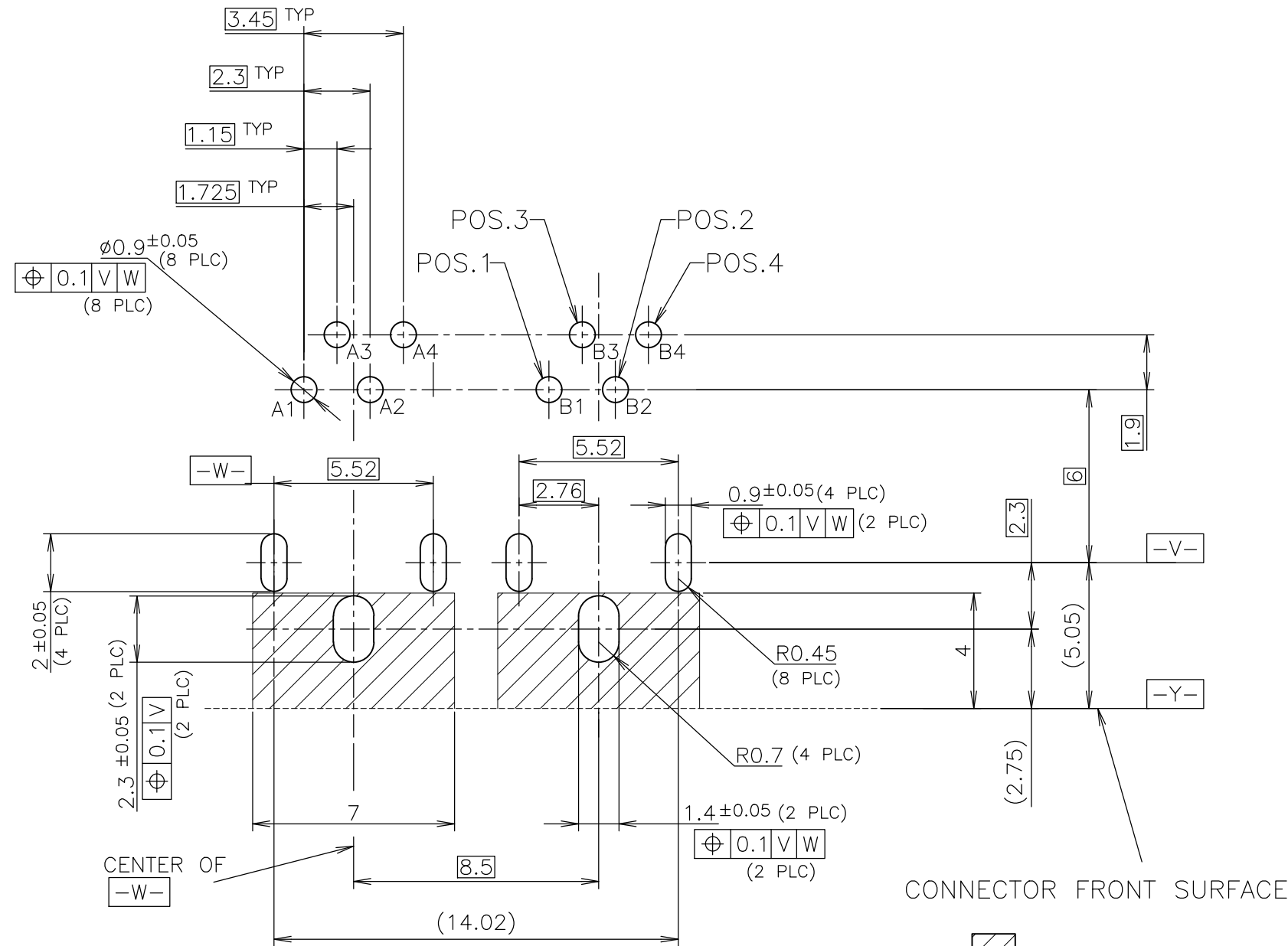
THIS DRAWING IS UNPUBLISHED.

RELEASED FOR PUBLICATION DEC. 2001.

© COPYRIGHT 2001 By -

ALL RIGHTS RESERVED.

LOC	DIST	REVISIONS		
		P	LTR	DESCRIPTION
J	/	-	-	SEE SHEET 1
				DATE
				DWN
				APVD



\*THIS DIMENSIONS ARE NOT CONSIDERATION PANEL TOLERANCE AND PANEL ASSEMBLY TOLERANCE.

### RECOMMENDED PANEL DIMENSION

CONNECTOR FRONT SURFACE

PATTERN, LAND, VIA HOLE, MOUNT, PROHIBITION AREA. ONLY THE LAND FOR SOLDERING OF FRONT SHELL IS OK.

### RECOMMENDED LAYOUT OF P.C.B (CONNECTOR MOUNTING SIDE)

RECOMMENDED THICKNESS: 1.0~1.2mm

THIS DRAWING IS A CONTROLLED DOCUMENT.		DWN		TE Connectivity	
DIMENSIONS: 单位: 耗 mm		CHK			
TOLERANCES UNLESS OTHERWISE SPECIFIED: 一般公差		APVD		NAME 名称	
0 PLC ± 0.3		PRODUCT SPEC 製品規格		USB CONNECTOR RECEPTACLE TYPE	
1 PLC ± 0.3		APPLICATION SPEC 取付適用規格		SIZE	
2 PLC ± 0.3		WEIGHT		CAGE CODE	
3 PLC ± 0.3		CUSTOMER DRAWING		DRAWING NO 番号	
4 PLC ± 0.3		SCALE 尺度 5:1		A3 00779 C-1565589	
ANGLES ± 3'		SHEET 6 OF 6		RESTRICTED TO	
FINISH 仕上		REV E3			