

# ACCESSORIES

## ACCESSORIES

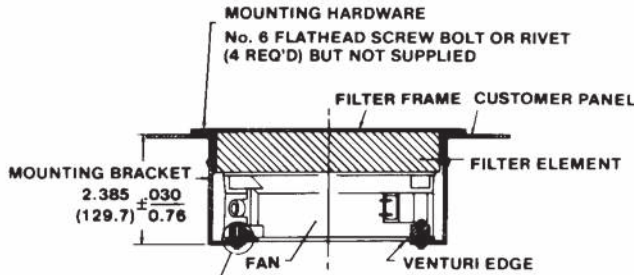
### Filter Assembly (Whisper XL DC, Muffin XL DC, Whisper, Whisper XL, Muffin, Muffin XL)

Part No. 551590

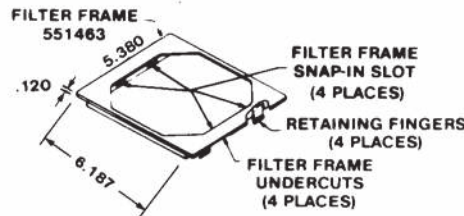
Consists of:

- 551463 Filter Frame
- 551494 Filter Element
- 551453 Mounting Brackets

Recommended cut-out 5.5" x 5.16"



ABOVE HARDWARE SUPPLIED

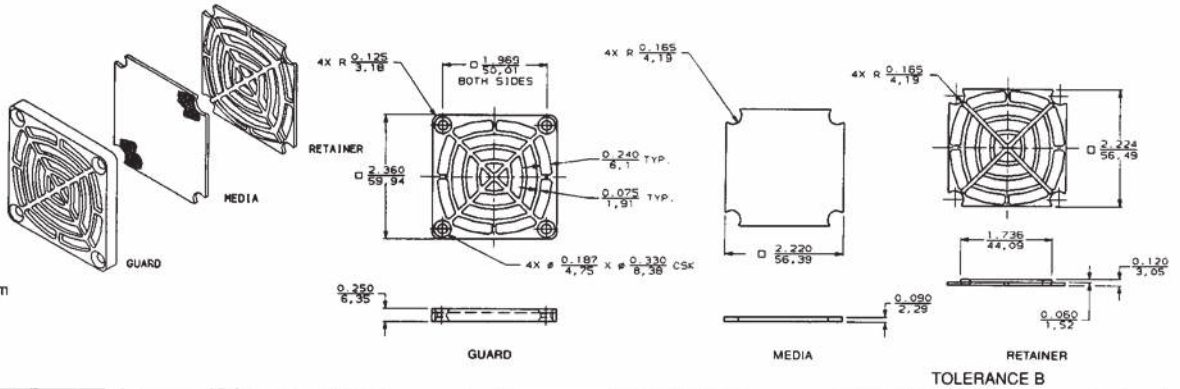


Note: Filters reduce airflow; i.e. a MX2A3's airflow would be reduced to about 87 CFM with P/N 551590 on fan's inlet at 115VAC, 60 Hz.

TOLERANCE:  $\pm$  .015 (0.38) ON ALL LINEAR DIMENSIONS

### Filter Guard Assembly (Flight 60)

Part No. 557239

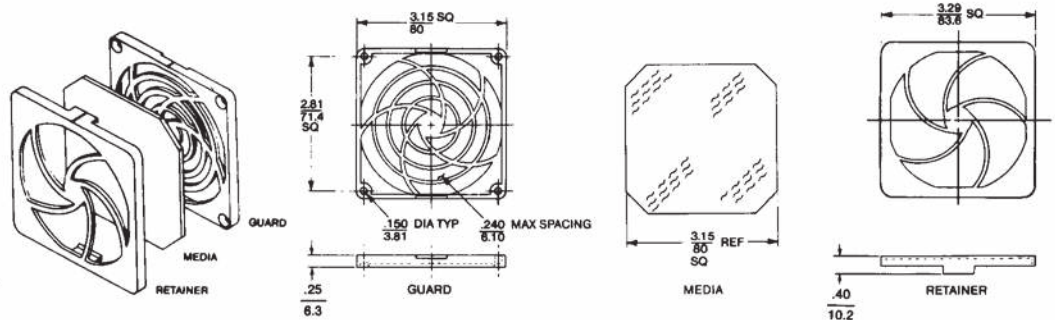


Note: Filters reduce airflow  
\* PPI denotes "pores per inch"

### Filter Guard Assembly (Flight 80, Sprint DC, Sprite DC, Sprite)

Part No. 554141

- 30 PPI\* Replacement Filter Element  
Part No. 554139 (Pack of 5)  
Also available with 45 PPI Filter  
Part No. 554142
- 45 PPI Replacement Filter Element  
Part No. 554140 (Pack of 5)  
Retainer and guard UL94V-0 plastic  
Replacement filter element (media)  
polyurethane foam



Note: Filters reduce airflow; i.e. a ST12A3's airflow would be reduced to about 25 CFM with P/N 554141 on fan's inlet at 12VDC.

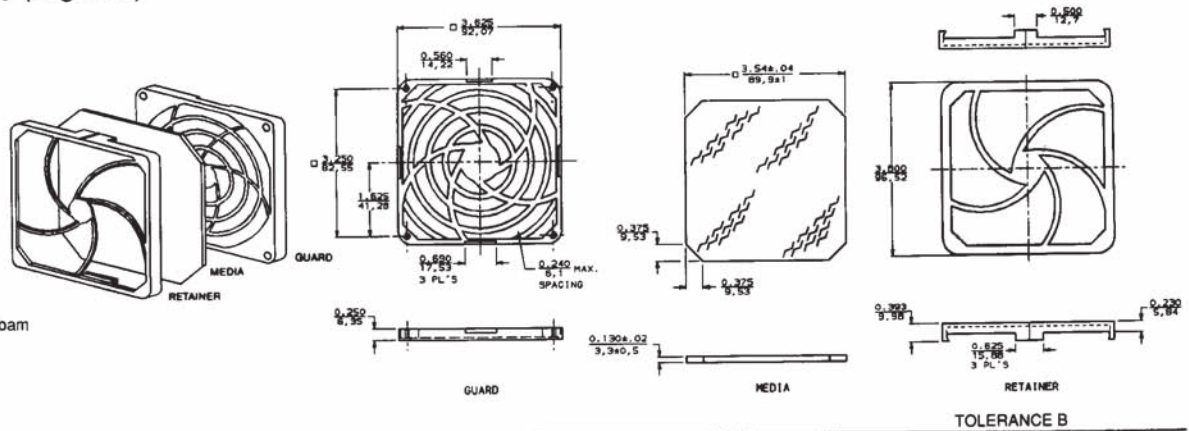
\*PPI denotes "pores per inch"

TOLERANCE B

## Filter Guard Assembly (Flight 90)

Part No. 557218

30 PPI\* Replacement Filter Element  
Part No. 557220 (pack of 5)  
Also available with 45 PPI Filter  
Part No. 557219  
45 PPI Replacement Filter Element  
Part No. 557221 (pack of 5)  
Retainer and guard UL94V-0 plastic  
Filter element (media) polyurethane foam

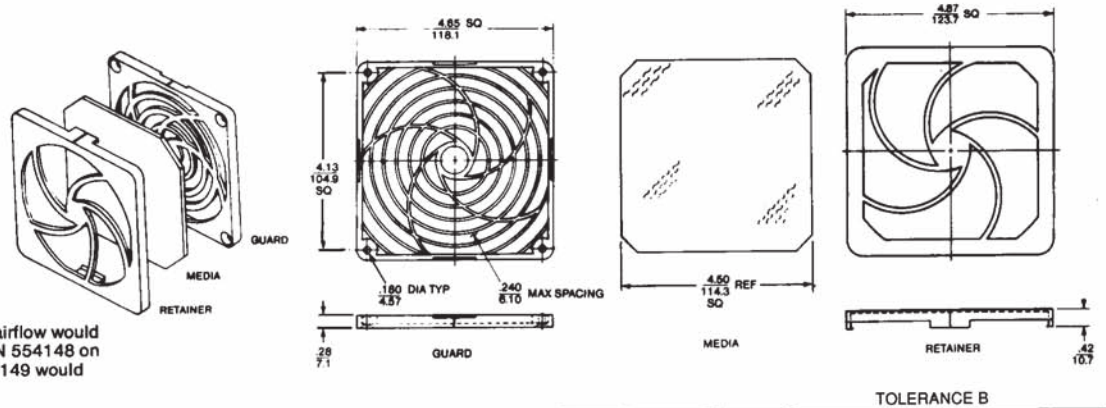


Note: Filters reduce airflow  
\* PPI denotes "pores per inch"

## Filter Guard Assembly (Flight 120, Muffin DC, Whisper XL DC, Muffin XL DC, Whisper, Whisper XL, Muffin, Muffin XL)

Part No. 554148

30 PPI\* Replacement Filter Element  
Part No. 554146 (Pack of 5)  
Also available with 45 PPI Filter  
Part No. 554149  
45 PPI Replacement Filter Element  
Part No. 554147 (Pack of 5)  
Retainer and guard UL94V-0 plastic  
Replacement filter element (media)  
polyurethane foam



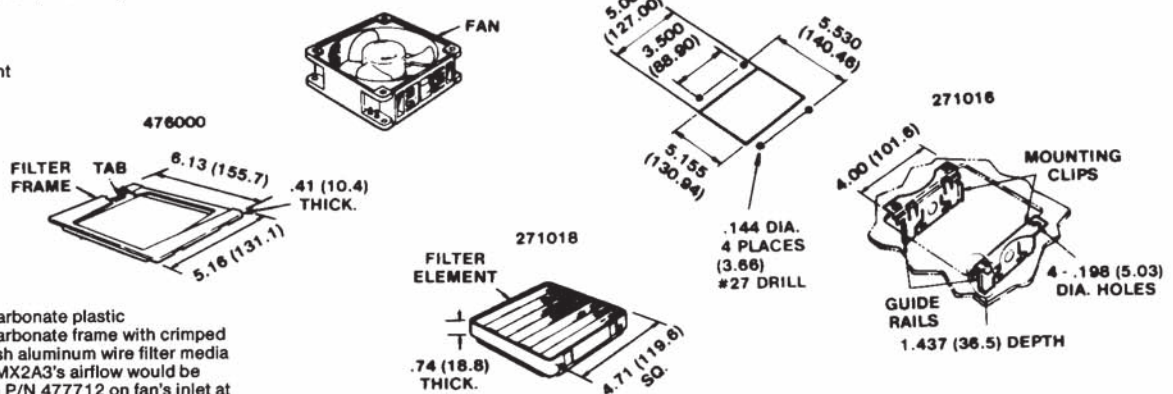
Note: Filters reduce airflow; i.e. a MX2A3's airflow would be reduced to about 75 CFM with P/N 554148 on fan's inlet at 115VAC, 60 Hz. P/N 554149 would reduce airflow to about 68 CFM.

\* PPI denotes "pores per inch"

## Filter Assembly (Whisper, Muffin)

Part No. 477712

Consists of:  
476000 Filter Frame  
271018 Washable Filter Element  
271016 Mounting Clip (2)  
Installation Instructions



Materials: 476000 Black polycarbonate plastic  
271018 Black polycarbonate frame with crimped  
18 x 14 mesh aluminum wire filter media

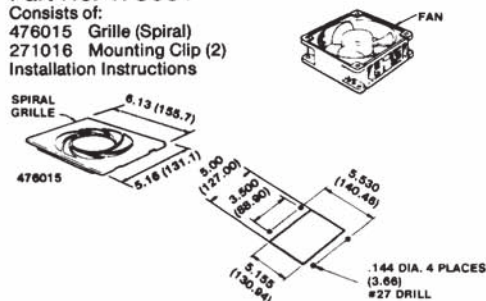
Note: Filters reduce airflow; i.e. MX2A3's airflow would be reduced into about 82 CFM with P/N 477712 on fan's inlet at 115VAC, 60 Hz (UP).

TOLERANCE A (see page 105)

## Grille Kit (Whisper, Muffin)

Part No. 478031

Consists of:  
476015 Grille (Spiral)  
271016 Mounting Clip (2)  
Installation Instructions



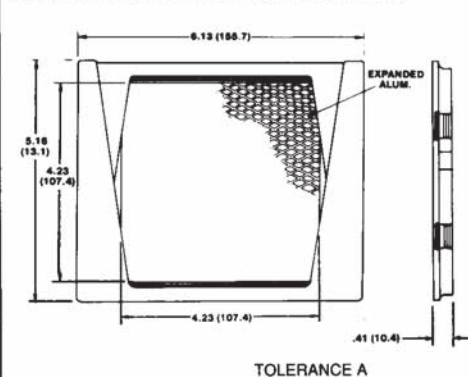
Materials: Grille—High Impact Polycarbonate Plastic  
Clips—.020 (0.5) Thick Spring Steel, black phosphate finish

TOLERANCE: ±.015 (0.38) ON ALL LINEAR DIMENSIONS

## Metal Grille (Whisper, Muffin)

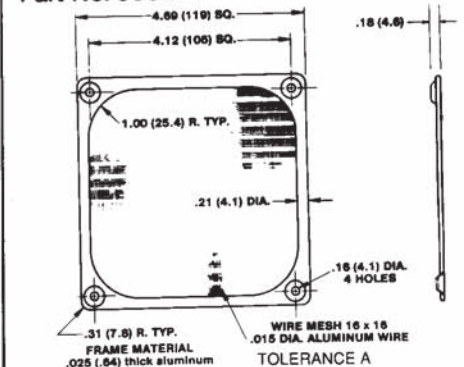
Part No. 477727

Expanded aluminum mesh - snaps onto fan venturi with use of Part No. 271016 mounting clips. (2 REQ'D)



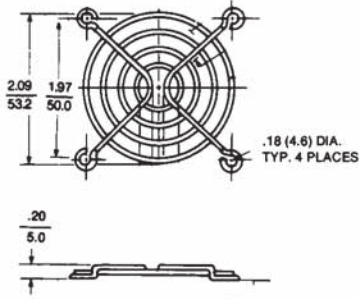
## Screen Guard (Flight 120, Muffin DC, Whisper XL DC, Muffin XL DC, Whisper, Whisper XL, Muffin, Muffin XL)

Part No. 550214



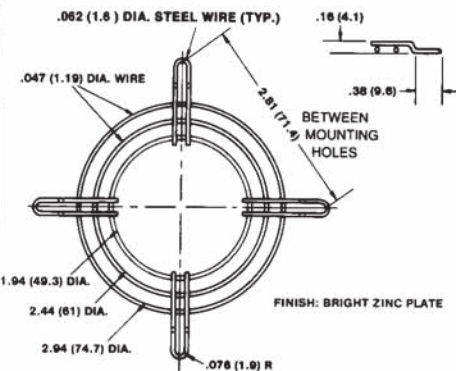
**Finger Guard (Flight 60)**  
Part No. 572621

Steel wire, .062 dia., welded and nickel chrome finish meets UL, CSA .250/6.35 spacing



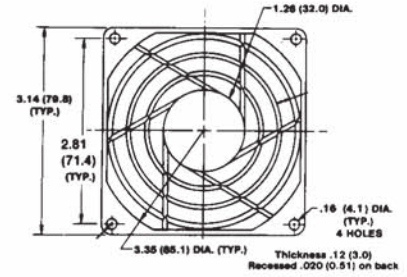
TOLERANCE B

**Finger Guard (Flight 80, Sprint DC, Sprite DC, Sprite)**  
Part No. 476143



TOLERANCE B

**Finger Guard (Flight 80, Sprint DC, Sprite DC, Sprite)**  
Part No. 550648  
Meets UL, CSA .250/6.35 spacing

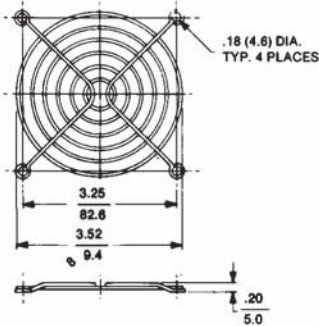


TOLERANCE A

Color: Black

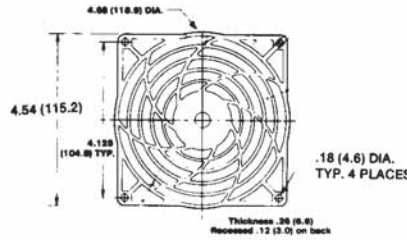
**Finger Guard (Flight 90)**  
Part No. 554172

Steel wire, .062 dia., welded and nickel chrome finish Meets UL, CSA .250/6.35 spacing



TOLERANCE B

**Finger Guard (Flight 120, Muffin DC, Whisper XL DC, Muffin XL DC, Muffin AC, Whisper, Whisper XL, Muffin, Muffin XL, Skeleton)**  
Part No. 551147  
Meets UL, CSA .250/6.35 spacing

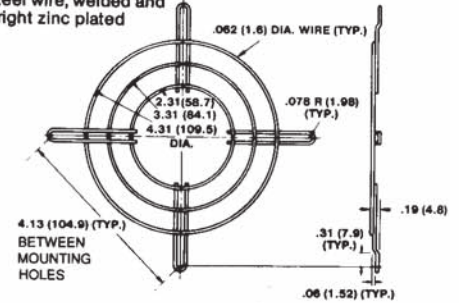


TOLERANCE A

Color: Black

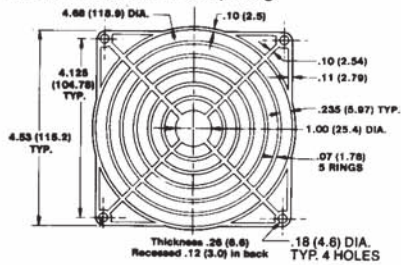
**Finger Guard (Flight 120, Muffin DC, Whisper XL DC, Muffin XL DC, Muffin AC, Whisper, Whisper XL, Muffin, Muffin XL, Skeleton)**  
Part No. 476042

Steel wire, welded and bright zinc plated



TOLERANCE B

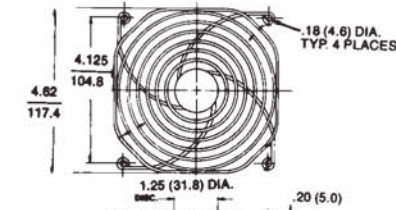
**Finger Guard (Flight 120, Muffin DC, Whisper XL DC, Muffin XL DC, Muffin AC, Whisper, Whisper XL, Muffin, Muffin XL, Skeleton)**  
Part No. 550481  
Meets UL, CSA .250/6.35 spacing



TOLERANCE A

Color: Black

**Finger Guard (Flight 120, Muffin DC, Whisper XL DC, Muffin XL DC, Muffin AC, Whisper, Whisper XL, Muffin, Muffin XL, Skeleton)**  
Part No. 552934 Meets UL, CSA .250/6.35 spacing

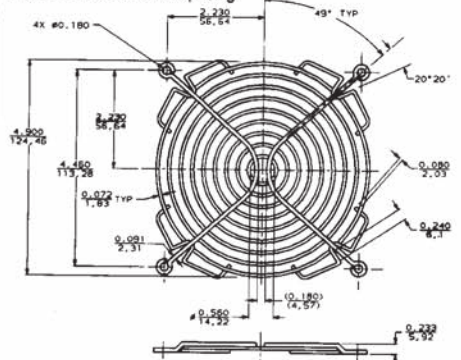


TOLERANCE B

Material: Center Disc: .03 (0.76) THK. C.R.S.  
Wire Rings: .062 (1.57) DIA. STEEL  
Supports: .080 (2.03) DIA. STEEL  
Finish: Bright Zinc Plate with Chromate Treatment

**Finger Guard (Galaxy)**  
Part No. 557216

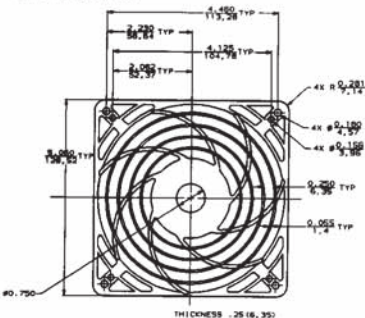
Made of steel wire finished in bright zinc Meets UL, CSA .25 dia. spacing



TOLERANCE B

**Finger Guard (Galaxy)**  
Part No. 550651

Material: RTP 305 glass reinforced polycarbonate or GE Valox 420 polyester  
UL Rating 94V-0

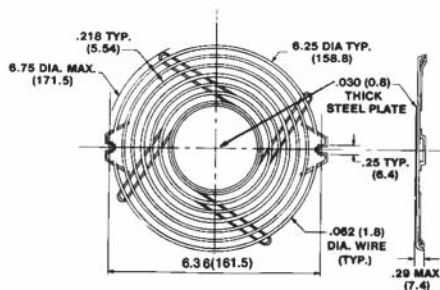


TOLERANCE A

Color: Black

**Finger Guard (Patriot DC, Patriot)**  
Part No. 551199

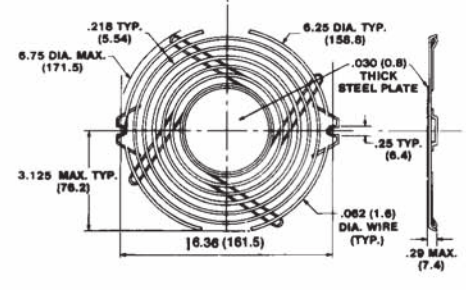
Steel wire, welded and bright zinc plated. Meets UL, CSA .250/6.35 spacing



TOLERANCE B

**Finger Guard (Major DC, Major)**  
Part No. 550272

Steel wire, welded and bright zinc plated Meets UL, CSA .250/6.35 spacing

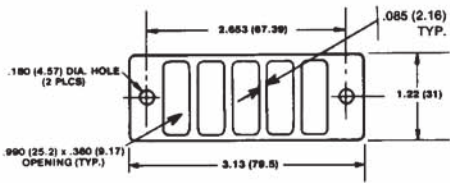


TOLERANCE B

**Finger Guard (Biscuit DC, Biscuit)**

Part No. 477626

.030 (.76) thick type 302 stainless steel. Screws onto outlet of blower with (2) 8-32 machine screws (not supplied)

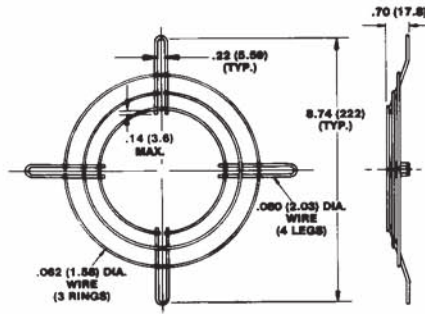


TOLERANCE A

**Finger Guard (Tarzan)**

Part No. 476136

Made of steel wire finished in nickel chrome

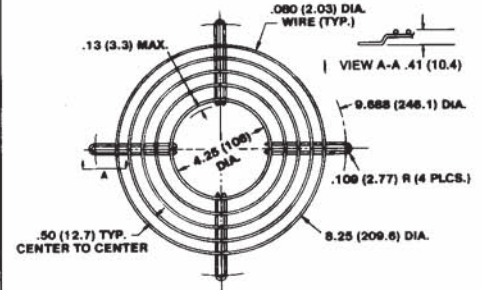


TOLERANCE B (see below)

**Finger Guard (Caravel)**

Part No. 476323

Made of steel wire finished in bright zinc. Mounts using #8 machine screws in the 4 legs equally spaced on 9.688 (246.1) dia.

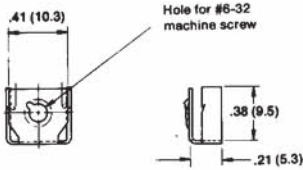


Note: Also available meeting UL .250 spacing. Call factory for specifications on P/N 557923

TOLERANCE B (see below)

**Mounting Clips (Whisper XL DC, Muffin XL DC, Whisper XL, Muffin XL)**  
Part No. 550113 *Galaxy*

Fits over mounting boss of above fans

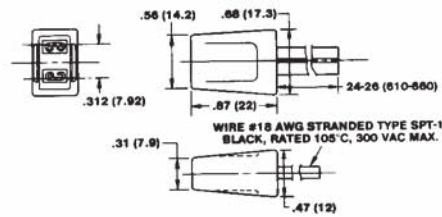


5 in./lb. max torque.

Material: .017 (.43) thick tempered spring steel  
Finish: Black phosphate

TOLERANCE B (see below)

**Plug & Cord**  
Part No. 550440

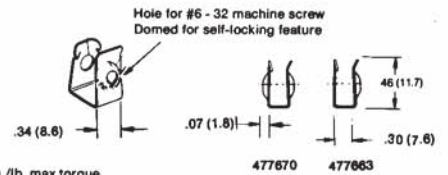


UL File No. E42397  
GUIDE ZPPW2 Wiring Harness  
CSA File No. LR45371

TOLERANCE A (see below)

**Mounting Clips (Major DC, Patriot DC, Whisper, Muffin, Major, Patriot)**  
Part No. 477663 (Flush)  
477670 (Standoff)

Fits over .25/6.35 mounting flanges of above fans

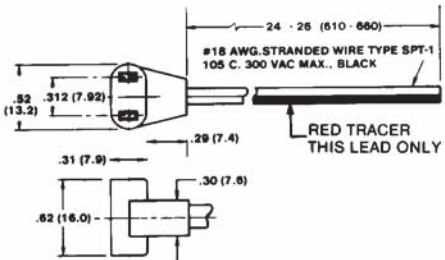


5 in./lb. max torque.

Material: .017 (.43) thick tempered spring steel  
Finish: Black phosphate

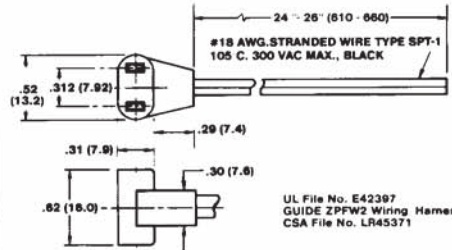
TOLERANCE B (see below)

**Plug & Cord**  
Part No. 571064



TOLERANCE B

**Plug & Cord**  
Part No. 428056



UL File No. E42397  
GUIDE ZPPW2 Wiring Harness  
CSA File No. LR45371

TOLERANCE B

TOLERANCE A: .XX = ± .03 (0.8)  
.XXX = ± .010 (0.25)  
TOLERANCE B: .XX = ± .05 (1.3)  
.XXX = ± .015 (0.38)