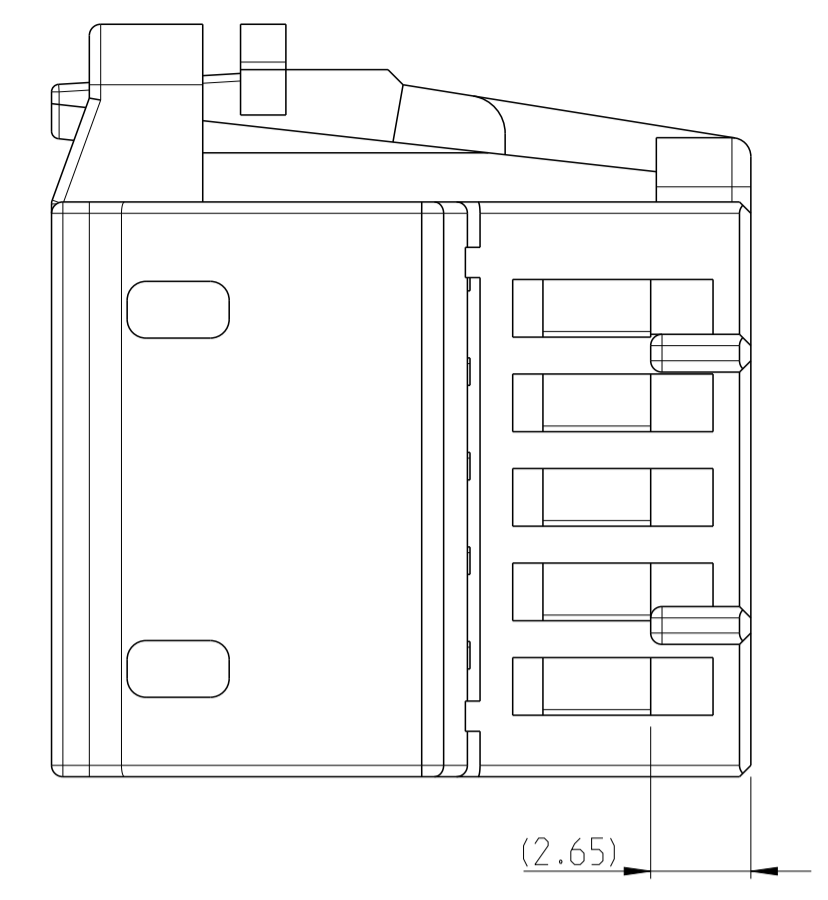
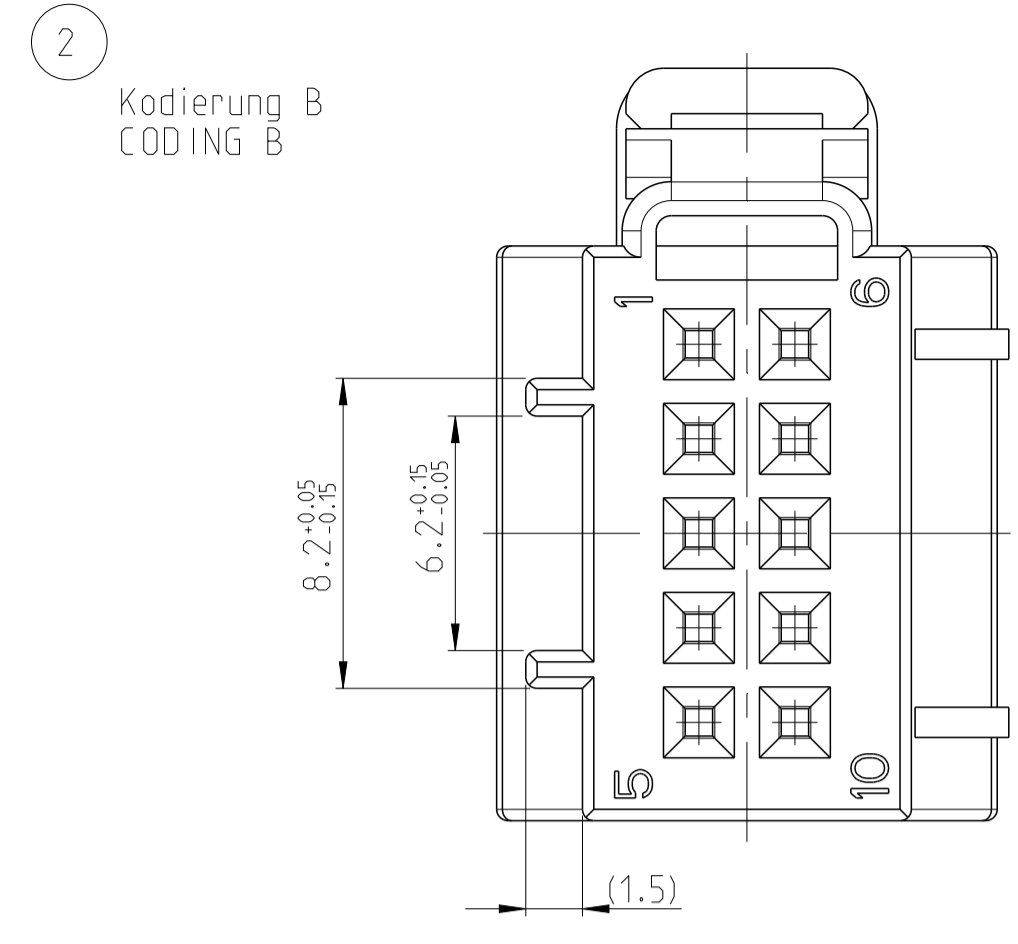
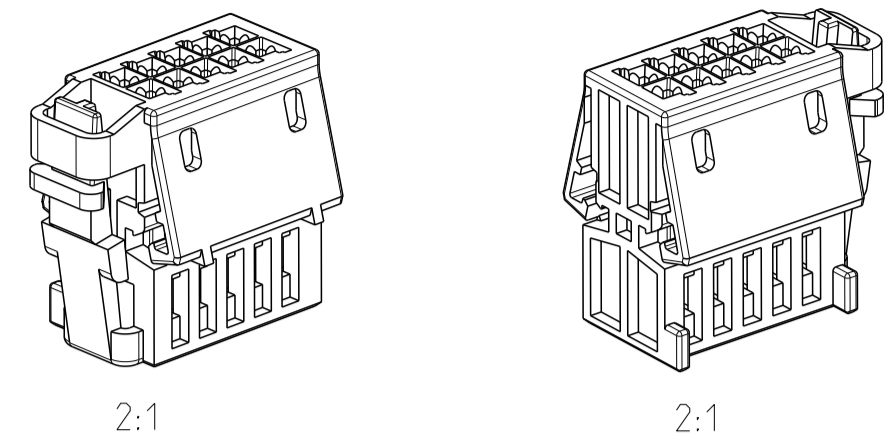
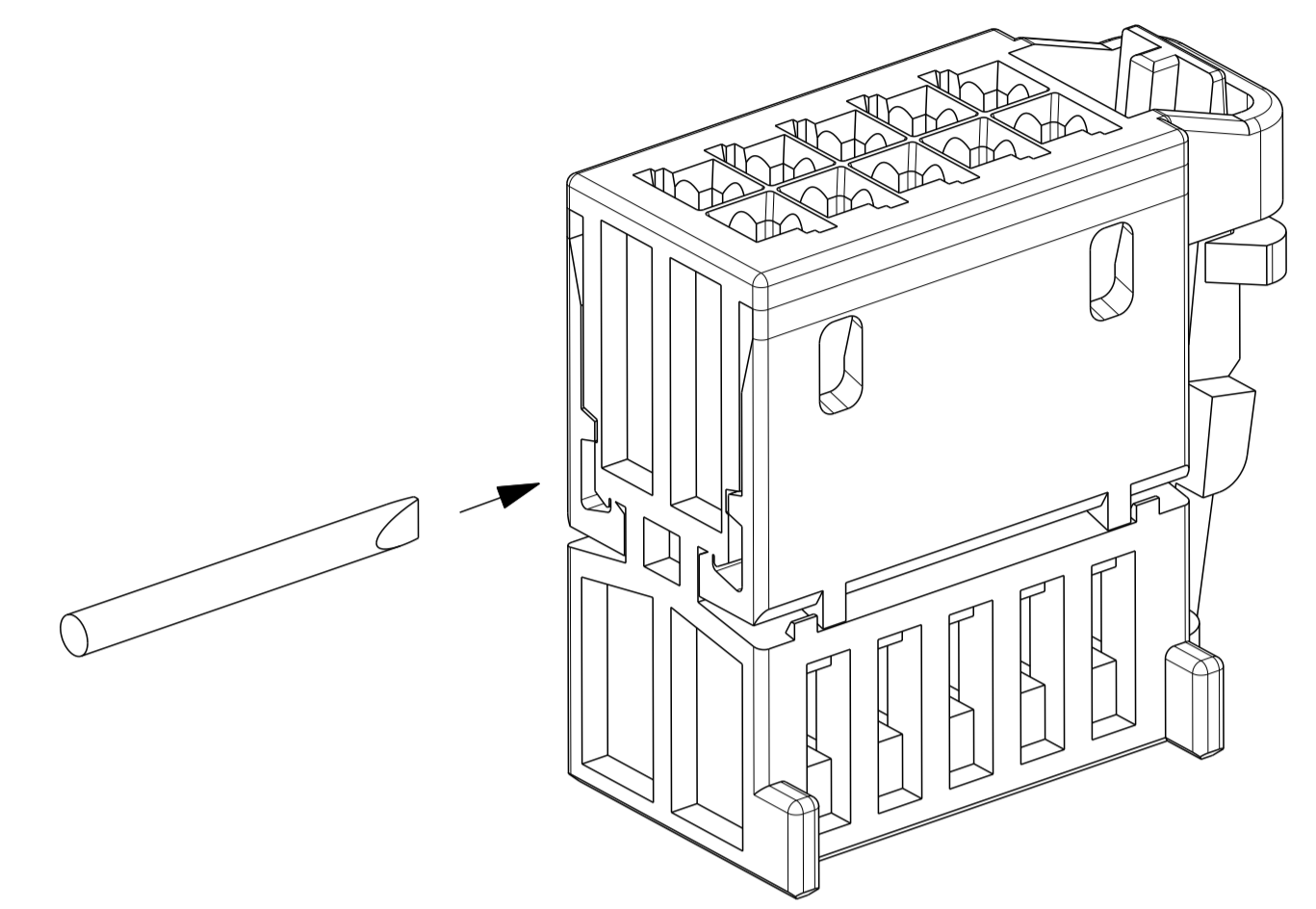


LOC	DIST	REVISIONS			
A1		REV.	DESCRIPTION	DATE	BY
A1		A	New Drawing	17AUG2012	MR RBT
A1		A1	SLOTS IN THE FLIP SEC. LOCK ADDED	27MAR2013	MR RBT
A2		A2	1-1670990-4 added	13JUN2017	KS MZ

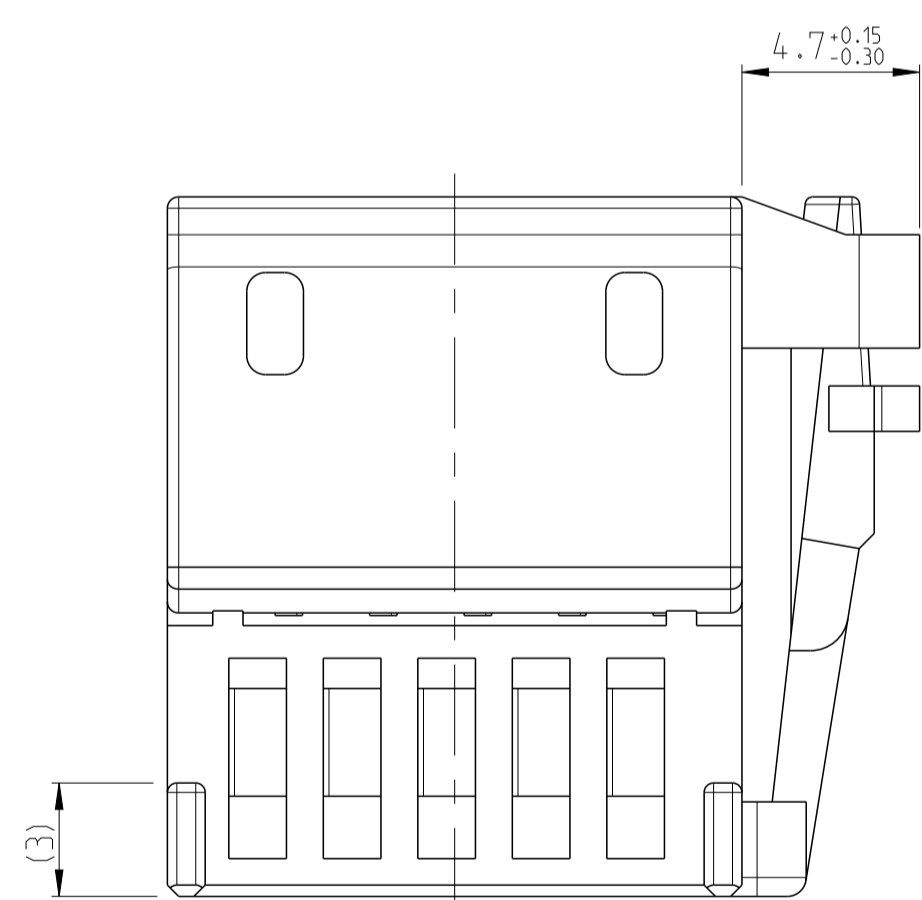
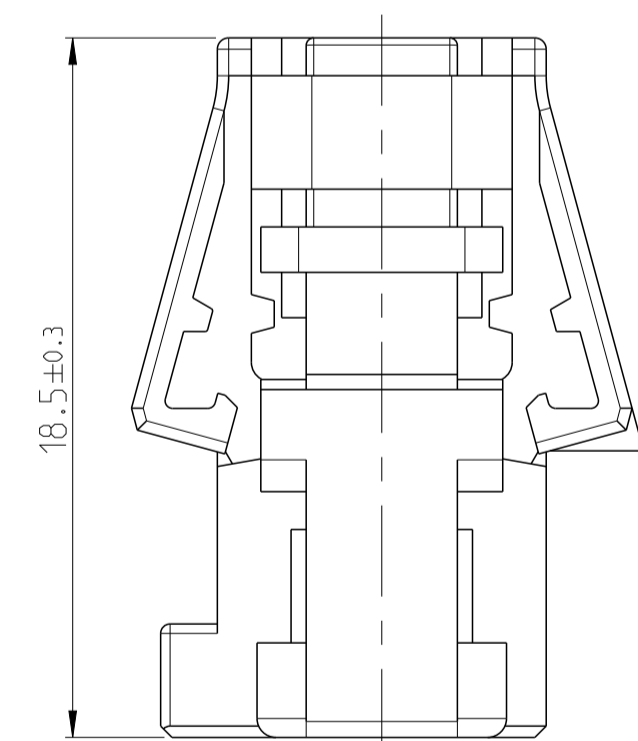
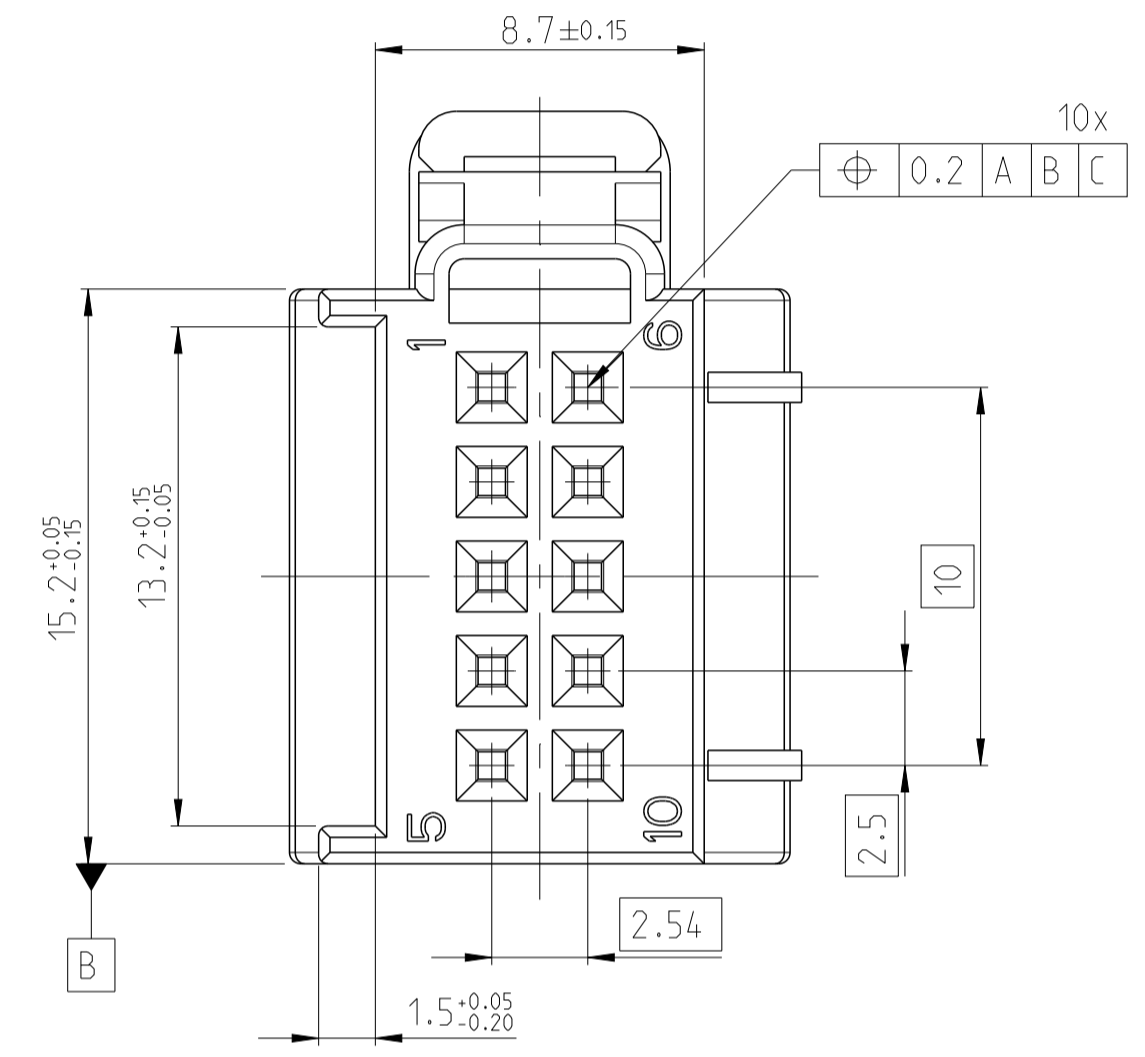


Deckel geschlossen dargestellt
COVER CLOSED PICTURED



OPENING GUIDE: TO OPEN THE LOCKED RETAINER, USE A Ø 1x0.18MM SCREWDRIVER AND PUSH IT IN THE SHOWN OPENING.
Oeffnungsanleitung: Zum Oeffnen des verrasteten Deckels wird ein Ø1x0.18mm Schraubendreher in die gezeigte Oeffnung gedrecks.

1 Kodierung A CODING A



Bemerkungen

- 1 Passende Kontakte 1355717, 928999, 963715
- 2 Passende Stiftwanne siehe Zeichnung-Nr. 969587
- 3 Materialentnahme optional in Ausfuehrung und Lage nach Wahl des Herstellers moeglich
- 4 Verpackung: Schuettgut in Karton

NOTES

- 1 SUITABLE CONTACTS 1355717, 928999, 963715
- 2 SUITABLE PIN HEADER SEE DRAWING NO. 969587
- 3 MATERIAL REMOVAL OPTIONAL IN EXECUTION AND POSITION ACC. TO MANUFACTURER POSSIBLE
- 4 PACKAGING: LOOSE PIECE IN CARDBOX

PART NO	REV.	COD.	MATERIAL	COLOUR	WEIGHT [g]	POS.
1-1670990-4	A	A	PBT-GF10	DARK BROWN/dunkelbraun	2.04	1
1-1670990-2	A	B	PBT-GF10	GREY/grau	2.04	2
1-1670990-1	A	A	PBT-GF10	BLACK/schwarz	2.04	1

THIS DRAWING IS A CONTROLLED DOCUMENT. DWN Madesh R 17AUG2012

CHG Rudresh B T 31AUG2012

NAME

10POS. MQS REC. HOUSING
10pol. MQS Buchsengehaeuse

SIZE A1 CAGE CODE 00779 DRAWING NO. 1670990

RESTRICTED TO NEW PUR

Customer Drawing /KUNDENZEICHNUNG SCALE MASSSTAB 5:1 SHEET BLATT 1 OF 1 REV. A2