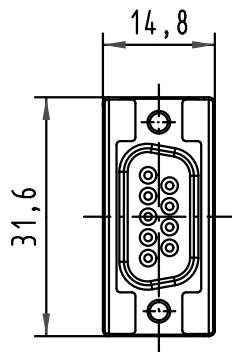
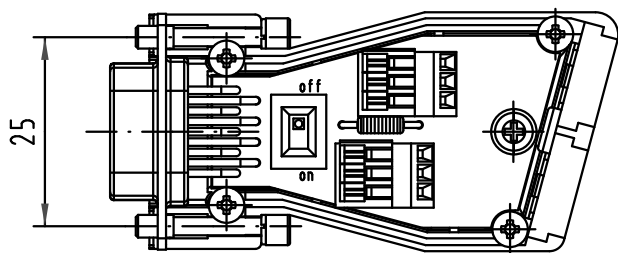
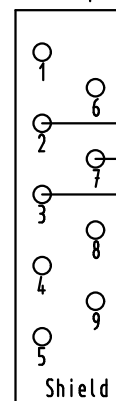


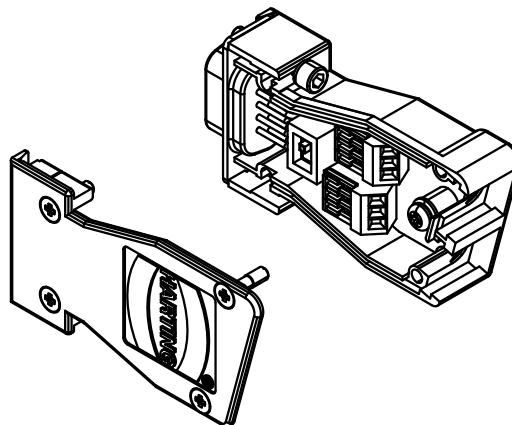
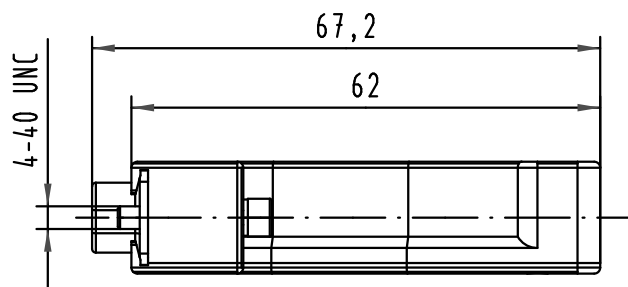
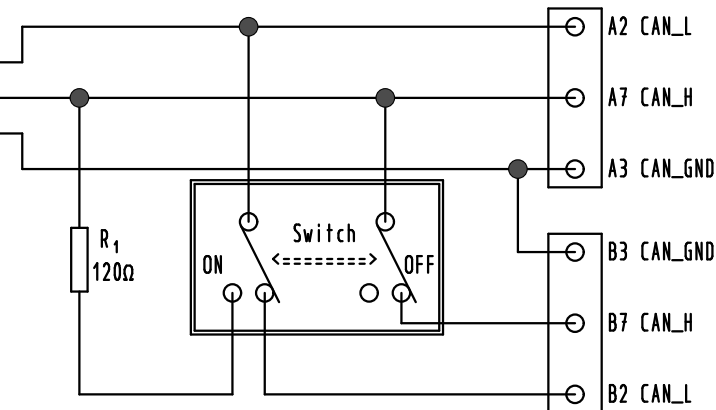
Darstellung ohne Deckel
view without cover



D-Sub 9 poles



CAN Interface



<p>All Dimensions in mm Original Size DIN A 4</p>	Techn. Character.			Nicht tolerierte Maßel Free size tolerances		
		Dat.	Name	Maßstab/Scale 1:1	<p>InduCom 9 Female - CAN - 4-40 UNC Without clamp accessory</p>	
		Detail.	02/09/10			BH
		Insp.				
	Stand.					
36178	08/10/10	SC	HARTING EURL F-95972 Paris		<p>TB 66 63 009 X009</p>	
36094	02/09/10	BH				
Mod.	Dat.	Name			<p>Sub.</p>	

66 63 009 5009	S4
Part number	Performance level