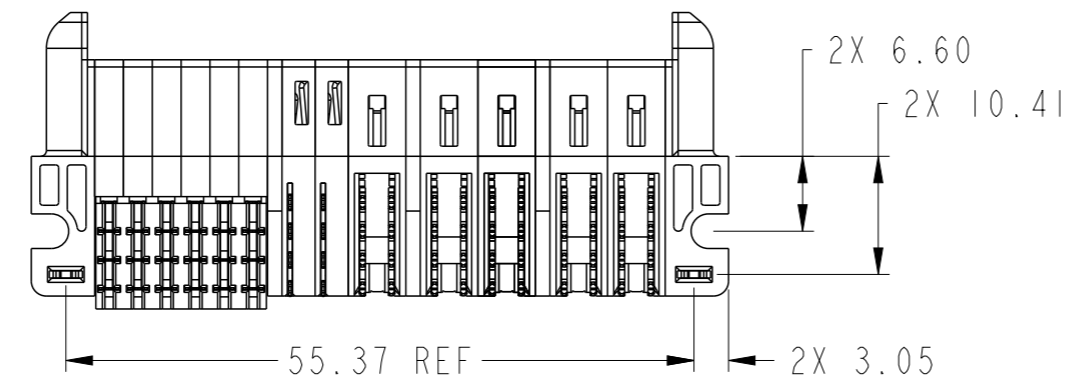
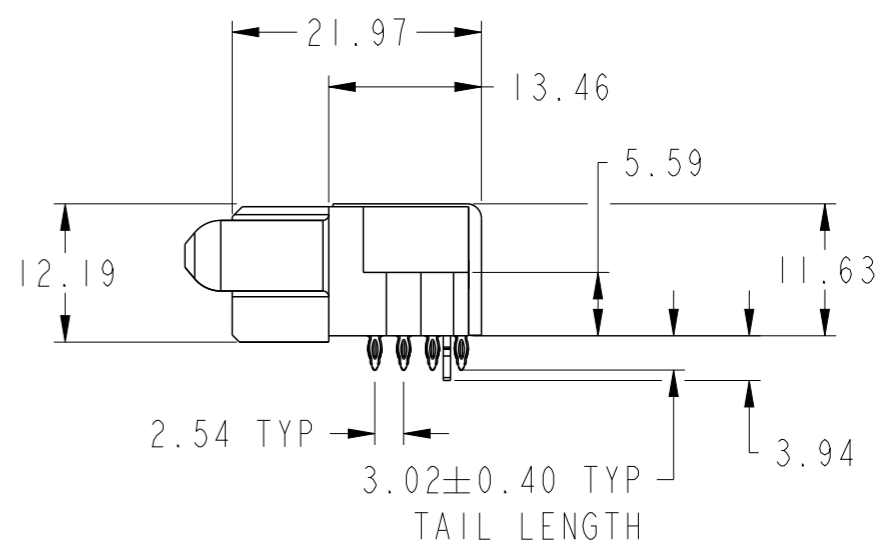
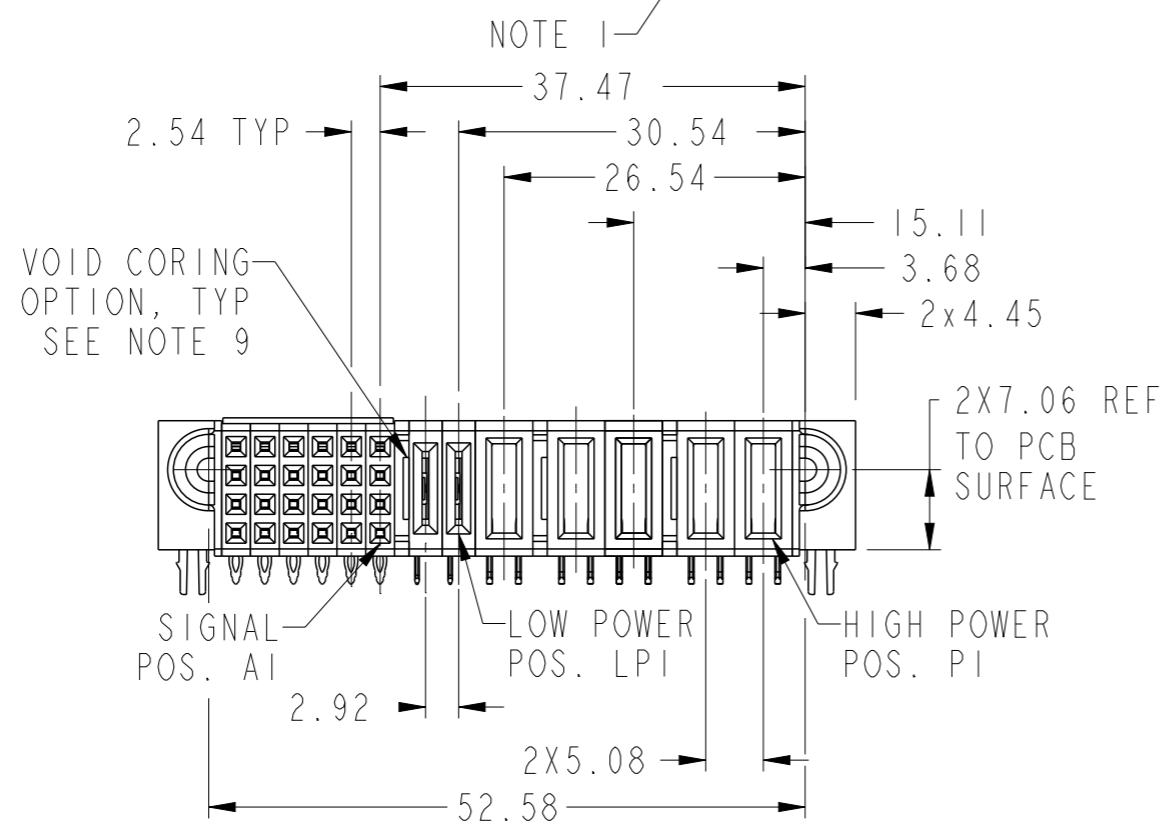
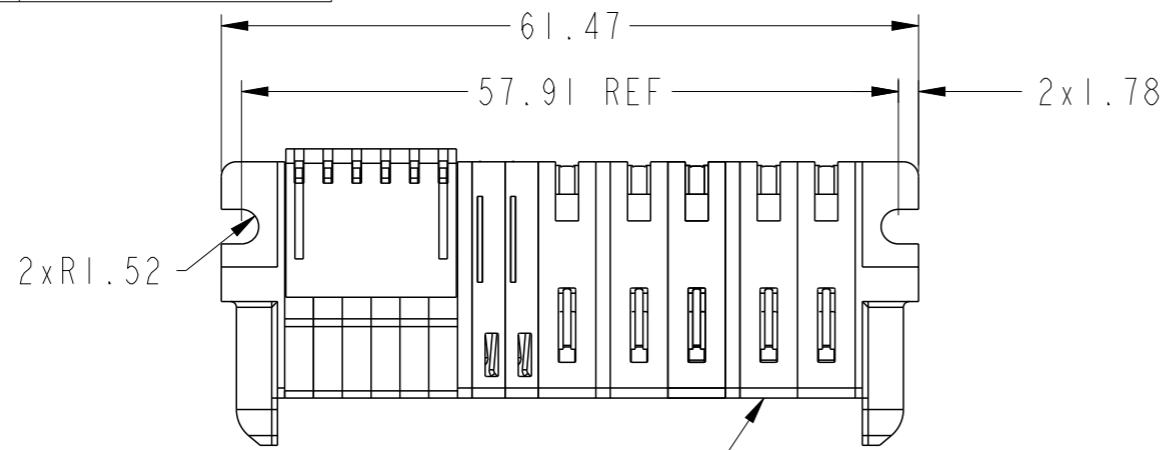


PRODUCT NUMBER SEE SHEET 2

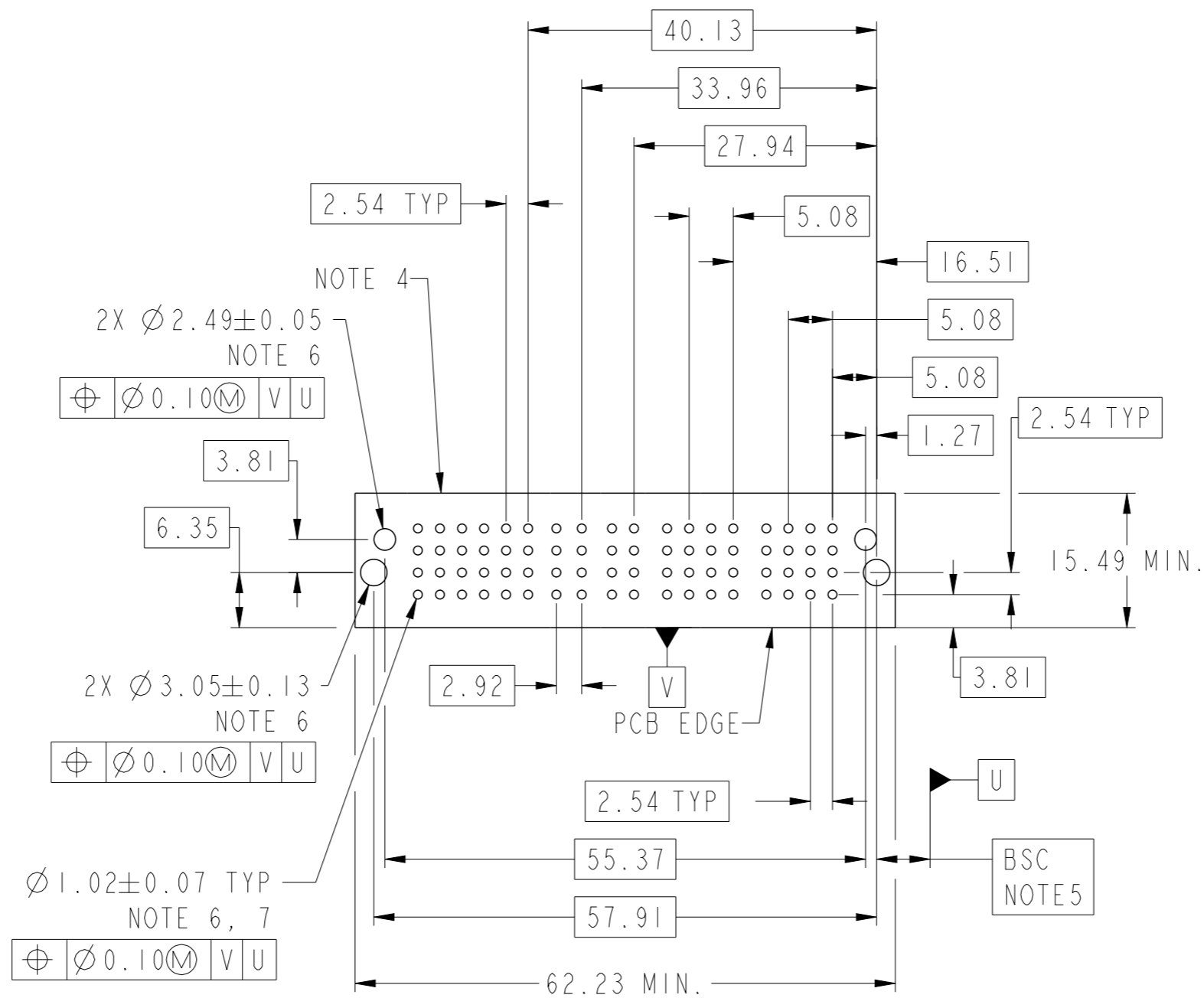


Copyright FCI.

spec ref	*	dr	Eddy Zeng	2014/03/27	projection	MM	size	A3	scale	3:2																		
tolerance std	ASME Y14.5	eng	Rainbow Zhan	2014/07/03			ecn no	-	rel level	Released																		
TOLERANCES UNLESS OTHERWISE SPECIFIED		chr	Li-He	2014/07/03							product family	PwrBlade+																
surface	<table border="1"> <tr> <td>linear</td> <td>0.X</td> <td>±0.5</td> </tr> <tr> <td></td> <td>0.XX</td> <td>±0.25</td> </tr> <tr> <td></td> <td>0.XXX</td> <td>±0.10</td> </tr> <tr> <td>angular</td> <td>0°</td> <td>±2°</td> </tr> </table>	linear	0.X	±0.5		0.XX	±0.25		0.XXX	±0.10	angular	0°	±2°	appr	Pei-Ming Zheng	2014/07/03			<table border="1"> <tr> <td>part no</td> <td>5HP + 2LP + 24S</td> </tr> <tr> <td>cat. no.</td> <td>RA PF RECEPTACLE</td> </tr> </table>	part no	5HP + 2LP + 24S	cat. no.	RA PF RECEPTACLE	<table border="1"> <tr> <td>dwg no</td> <td>10106265-5206001</td> </tr> <tr> <td>rev</td> <td>A</td> </tr> </table>	dwg no	10106265-5206001	rev	A
linear	0.X	±0.5																										
	0.XX	±0.25																										
	0.XXX	±0.10																										
angular	0°	±2°																										
part no	5HP + 2LP + 24S																											
cat. no.	RA PF RECEPTACLE																											
dwg no	10106265-5206001																											
rev	A																											
ASME Y14.5		www.fci.com			Product - Customer Drw		sheet 1 of 3																					

PRODUCT NO.	ROWS	SIGNAL						LP		HIGH POWER					E2
		E1	6	5	4	3	2	1	P7	P6	P5	P4	P3	P2	
10106265-5206001LF	DCBA	S	S	S	S	S	S	LT	LT	H5	H5	H5	H7	H7	
		R	R	R	R	R	R								
		P	P	P	P	P	P								
		N	N	N	N	N	N								

CODE	DESCRIPTION
H5	MFBL HIGH POWER CONTACT(3.02)
H7	STD HIGH POWER CONTACT(3.02)
HA	METAL HOLD DOWN
LT	STD LOW POWER CONTACT(3.02)
N	STD SIGNAL CONTACT, ROW A
P	STD SIGNAL CONTACT, ROW B
R	STD SIGNAL CONTACT, ROW C
S	STD SIGNAL CONTACT, ROW D

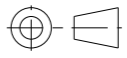
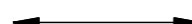



Copyright FCI.

dr	Eddy Zeng	2014/03/27	projection	MM	size	A3	scale	3:2
eng	Rainbow Zhan	2014/07/03			ecn no		-	
chr	Li-He	2014/07/03			rel level		Released	
appr	Pei-Ming Zheng	2014/07/03	product family		PwrBlade+		-	
			5HP + 2LP + 24S			dwg no		10106265-5206001
www.fci.com			RA PF RECEPTACLE			rev		A
cat. no.			Product - Customer Drw			sheet 2 of 3		

NOTES:

- 1) "FCI", PART NUMBER AND DATE CODE TO BE MARKED ON THIS SURFACE.
THE MARK CAN BE OMITTED IF THERE IS NOT ENOUGH SPACE ON THIS SURFACE.
- 2) MATERIALS:
-HOUSING - GLASS FILLED WITH HIGH TEMP THERMOPLASTIC, UL94V-0.
-SIGNAL CONTACT - COPPER ALLOY.
-POWER CONTACT - HIGH CONDUCTIVITY COPPER ALLOY.
- 3) PLATING SPECIFICATION REFER TO FCI 10116351
- 4) DENOTES CONNECTOR KEEP OUT ZONE.
- 5) DATUM AND BASIC DIMENIONS WERE ESTABLISHED BY CUSTOMER.
- 6) ALL HOLE DIAMETERS ARE FINISHED HOLE SIZES.
- 7) 1.15 ± 0.025 MM DRILLED HOLE PLATED WITH 0.00762MM MIN Sn
OVER 0.0254-0.0762MM Cu PLATING TO ACHIEVE A 1.02 ± 0.07 MM HOLE.
- 8) PRODUCT SPECIFICATION REFER TO FCI GS-12-658.
APPLICATION SPECIFICATION REFER TO FCI GS-20-141.
PRODUCT PACKAGED IN TRAYS, REFER TO FCI GS-14-1502.
- 9) THE VOID CORING IN BETWEEN POWER MODULES, SIGNAL
MODULES AND END MODULES ARE OPTIONAL AND THE SHAPE
MAY BE DIFFERENT FOR OPTIMIZE THE MOLDING PROCESS. THE
VOID CORING WILL NOT EFFECT TO PRODUCT FUNCTION.

dr	Eddy Zeng	2014/03/27	projection 	MM 	size	A3	scale	3:2
eng	Rainbow Zhan	2014/07/03			ecn no	-		
chr	Li-He	2014/07/03			product family	PwrBlade+	rel level	Released
appr	Pei-Ming Zheng	2014/07/03						
		title 5HP + 2LP + 24S RA PF RECEPTACLE			dwg no 10106265-5206001	rev A		
www.fci.com		cat. no.	Product - Customer Drw		sheet 3 of 3			

