



Main

Range of Product	Telemecanique Photoelectric sensors XU
Series name	Application material handling
Electronic sensor type	Photo-electric sensor
Sensor name	XUV
Sensor design	Fork
Detection system	Thru beam
Emission	Infrared
Passage width	1.18 in (30 mm)
Passage depth	1.57 in (40 mm)
Material	Plastic
Supply circuit type	DC
Wiring Technique	3-wire
Discrete output type	PNP
Discrete output function	1 NO
Electrical connection	Cable
Cable length	6.56 ft (2 m)
Product Specific Application	Detection of flags in lifts/transtockers
[Sn] nominal sensing distance	1.18 in (30 mm)

Complementary

Enclosure Material	ABS/PC
Lens material	PMMA
Type of output signal	Discrete
Output Type	Solid state
Output function governance	Dark
Cable composition	3 x 0.34 mm ²
Wire insulation material	PvR
Cable outer diameter	0.20 in (5 mm)
Status LED	Output state 1 LED red)
[Us] rated supply voltage	24 V DC reverse polarity protection
Supply voltage limits	19...38 V DC
Switching capacity in mA	<= 150 mA overload and short-circuit protection)
Switching frequency	<= 1 kHz
Maximum voltage drop	<1.5 V closed state)
Current consumption	<= 20 mA no-load
Maximum delay first up	30 ms
Maximum delay response	0.5 ms
Maximum delay recovery	0.5 ms
Setting-up	Without sensitivity adjustment
Depth	2.68 in (68 mm)
Height	2.32 in (59 mm)
Width	0.55 in (14 mm)
Net Weight	0.29 lb(US) (0.13 kg)

Environment

Product Certifications	CE
Ambient air temperature for operation	23...131 °F (-5...55 °C)
Ambient Air Temperature for Storage	-4...158 °F (-20...70 °C)
Vibration resistance	7 gn +/- 1 mm 10...42 Hz IEC 60068-2-6
Shock resistance	30 gn 11 ms) IEC 60068-2-27
IP degree of protection	IP54 IEC 60529

Ordering and shipping details

Category	22481 - SENSORS, PHOTOELECTRIC
Discount Schedule	DS2
GTIN	3389110748048
Nbr. of units in pkg.	1
Package weight(Lbs)	3.53 oz (100 g)
Returnability	Yes
Country of origin	FR

Packing Units

Unit Type of Package 1	PCE
Package 1 Height	0.98 in (2.5 cm)
Package 1 width	5.91 in (15 cm)
Package 1 Length	5.91 in (15 cm)
Unit Type of Package 2	S02
Number of Units in Package 2	25
Package 2 Weight	6.45 lb(US) (2.924 kg)
Package 2 Height	5.91 in (15 cm)
Package 2 width	11.81 in (30 cm)
Package 2 Length	15.75 in (40 cm)

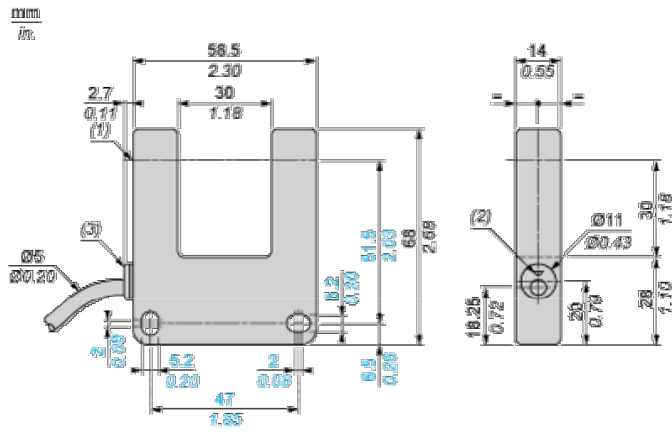
Offer Sustainability

Sustainable offer status	Green Premium product
California proposition 65	WARNING: This product can expose you to chemicals including: Diisononyl phthalate (DINP), which is known to the State of California to cause cancer, and Di-isodecyl phthalate (DIDP), which is known to the State of California to cause birth defects or other reproductive harm. For more information go to www.P65Warnings.ca.gov
REACH Regulation	REACH Declaration
EU RoHS Directive	Pro-active compliance (Product out of EU RoHS legal scope) EU RoHS Declaration
Mercury free	Yes
RoHS exemption information	Yes
Environmental Disclosure	Product Environmental Profile
Circularity Profile	End Of Life Information

Contractual warranty

Warranty	18 months
----------	-----------

Dimensions

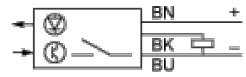


- (1) Optical axis
- (2) Red LED
- (3) Diffuser

Wiring Schemes (3-Wire DC)

NO Function

PNP Output



BN : Brown
BK : Black
BU : Blue

Detection Curve

