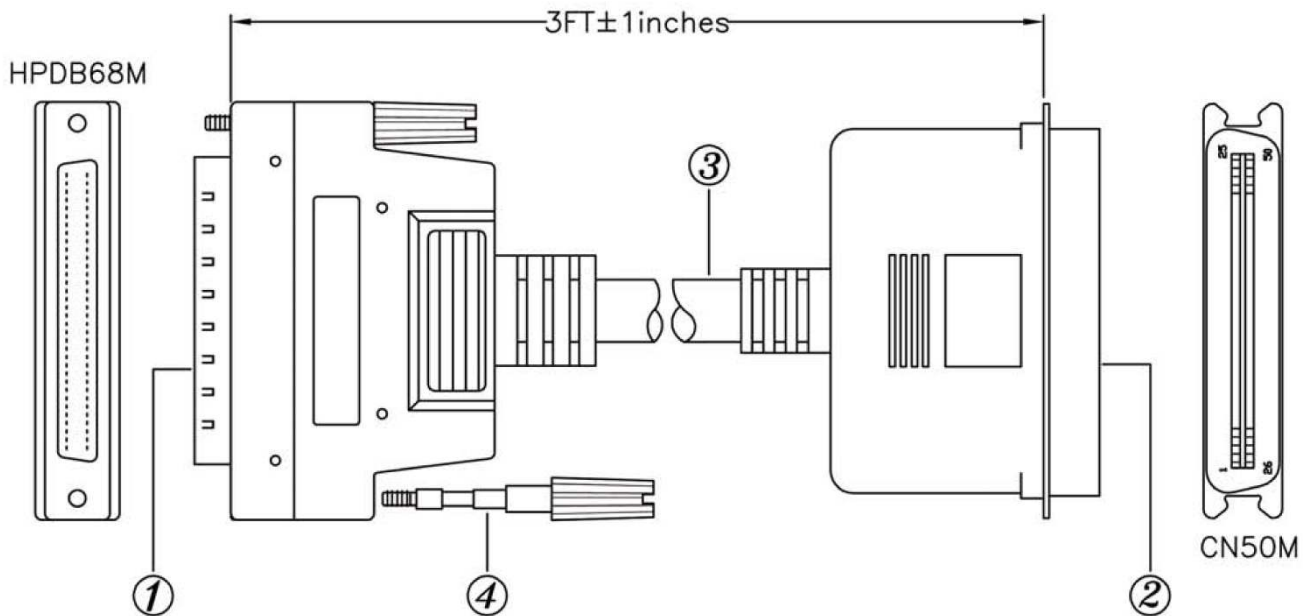
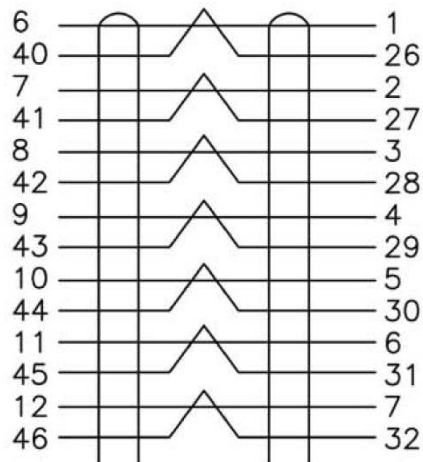


CONFIGURATION:
HPDB68M

CN50M



MAT'L:

1. CABLE: #28, UL2919, 25P+1+AL/MY+B, O.D:9.5(I.D:0.75mm)
2. CONNECTOR: HPDB68M, PIN
CN50M, BLACK
3. THUMBSCREW: #2-56UNC
4. COPPER TAPE: (10*135)+(35*110)
42*140

NOTE:

1. TOTAL LENGTH: 3FT ± 1inches
CABLE CUT: 3FT+5CM
2. COLOR: BEIGE
3. MOLDED TYPE
4. ROHS COMPLIANT

RoHS
Compliant

ITEM NO

AK-Y1302 (3 Feet)

TITLE

**Centronics 50 Pin Male to
D-Sub 68 Pin Male, Half Pitch (HP)**

ASSMANN
Electronics, Inc.

1840 W. Drake Drive, Suite 101 - Tempe, AZ 85283

Toll Free: 1-877-277-6266 Email: info@usa-assmann.com

THIS DRAWING IS UNPUBLISHED

©Copyright 2008 by Assmann Electronic Components
All International Rights Reserved