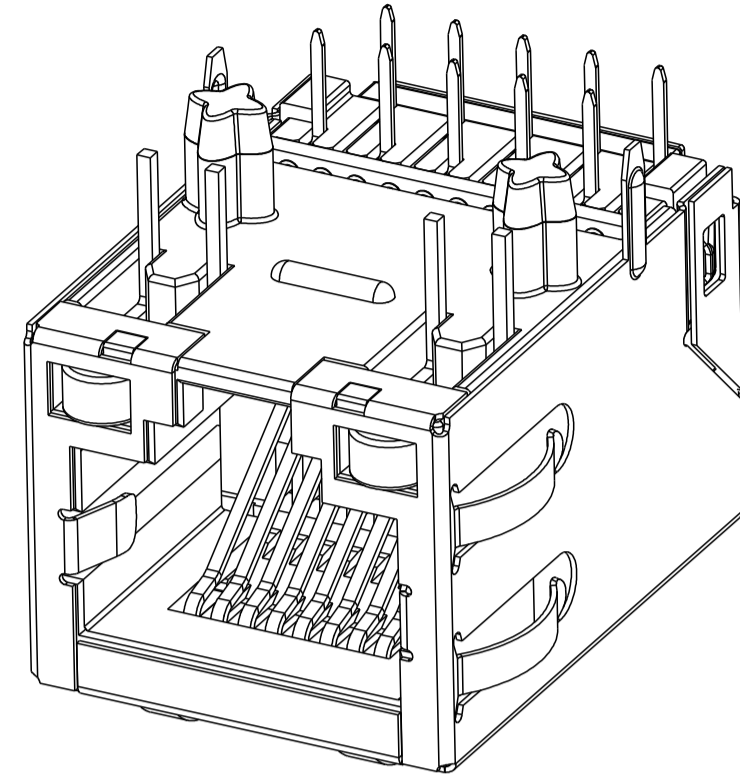
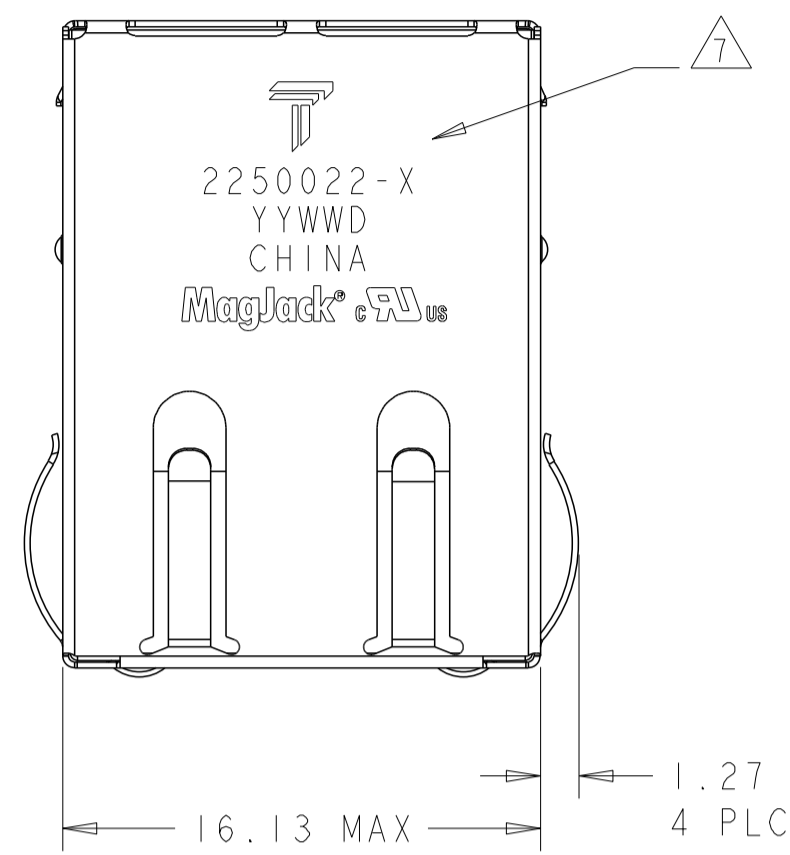


THIS DRAWING AND THE SUBJECT MATTER SHOWN THEREON ARE CONFIDENTIAL AND THE PROPERTY OF BEL/STEWART/TRP CONNECTOR AND SHALL NOT BE REPRODUCED, COPIED, OR USED IN ANY MANNER WITHOUT THE WRITTEN CONSENT OF TRP CONNECTOR.

PRODUCT MAY BE PROTECTED BY ONE OR MORE OF THE FOLLOWING US PATENTS:
 5736910 5939955 6425781 6428361 6554638 6840817 7123117
 7429195 7717749 7808751 6217391 6149050 7924130

REVISIONS				
#	LT#	DESCRIPTION	DATE	OWN APVD
11		SEE LAST SHEET	18JUL2017	JY TY



- MATERIALS
 - HOUSING: THERMOPLASTIC, FLAMMABILITY RATING UL 94V-0.
 - SHIELD: BRASS 0.20mm THICK, PREPLATED WITH 0.76um MIN SEMI-BRIGHT NICKEL. SOLDER TABS POST DIPPED WITH 2.54um MIN SAC SOLDER.
 - CONTACTS: PHOSPHOR BRONZE 0.46mm X 0.30mm, PHOSPHOR BRONZE, 1.27um MIN NICKEL UNDERPLATE, WITH 1.27um MIN GOLD PLATING AT MATING INTERFACE AND 2.54um MIN MATTE TIN ON SOLDER TAILS,
 - SOLDER TAILS: 0.25mm THICK, PHOSPHOR BRONZE, 1.27um MIN OVERALL NICKEL UNDERPLATE, 3um TIN PLATE
 - LIGHT EMITTING DIODE (LED): DIFFUSED EPOXY LENS, 0.5mm X 0.5mm CARBON STEEL WIREFRAME LEADS PREPLATED WITH 2.03um MIN. SILVER PLATE OVER 1.02um MIN. NICKEL OVER 1.02um MIN. COPPER UNDERPLATE; LEADS POST-PLATED WITH 3.05um MIN. MATTE TIN, TIP TIN DIPPING.

2 RJ45 JACK CAVITY CONFORMS TO FCC RULES AND REGULATIONS PART 68 SUB PART F.

- MAGNETICS
 - APPLICATION: 10/100/1000 BASE-T
 - IMPEDANCE: 100 OHMS
 - TURNS RATIO (CHIP:CABLE): 1:1 ALL FOUR PAIRS
 - OPEN CIRCUIT INDUCTANCE (OCL): 350uH MIN. @100kHz, 0.1VRMS, 8mADC BIAS FROM 0°C TO 70°C, ALL FOUR PAIRS
 - ALL FOUR PAIRS BI-DIRECTIONAL
 - PERFORMANCE @ 25°C:
 - INSERTION LOSS (IL): 1.1dB MAX. FROM 0.5MHz TO 100MHz
 - RETURN LOSS (RL): 18dB MIN FROM 0.5MHz TO 40MHz
 - 12-20LOG(f/80)dB MIN. FROM 40.1MHz TO 100MHz
 - CROSSTALK ATTENUATION: 35dB MIN. FROM 0.5MHz TO 40MHz
 - 33-20LOG(f/50)dB MIN. FROM 40.1MHz TO 100MHz
 - COMMON MODE REJECTION RATIO (CMRR): 30dB MIN. FROM 0.5MHz TO 100MHz
 - ISOLATION VOLTAGE: 2250VDC FOR 60 SECONDS WITH A RISE TIME OF 500 V/SEC

4. OPERATING TEMPERATURE: FROM 0°C TO +70°C.

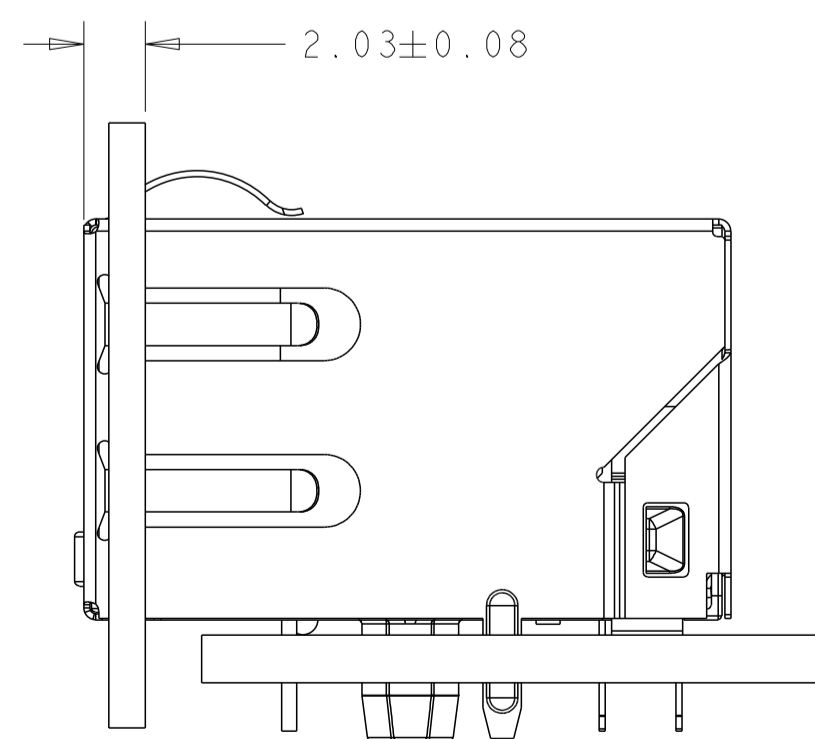
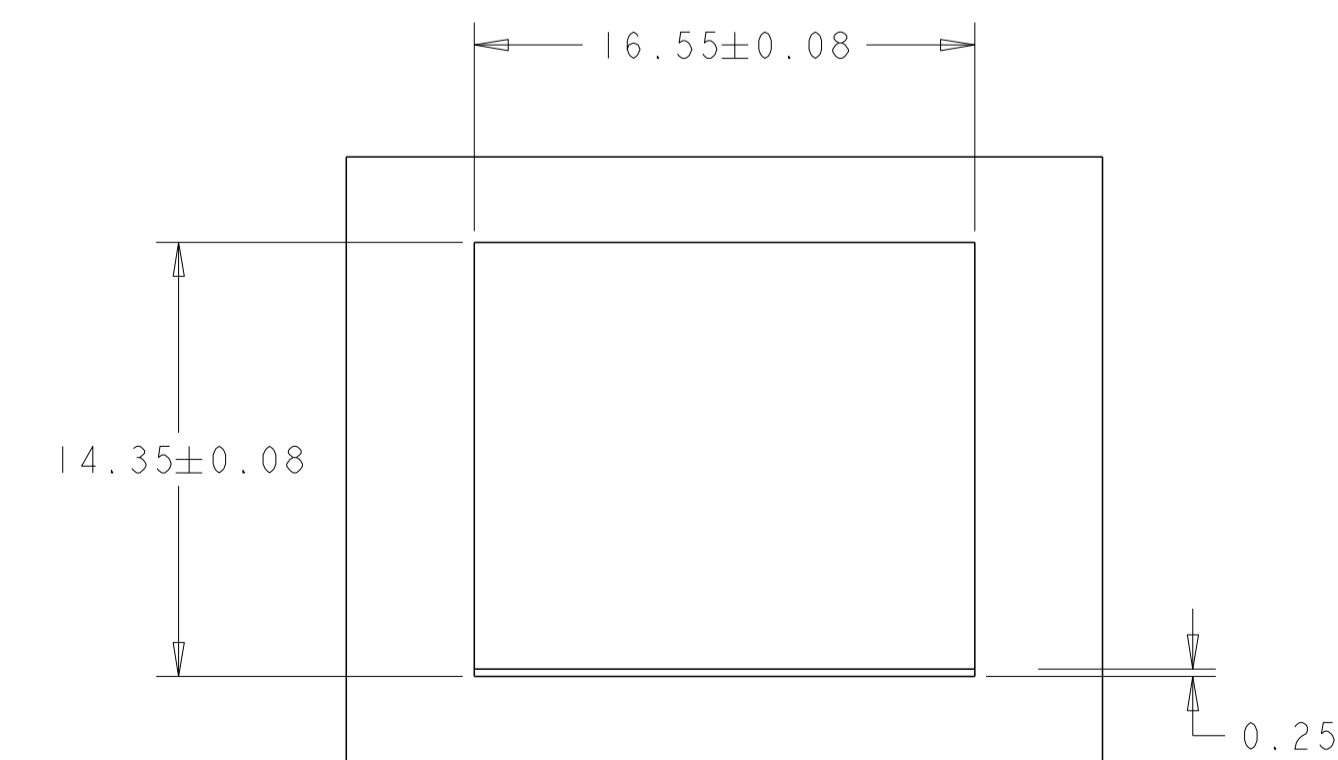
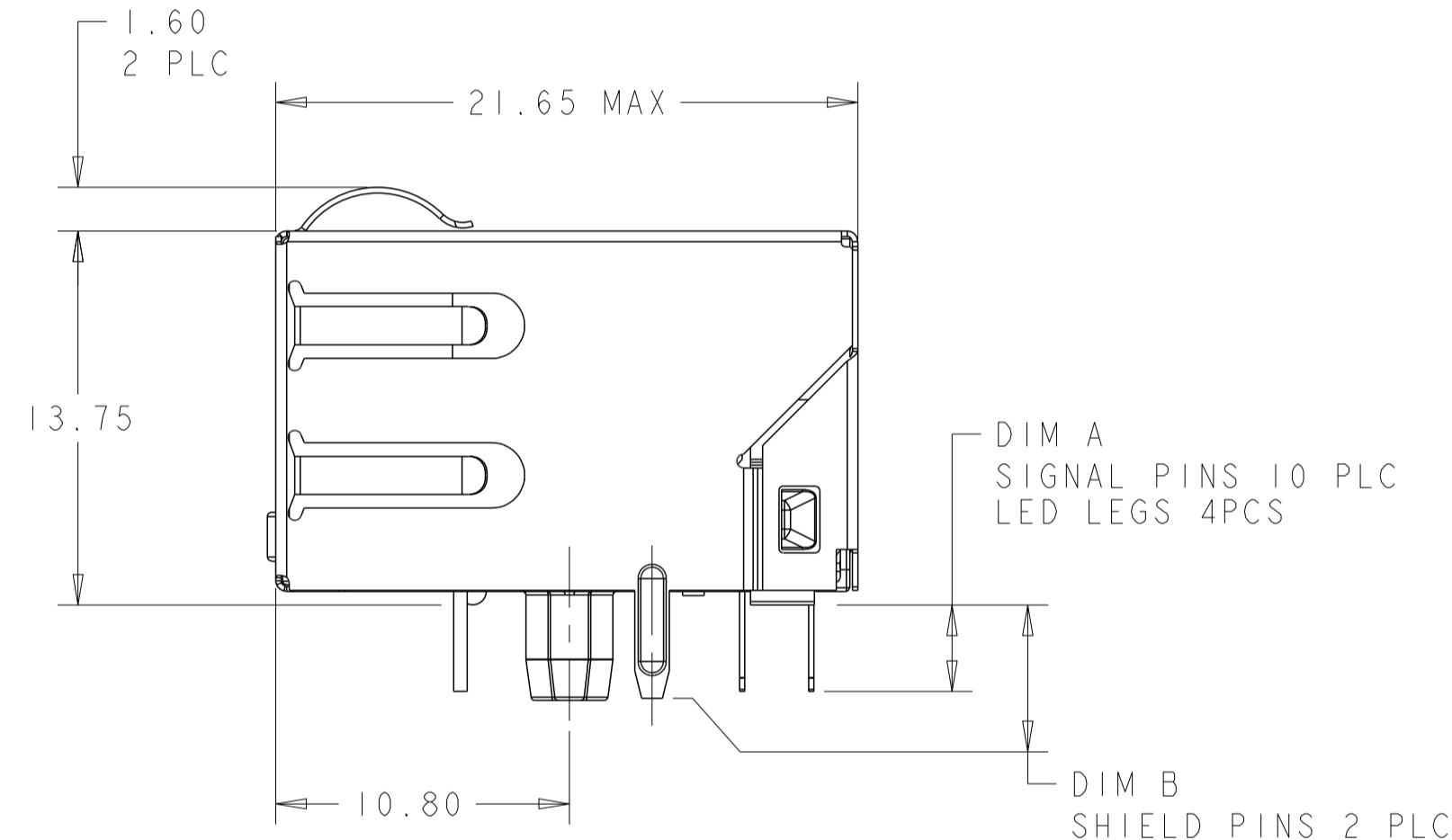
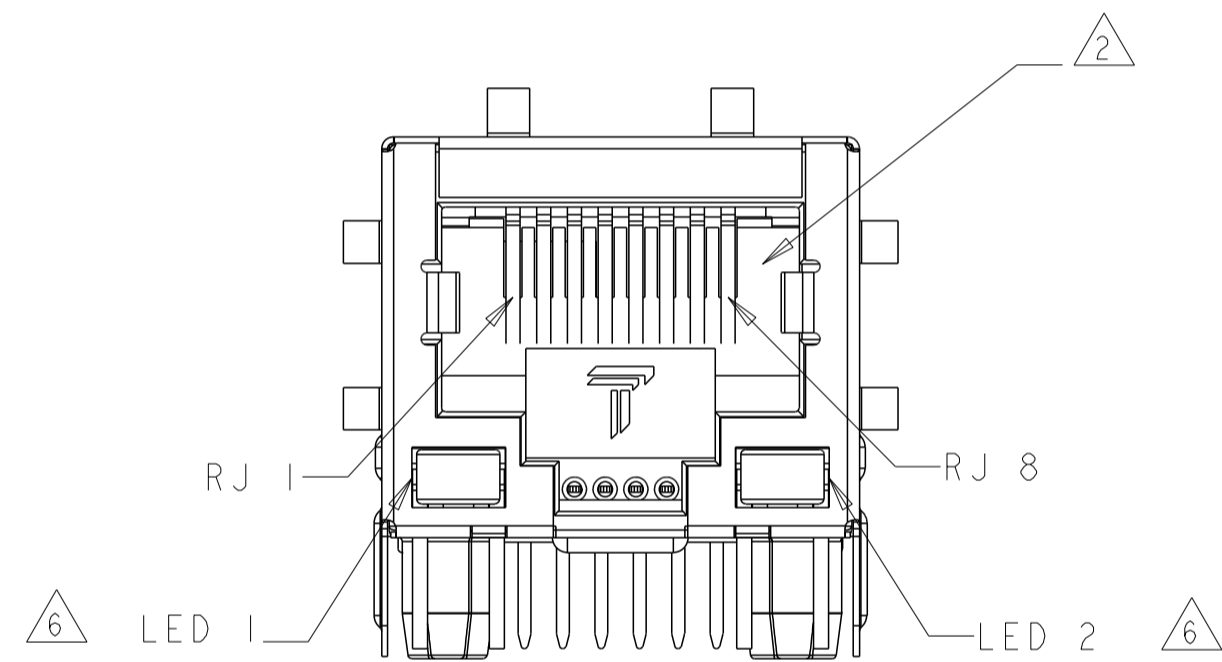
5 INDICATED MAGNETIC CONNECTIONS ARE SYMMETRICAL TO SUPPORT AUTO-MDI/MDIX.

6 THE 250 OHM LED RESISTORS ARE OPTIONAL, PLEASE SEE CHART FOR PRESENCE OR ABSENCE OF RESISTORS. IF LEDS WITHOUT 250 OHM RESISTORS, LEDS ARE DRIVEN WITH CONSTANT CURRENT AT APPROX 20mA

- LED COLOR: DOMINATE WAVELENGTH (λD): GREEN 568 nm TYP. AT IF = 20mA
 FORWARD VOLTAGE (VF): GREEN 2.2V TYP. at IF = 20mA
 DOMINATE WAVELENGTH (λD): YELLOW 588 nm TYP. AT IF = 20mA
 FORWARD VOLTAGE (VF): YELLOW 2.1V TYP. at IF = 20mA
 DOMINATE WAVELENGTH (λD): AMBER 590±3 nm AT IF = 20mA
 FORWARD VOLTAGE (VF): AMBER 2.1V at IF = 20mA
 DOMINATE WAVELENGTH (λD): ORANGE 605 nm TYP. AT IF = 20mA
 FORWARD VOLTAGE (VF): ORANGE 2.1V TYP. at IF = 20mA
 DOMINATE WAVELENGTH (λD): ULTRA LOW WAVELENGTH GREEN (ULWG) 525 nm TYP. AT IF = 20mA
 FORWARD VOLTAGE (VF): ULTRA LOW WAVELENGTH GREEN (ULWG) 2.8V TYP. at IF = 20mA
 BUILT-IN 250 OHM RESISTORS. LEDS ARE DRIVEN WITH 5V VOLTAGE AND THE MAX OPERATING CURRENT IS 20mA
 LED COLOR: DOMINATE WAVELENGTH (λD): GREEN 568 nm TYP. @ VF=5V
 FORWARD CURRENT (IF): GREEN 12mA TYP @ VF = 5V
 DOMINATE WAVELENGTH (λD): YELLOW 588 nm TYP. @ VF=5V
 FORWARD CURRENT (IF): YELLOW 13mA TYP @ VF = 5V

7 TRP CONNECTOR LOGO, PART NUMBER, DATE CODE, COUNTRY OF ORIGIN AND AGENCY APPROVAL MARKING IN APPROXIMATE LOCATION SHOWN.

8. THESE PARTS ARE RECOMMENDED FOR WAVE SOLDERING PROCESS, PREHEAT TEMPERATURE IS 120°C TO 160°C, 120 SECONDS TO 180 SECONDS, PEAK WAVE SOLDERING TEMPERATURE IS 260°C MAX, 10 SECONDS MAX.



SUGGESTED PANEL CUTOUT
SCALE 4:1

HIGH TEMPERATURE	3.43	3.68	GREEN	-	NO	GREEN	-	NO	1-2250022-5
HIGH TEMPERATURE	4.19	4.19	GREEN	-	NO	YELLOW	-	NO	1-2250022-4
NORMAL TEMPERATURE	3.43	3.68	ULWG	AMBER	NO	ULWG	AMBER	NO	1-2250022-3
HIGH TEMPERATURE	3.43	3.68	GREEN	-	NO	YELLOW	-	NO	1-2250022-2
NORMAL TEMPERATURE	3.43	3.68	GREEN	-	NO	GREEN	-	NO	1-2250022-1
NORMAL TEMPERATURE	3.43	4.19	ULWG	AMBER	NO	ULWG	AMBER	NO	1-2250022-0
NORMAL TEMPERATURE	3.43	2.30	GREEN	YELLOW	NO	GREEN	-	YES	2250022-9
NORMAL TEMPERATURE	3.43	3.68	GREEN	-	NO	YELLOW	-	NO	2250022-8
NORMAL TEMPERATURE	3.43	2.30	GREEN	YELLOW	NO	GREEN	-	NO	2250022-7
HIGH TEMPERATURE	3.43	2.30	GREEN	YELLOW	NO	GREEN	YELLOW	NO	2250022-6
HIGH TEMPERATURE	3.43	3.68	GREEN	-	YES	GREEN	-	YES	2250022-5
NORMAL TEMPERATURE	3.43	3.68	GREEN	YELLOW	NO	GREEN	YELLOW	NO	2250022-4
NORMAL TEMPERATURE	3.43	2.30	GREEN	ORANGE	NO	YELLOW	-	NO	2250022-3
NORMAL TEMPERATURE	3.43	2.30	GREEN	-	YES	GREEN	-	YES	2250022-2
NORMAL TEMPERATURE	3.43	2.30	GREEN	YELLOW	NO	GREEN	YELLOW	NO	2250022-1
HOUSING TEMPERATURE	DIM B	DIM A	11-12	12-11	250 OHMS RESISTOR	13-14	14-13	250 OHMS RESISTOR	PART NUMBER
			LED 1			LED 2			

THIS DRAWING IS A CONTROLLED DOCUMENT AND COMPLIANT TO ASME Y14.5M

CHW ROY LIU 20MAY2013
 TOWER YU/FRANK LIU 20MAY2013
 APVD TONY YIJIAN 20MAY2013

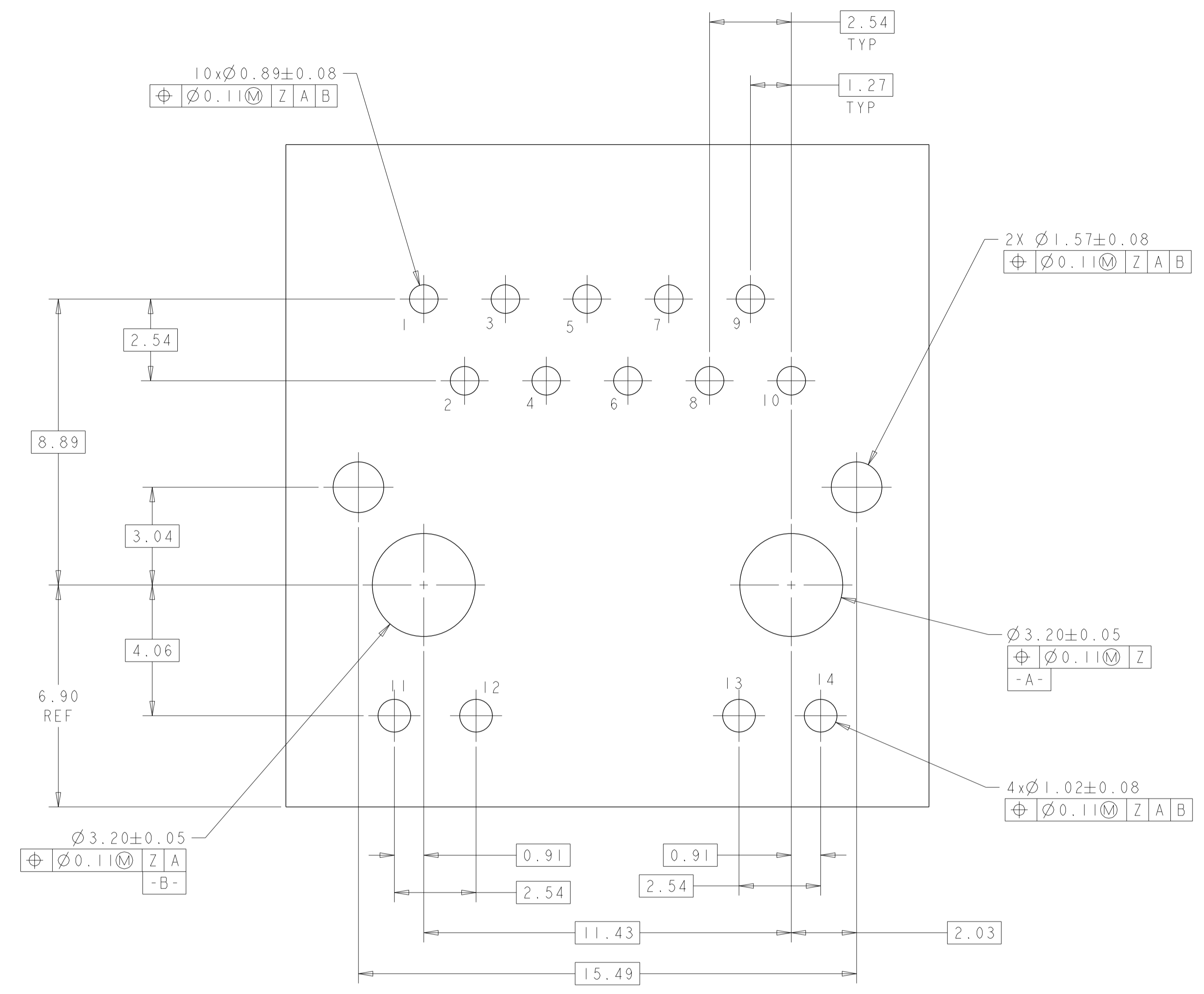
DIMENSIONS: mm
 TOLERANCES UNLESS OTHERWISE SPECIFIED:
 0 PLC ±0.25
 1 PLC ±0.25
 2 PLC ±0.25
 3 PLC ±
 4 PLC ±
 ANGLES
 PRODUCT SPEC APPLICATION SPEC

MODEL NAME: MAGJACK
 DESC: SINGLE Non-PoE

SCALE: 4:1 SHEET 1 OF 3 REV 11

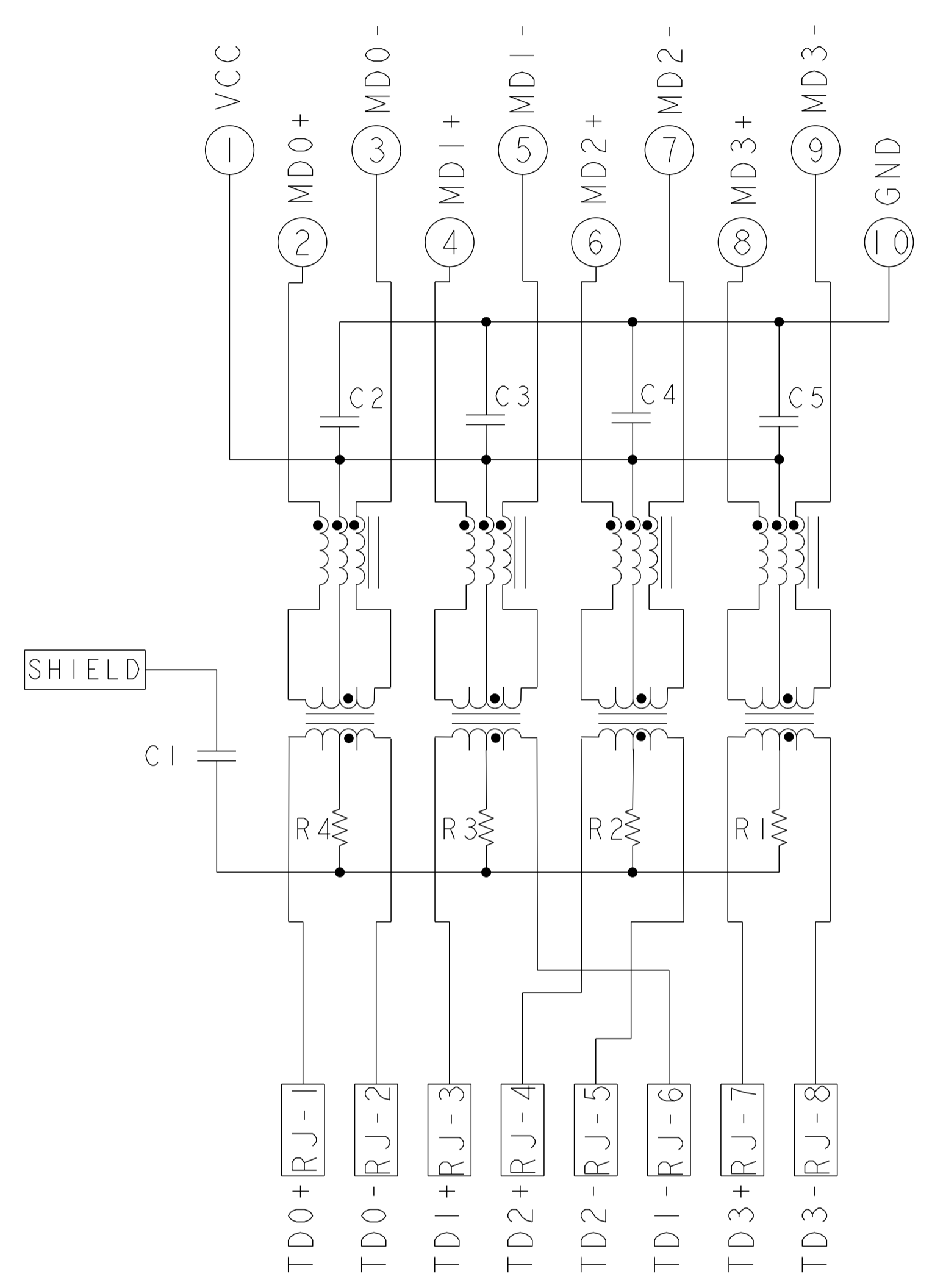
TRP CONNECTOR
 a bel group
 DONGGUAN CHINA

IXI 4G46PI GIGABIT TAB DOWN W/ LED
 C=2250022



SUGGESTED PCB LAYOUT
 COMPONENT SIDE


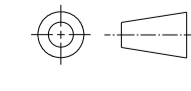
4G46PI GIGABIT CIRCUIT



C1=1000pF, 2kV, CAPACITOR
 R1-R4=75 Ohms, RESISTORS
 C2-C5=0.1uF, 50V CAPACITOR

THIS DRAWING IS A CONTROLLED DOCUMENT. AND COMPLIANT TO ASME Y14.5M		DWN: ROY LIU 20MAY2013 CHG: TOWER YU/FRANK LIU 20MAY2013 APP'D: TONY YUAN 20MAY2013	DONGGUAN CHINA
DIMENSIONS: mm TOLERANCES UNLESS OTHERWISE SPECIFIED: 0 PLC ±0.25 1 PLC ±0.25 2 PLC ±0.25 3 PLC ± 4 PLC ± ANGLES ° APPLICATION SPEC	MODEL NAME: MAGJACK PRODUCT SPEC: SINGLE Non-PoE 108-104004	DESC: I XI 4G46PI GIGABIT TAB DOWN W/ LED SIZE: A1 CAGE CODE: 2250022 DRAWING NO: 108-104004	

C_2250022					STOCK DISPOSITION			
REVISION HISTORY					A: CONTINUE AS IS B: REWORK C: SCRAP		D: USE OLD FIRST E: PARTS TO CONFORM F: OTHER	
DATE	REV	CHANGES	REASON	APPROVAL	INVENTORY (A,B,C,D,E,F)	WORK IN PROCESS (A,B,C,F)	SUPPLIER ORDERS (A,E,F)	OPEN CUST ORDERS (A,E,F)
20MAY2013	1	-	INITIAL RELEASE	TONY YUAN	-	-	-	-
07JUN2013	2	DELETE DASH NUMBER 2250022-9	MARKET REQUIREMENT	TONY YUAN	-	-	-	-
24FEB2014	3	ADD DASH NUMBER 2250022-9	MARKET REQUIREMENT	TONY YUAN	-	-	-	-
06MAR2014	4	ADD DASH NUMBER 1-2250022-0	MARKET REQUIREMENT	TONY YUAN	-	-	-	-
01SEP2014	5	ADD DASH NUMBER 1-2250022-1 BASED ON 2250022-5 (REMOVE RESISTORS FROM LEDS, HOUSING BECOME NORMAL TEMP) ADD DASH NUMBER 1-2250022-2 BASED ON 2250022-8 (CHANGE PLASTIC TO HIGH TEMPERATURE)	MARKET REQUIREMENT	TONY YUAN	-	-	-	-
11OCT2014	6	NOTE 6: ADD AMBER LED SPEC PART LIST: 1-2250022-0, CHANGE ULWG/YELLOW TO ULWG/AMBER	MARKET REQUIREMENT	TONY YUAN	-	-	-	-
13JAN2015	7	1.EC-1411035 COMPANY LOGO CHANGE 2.CHANGE DIM A OF 1-2250022-0 FROM 4.19 TO 3.68	MARKET REQUIREMENT	TONY YUAN	-	-	-	-
29APR2015	8	SHEET1, B3: CHANGE DIM A TO DIM B CHANGE DIM B TO DIM A	ERROR CORRECTION	TONY YUAN	-	-	-	-
02JUN2015	9	SHEET1, ITEM BLOCK: 1. CHANGE DIM A FROM 3.68 TO 4.19 FOR 1-2250022-0 2. ADD DASH NUMBER 1-2250022-3	EC-1506001	TONY YUAN	-	-	-	-
20JUL2016	10	ADD DASH NUMBER 1-2250022-4 BASED ON 1-2250022-2 FOR CHANGE PIN LENGTH TO 4.19	MARKET REQUIREMENT	TONY YUAN	-	-	-	-
18JUL2017	11	ADD DASH NUMBER 1-2250022-5 BASED ON 1-2250022-1 (CHANGE PLASTIC TO HIGH TEMPERATURE)	MARKET REQUIREMENT	TONY YUAN	-	-	-	-

THIS DRAWING IS A CONTROLLED DOCUMENT. AND COMPLIANT TO ASME Y14.5M		OWN ROY LIU 20MAY2013	 TRP CONNECTOR a bel group DONGGUAN CHINA
DIMENSIONS: mm		CHK TOWER YU/FRANK LIU 20MAY2013	
 0 PLC ±0.25 1 PLC ±0.25 2 PLC ±0.25 3 PLC ± 4 PLC ± ANGLES APPLICATION SPEC		APP'D TONY YUAN 20MAY2013	
PRODUCT SPEC 108-104004	TOLERANCES UNLESS OTHERWISE SPECIFIED:	MODEL NAME MAGJACK	DESC 1X1 4G46PI GIGABIT TAB DOWN W/ LED
CUSTOMER DRAWING		SIZE A1	RESTRICTED TO
SCALE 4:1		DRAWING NO C=2250022	
SHEET 3 OF 3		REV 1	