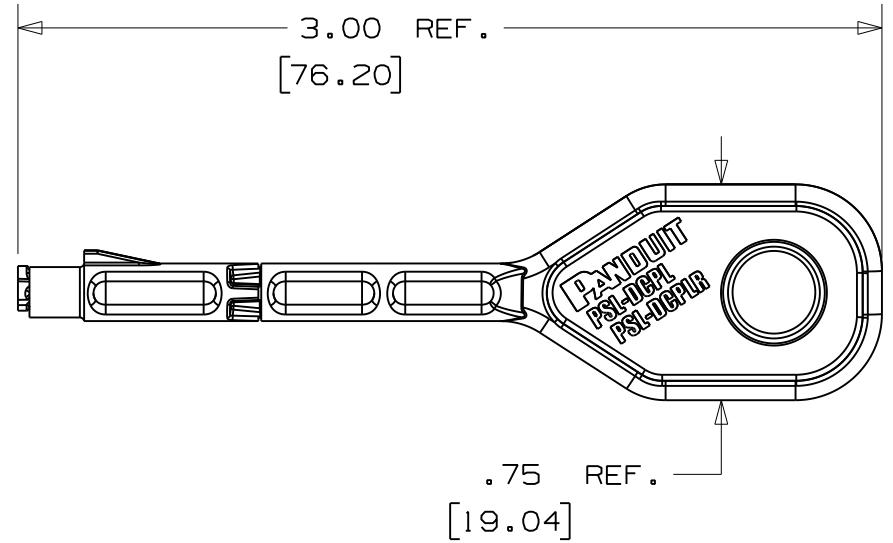
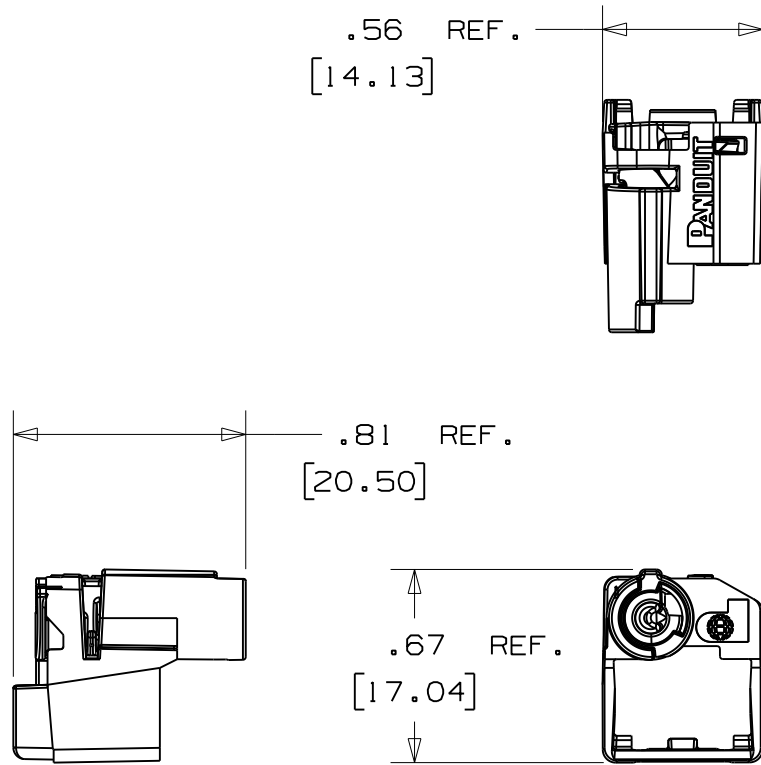


THIS COPY IS PROVIDED ON A RESTRICTED BASIS AND IS NOT TO BE USED IN ANY WAY DETRIMENTAL TO THE INTERESTS OF PANDUIT CORP.



KEY

PSL - DCPLS

CAD FILENAME/LAYERS 100913AB\_DC\_C10774/00

PANDUIT CORP. TINLEY PARK, ILLINOIS

PSL - DCPLS

UNLESS OTHERWISE SPECIFIED,  
DIMENSIONAL TOLERANCES ARE:  
(.X) ± .05 (.XXX) ± .010  
(.XX) ± .02 ANGLES ± 2°

UNLESS OTHERWISE SPECIFIED,  
ALL DIMENSIONS ARE GIVEN  
IN INCHES, THIRD ANGLE PROJECTION.

DRAWN BY  
MROB  
DATE  
03/31/09  
CHK'D

MAT'L: LOCK-IN  
POLYCARBONATE  
KEY  
10% GF NYLON

SCALE 1.5:1  
DRAWING NO. C10774  
DWG SIZE A

1	03/31/09	MROB		DRAWING RELEASED	5722	1					
REV	DATE	BY	CHK	DESCRIPTION	ECN	R	CUST	SUP			