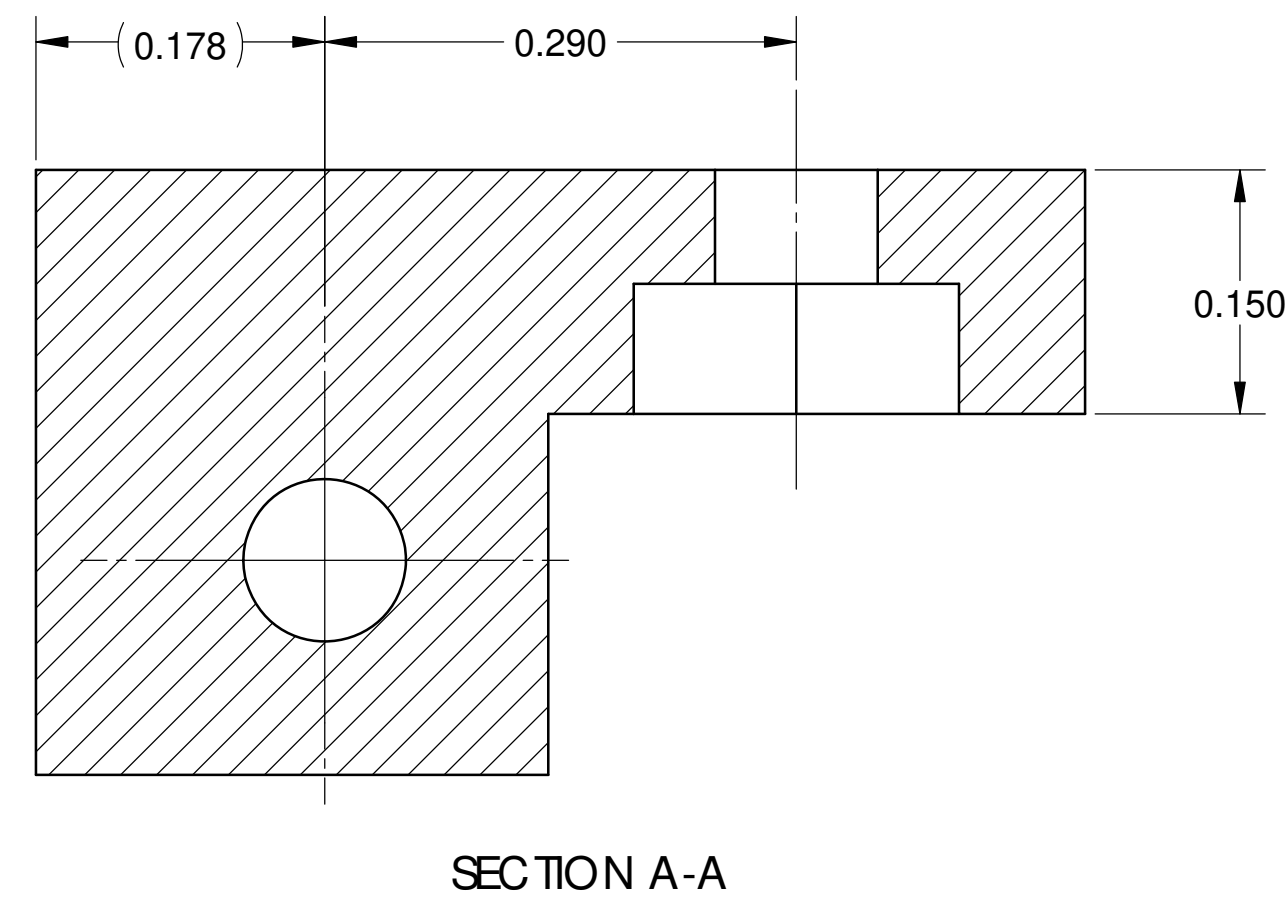
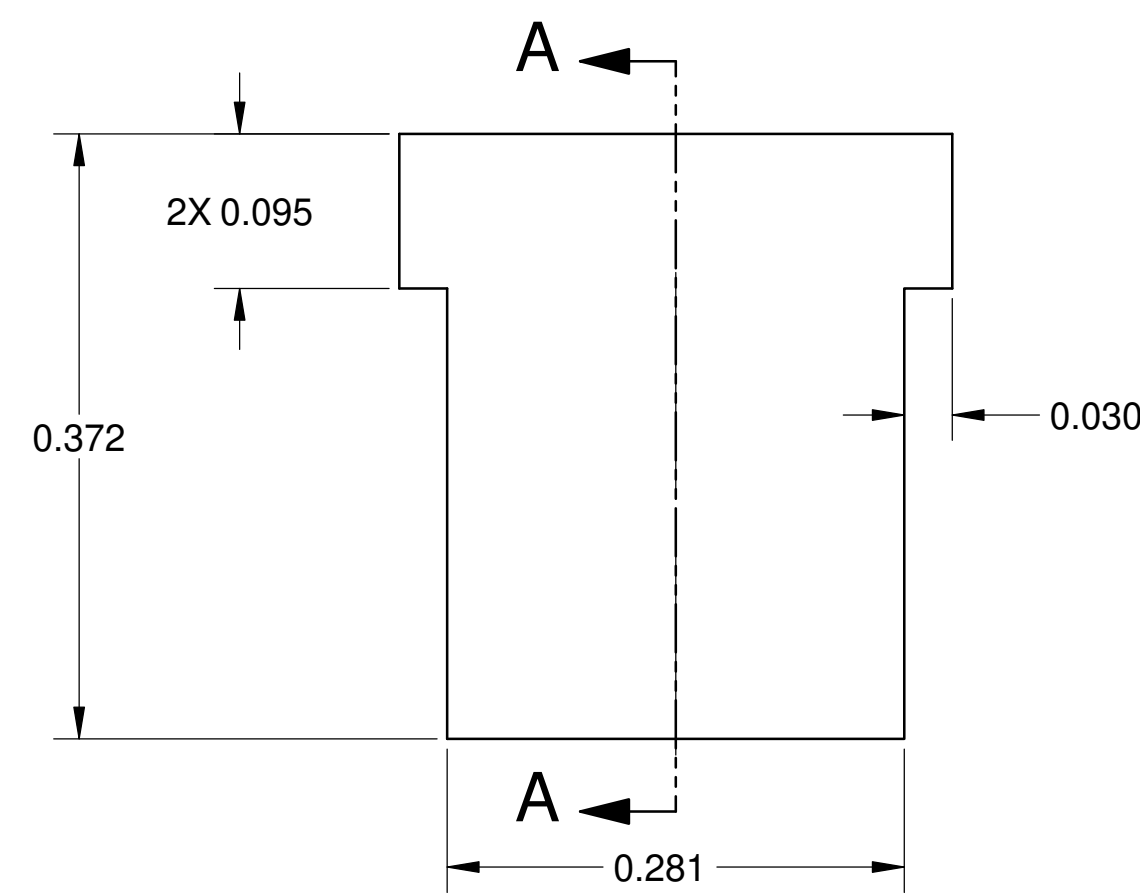
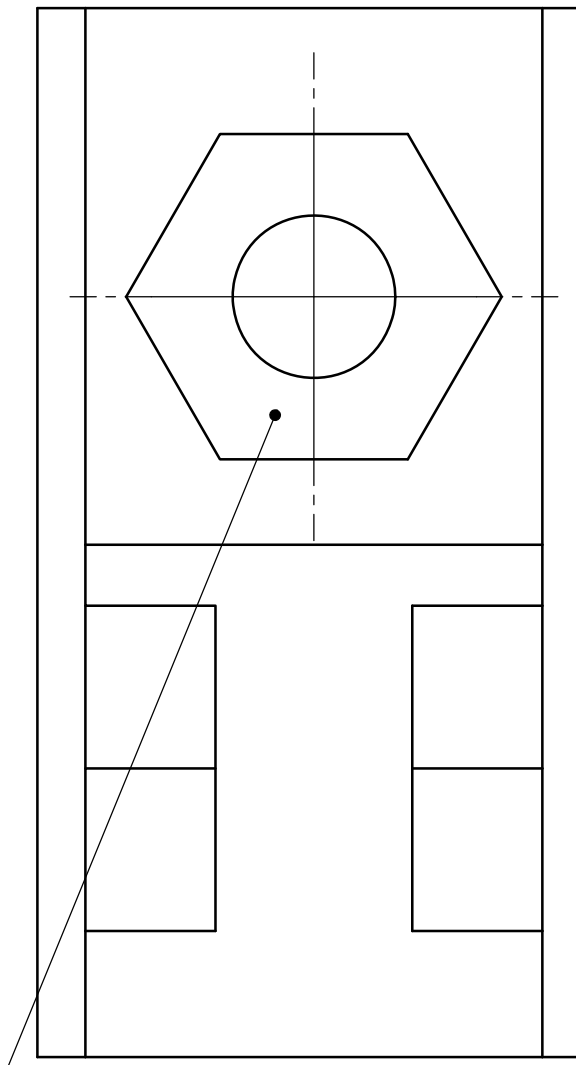
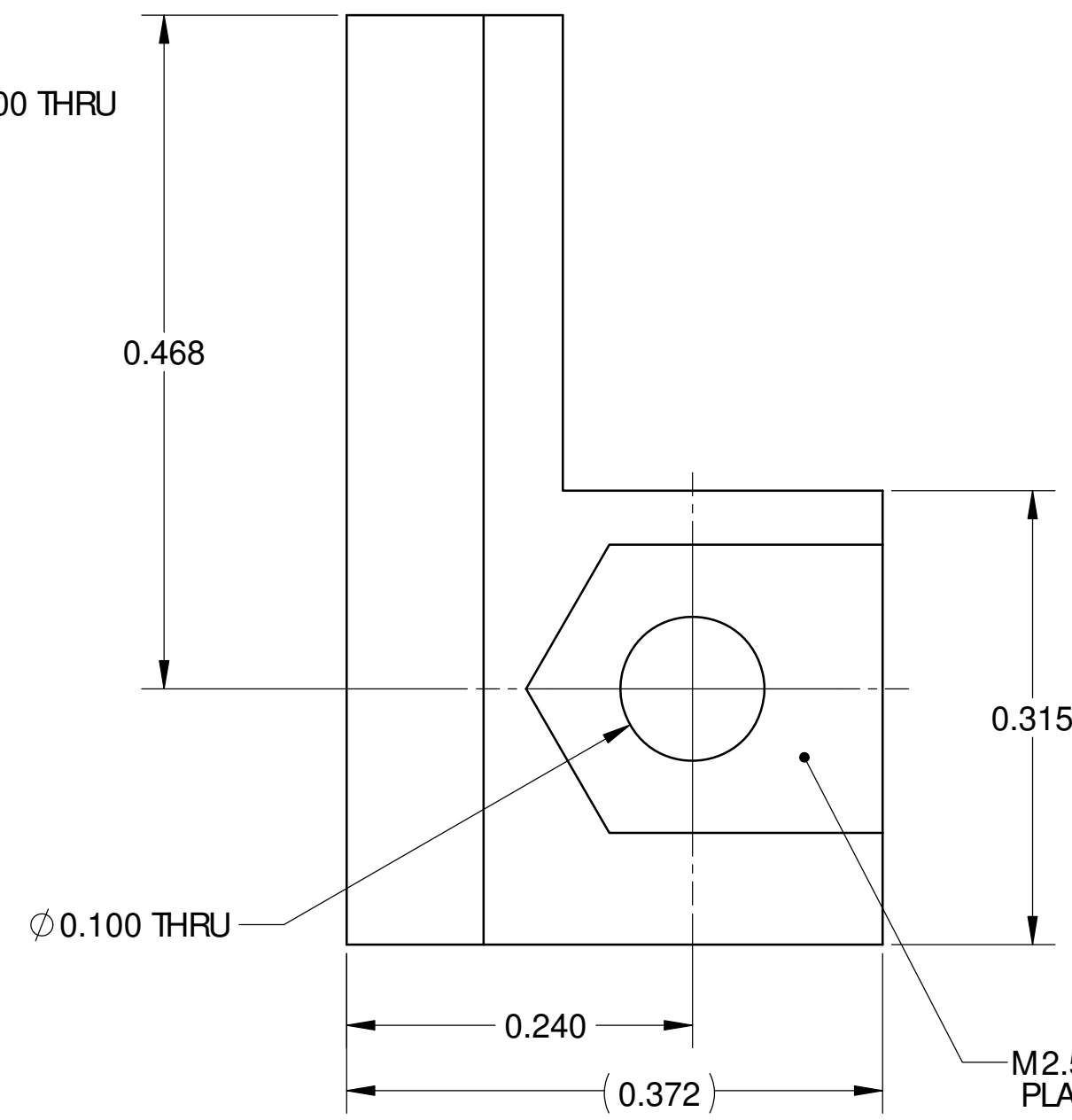
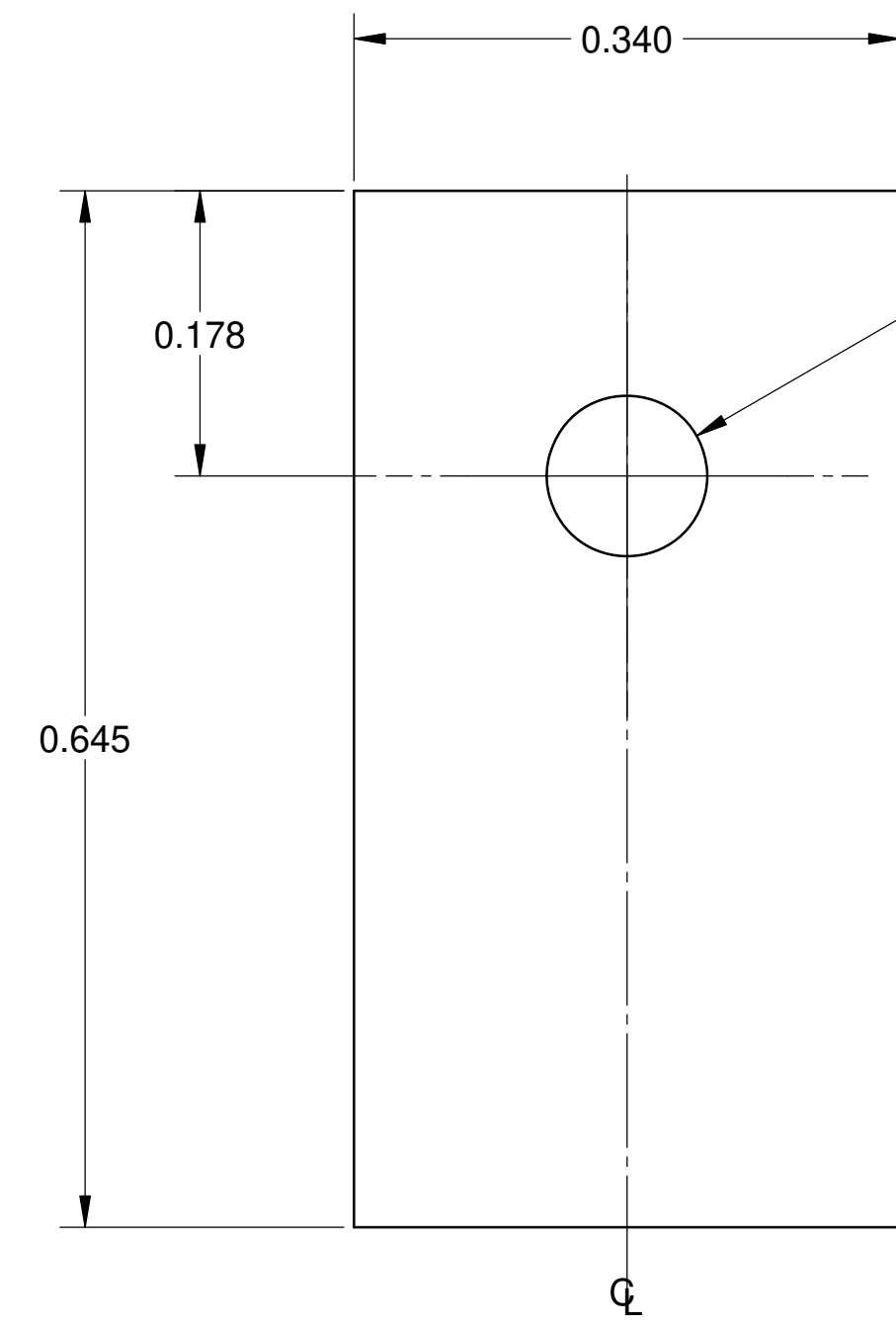


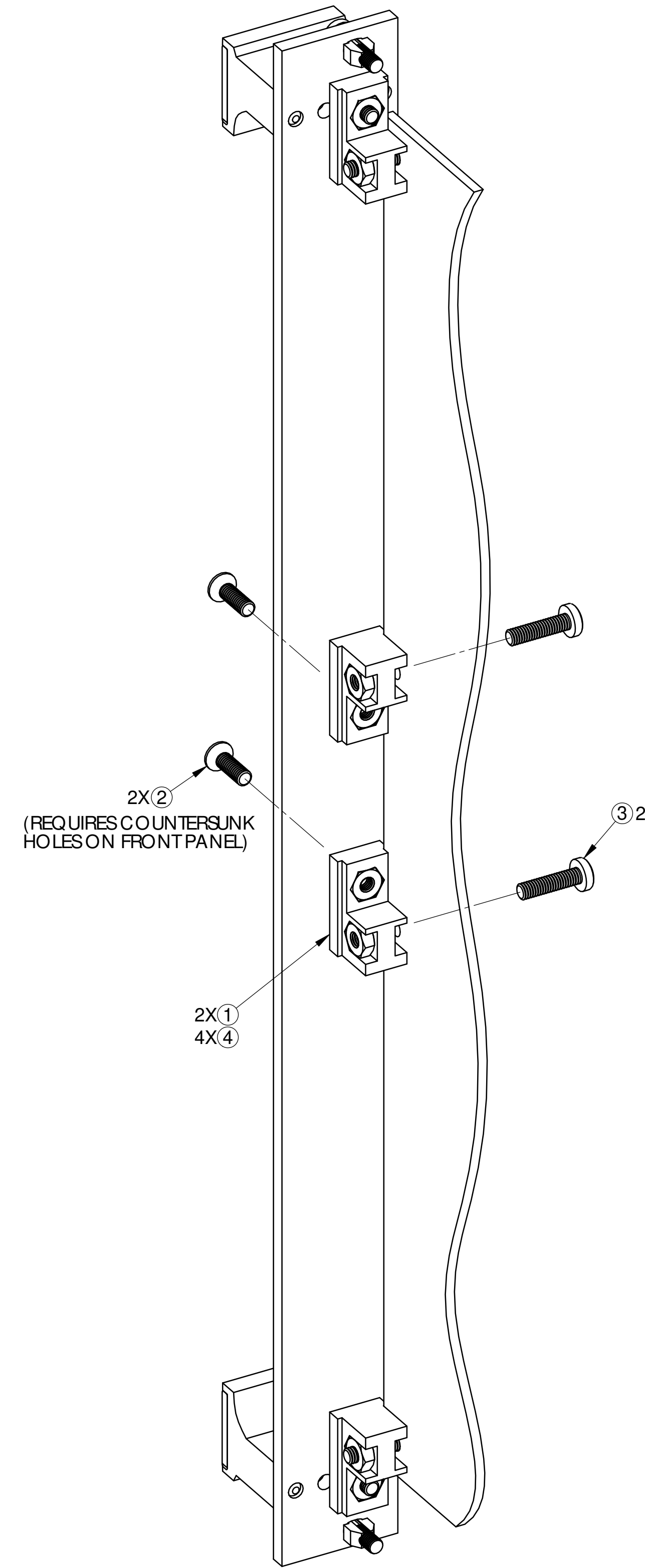
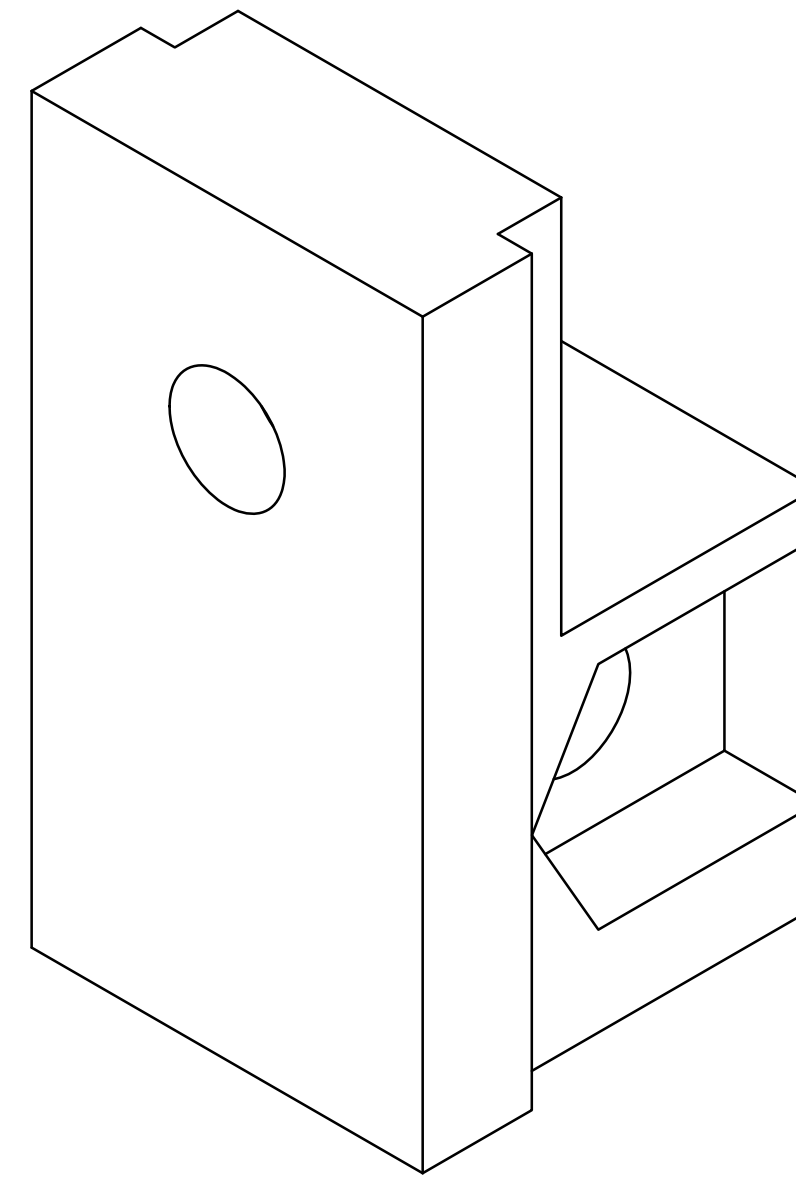
PROPRIETARY AND CONFIDENTIAL
 THE INFORMATION CONTAINED IN THIS DRAWING IS THE SOLE PROPERTY OF
 VECTOR ELECTRONICS & TECHNOLOGY, INC. ANY REPRODUCTION IN PART
 OR AS A WHOLE WITHOUT THE WRITTEN PERMISSION OF VECTOR ELECTRONICS
 & TECHNOLOGY, INC IS PROHIBITED.

REVISIONS				
ZONE	REV	DESCRIPTION	DATE	APPROVED
ALL	A	INITIAL RELEASE	03/14/16	

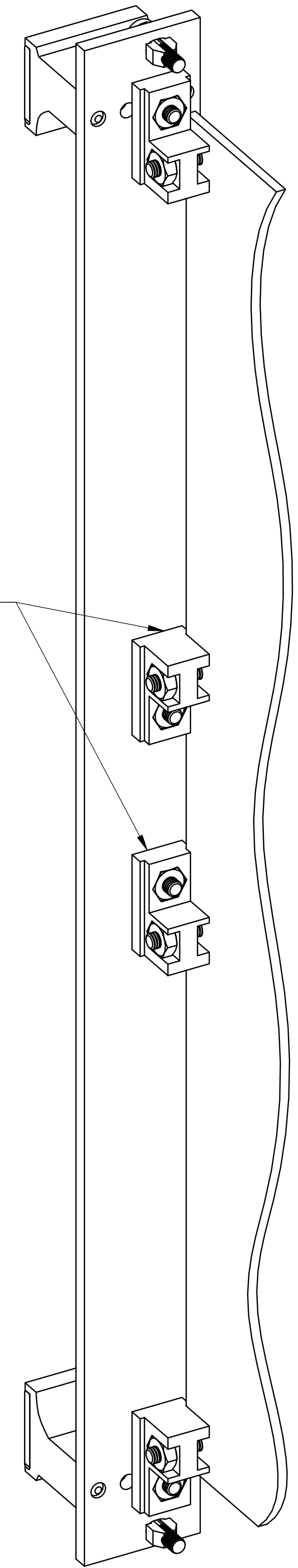


CENTER L-BRACKET DETAIL

①



L-BRACKET KIT EXPLODED VIEW



L-BRACKET KIT ASSEMBLED VIEW

HD102, CM05 AND CM05/100 PARTS LIST

ITEM NO	DESCRIPTION	PART NO	QTY REQ'D FOR P/N			U/M
			HD102	CM05	CM05/100	
1	CENTER L-BRACKET, NYLON, BLACK	94300001	2	2	100	EACH
2	SCREW, FLAT HEAD, M2.5-0.45X8mm	95000003	2	-	-	EACH
3	SCREW, PAN HEAD, M2.5-0.45X10mm	88000106	2	2	100	EACH
4	HEX NUT, M2.5X0.45-6H	95000006	4	4	200	EACH
5	WASHER, SPLIT LOCK, #3	W3-1#	-	2	100	EACH

UNLESS OTHERWISE SPECIFIED: DIMENSIONS ARE IN INCHES TOLERANCES		NAME	DATE	VECTOR ELECTRONICS & TECHNOLOGY, INC. www.vectorlect.com	TITLE: VANDERBILT NORTH HOLLYWOOD, CA 91655
DEC. XX	±0.1	DRAWN	TRG/AR		
DEC. XXX	±0.03	CHECKED			
DEC. XXXX	±0.010	ENG APPR			
FRACTIONS	±0.050	MFG APPR			
ANGLES	±1°				
THIRD ANGLE PROJECTION		Q.A.			
MATERIAL		COMMENTS			
FINISH					

L-BRACKET KIT PLASTIC

SIZE DWG. NO. REV
D HD102-CM05 A

SCALE 8:1 CAGE CODE: 82893 SHEET 1 OF 1