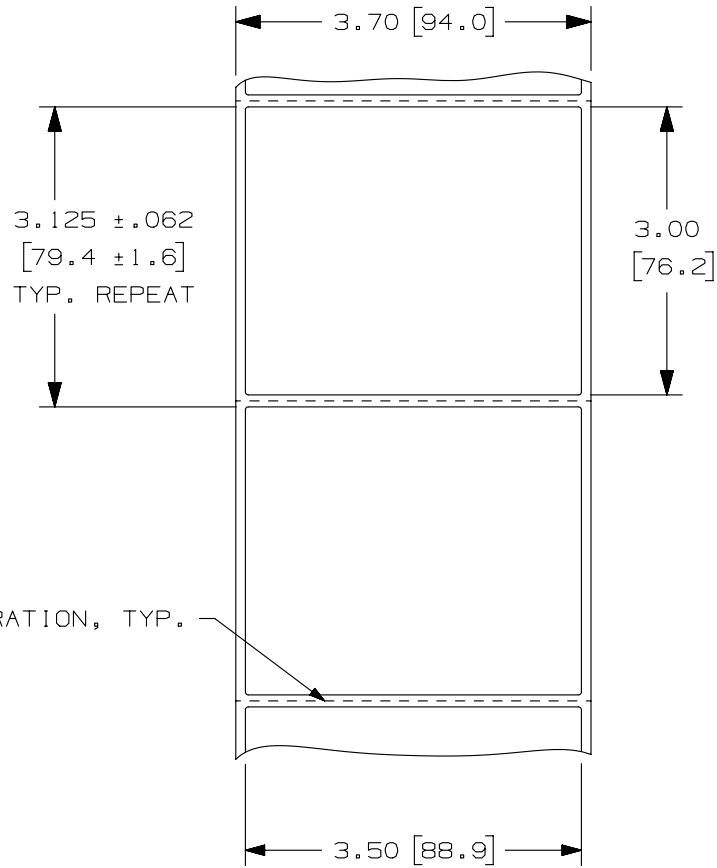
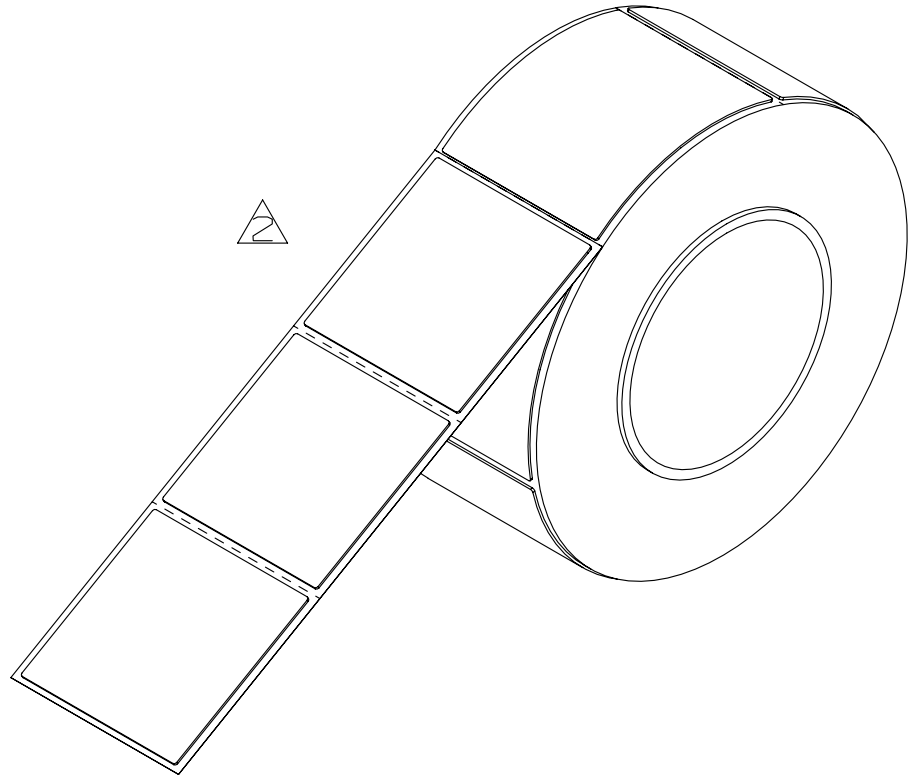


THIS COPY IS PROVIDED ON A RESTRICTED BASIS AND IS NOT TO BE USED IN ANY WAY DETRIMENTAL TO THE INTERESTS OF PANDUIT CORP.

NOTES:  
1. DIMENSIONS IN [ ] ARE  
IN MILLIMETERS.



PANDUIT PART NO.	MATERIAL	FACE COLOR	PKG. QTY.	THICKNESS	PRODUCT TYPE
C350X300A0T	GMH3	BLACK	500	.030 +/- .010	COMPONENT LABEL
C350X300A8T		YELLOW			
C350X300APT	GMH3-W	WHITE			
C350X300AUT	GMH3	ORANGE			



TITLE					
<b>RAISED PANEL COMPONENTS LABELS</b> <b>C350X300A*T</b> CUSTOMER DRAWING					
ITEM REVISION NAME					
100491C0/03					
DATASET FILE NAME					
100491C0-DC-C10833/03C					
UNLESS OTHERWISE SPECIFIED, DIMENSIONAL TOLERANCES ARE: IN [ mm ]					<b>PANDUIT</b> <sup>TM</sup>  SEE TABLE
.x ± .12 [ 3.05 ] .xxx ± .025 [ .635 ]					
.xx ± .062 [ 1.57 ] ANGLES ±					
 THIRD ANGLE PROJECTION					DRAWING NUMBER:
					C10833
DRAWN BY	DATE	CHK	SCALE		
RVU	5/4/10	MSAD	NTS		
REV	DATE	BY	CHK	APR	DESCRIPTION
2	1/21/13	RVU	DAPE	SEWH	ADD material column and ISO view. Update part numbers sequence list.
1	5/6/11	RVU	DAPE		ADD NEW PN: C300X100AUT.
0	5/4/10	RVU	DAPE		DRAWING RELEASE.
					ECN
					GAECN00542
					6348
					6037
					SHT 1 OF 1
					A

D10100DA/12