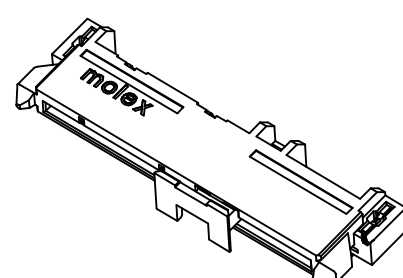
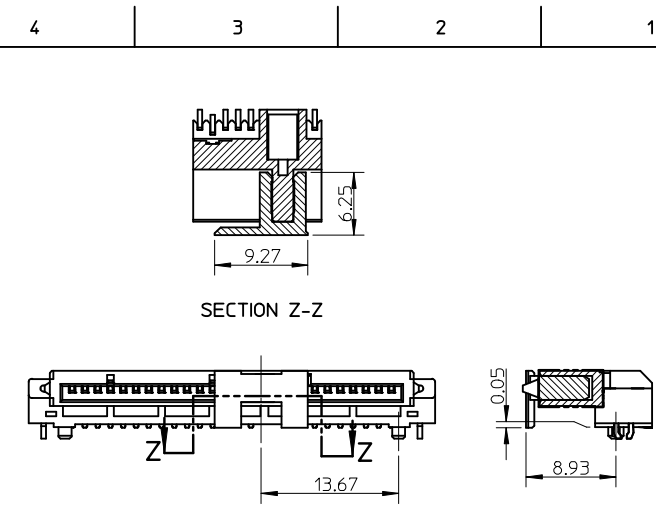
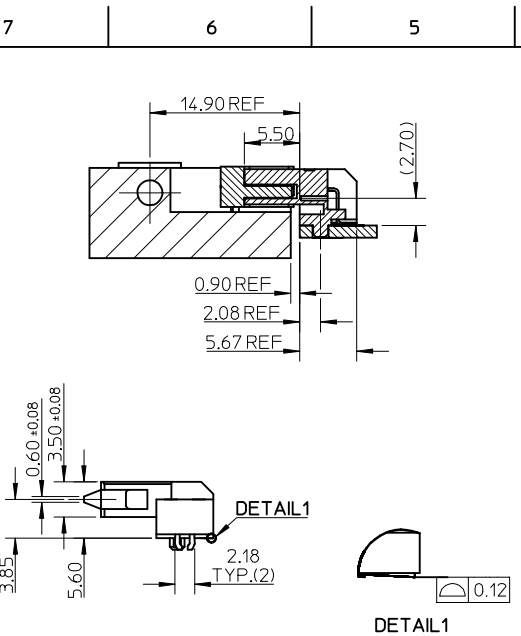
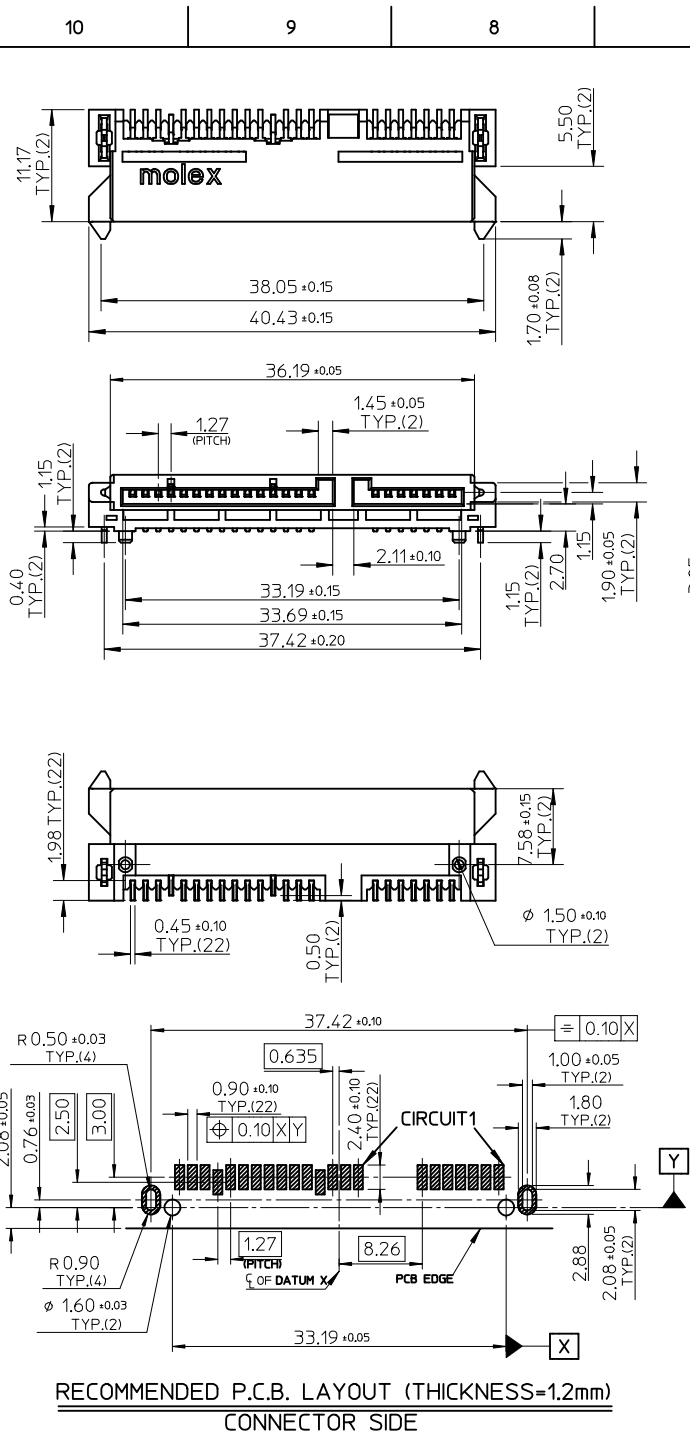


- NOTES:**
- MATERIAL:**
HOUSING: HIGH TEMPERATURE THERMAL PLASTIC, UL94V-0, COLOR: BLACK.
TERMINAL: COPPER ALLOY, FORKLOCK: COPPER ALLOY.
 - TERMINAL PLATING :**
CONTACT AREA:
(A) GOLD FLASH;
(B) GOLD, THICKNESS=0.76 MICRONS MINIMUM;
(C) GOLD, THICKNESS=0.38 MICRONS MINIMUM;
SOLDER AREA: TIN, THICKNESS=1.27 MICRONS MINIMUM;
UNDER PLATE: NICKEL, THICKNESS=1.27 MICRONS MINIMUM.
 - FORKLOCK PLATING:**
SOLDER AREA: TIN, THICKNESS=1.27 MICRONS MINIMUM;
UNDER PLATE: NICKEL, THICKNESS=1.27 MICRONS MINIMUM.
 - PRODUCT SPECIFICATION:** REFER TO PS-67492-001.
 - PACKAGING METHOD:** TAPE REEL, DETAIL REFER TO PK-67492-007.
 - MATING PARTS:** 87703/87672.

P/N	PLATING	REMARK
67492-1830	NOTES 2 (A)	WITH CAP
67492-1831	NOTES 2 (B)	
67492-1832	NOTES 2 (C)	WITHOUT CAP
67492-1820	NOTES 2 (A)	
67492-1821	NOTES 2 (B)	
67492-1822	NOTES 2 (C)	

RTM	QUALITY SYMBOLS	GENERAL TOLERANCES (UNLESS SPECIFIED)	DIMENSION STYLE	SCALE	DESIGN UNITS	THIRD ANGLE PROJECTION
			MM ONLY	2:1	METRIC	
			mm INCH	DRAWN BY	DATE	TITLE
			4 PLACES ± --- ± ---	GRATE MA	2003/10/10	SATA HOST RECEPTACLE
		3 PLACES ± --- ± ---	CHECKED BY	DATE	R/A SMT TYPE	
		2 PLACES ± 0.15 ± ---	YA JUN	2003/10/10	-LEAD FREE-	
		1 PLACE ± 0.25 ± ---	APPROVED BY	DATE		
		ANGULAR ± 3 °	SAM	2003/10/10		
		DRAFT WHERE APPLICABLE	MATERIAL NO.	SEE TABLE	DOCUMENT NO.	
		MUST REMAIN WITHIN DIMENSIONS	SIZE	A3		
			THIS DRAWING CONTAINS INFORMATION THAT IS PROPRIETARY TO MOLEX INCORPORATED AND SHOULD NOT BE USED WITHOUT WRITTEN PERMISSION			



- NOTES:**
- MATERIAL:**
HOUSING: HIGH TEMPERATURE THERMAL PLASTIC, UL94V-0, COLOR: BLACK.
TERMINAL: COPPER ALLOY, FORKLOCK: COPPER ALLOY.
 - TERMINAL PLATING :**
CONTACT AREA:
(A) GOLD FLASH;
(B) GOLD, THICKNESS=0.76 MICRONS MINIMUM,
(C) GOLD, THICKNESS=0.38 MICRONS MINIMUM,
SOLDER AREA: TIN, THICKNESS=1.27 MICRONS MINIMUM,
UNDER PLATE: NICKEL, THICKNESS=1.27 MICRONS MINIMUM.
 - FORKLOCK PLATING:**
SOLDER AREA: TIN, THICKNESS=1.27 MICRONS MINIMUM,
UNDER PLATE: NICKEL, THICKNESS=1.27 MICRONS MINIMUM.
 - PRODUCT SPECIFICATION:** REFER TO PS-67492-001.
 - PACKAGING METHOD:** TAPE REEL, DETAIL REFER TO PK-67492-007.
 - MATING PARTS:** 87703/87672.

P/N	PLATING	REMARK
67492-1830	NOTES 2 (A)	WITH CAP
67492-1831	NOTES 2 (B)	
67492-1832	NOTES 2 (C)	WITHOUT CAP
67492-1820	NOTES 2 (A)	
67492-1821	NOTES 2 (B)	
67492-1822	NOTES 2 (C)	

RTM	EC NO:	2006/02/08	QUALITY SYMBOLS ▽=0 ∇=0	GENERAL TOLERANCES (UNLESS SPECIFIED)	DIMENSION STYLE MM ONLY		SCALE 2:1	DESIGN UNITS METRIC	THIRD ANGLE PROJECTION		
	DRW:WGLLI	2006/02/28			mm	INCH	DRAWN BY GRATE MA	DATE 2003/10/10	SATA HOST RECEPTACLE R/A SMT TYPE -LEAD FREE-		
	CHKD:	2006/03/01			4 PLACES ± --- ± ---	3 PLACES ± --- ± ---	CHECKED BY YA JUN	DATE 2003/10/10			
	APPR:GRMFA				2 PLACES ± 0.15 ± ---	1 PLACE ± 0.25 ± ---	APPROVED BY SAM	DATE 2003/10/10	MOLEX INCORPORATED		
REV	DESCRIPTION	ANGULAR ± 3 °	DRAFT WHERE APPLICABLE MUST REMAIN WITHIN DIMENSIONS		MATERIAL NO. SEE TABLE	DOCUMENT NO. SD-67492-009	SHEET NO. 1 OF 1				