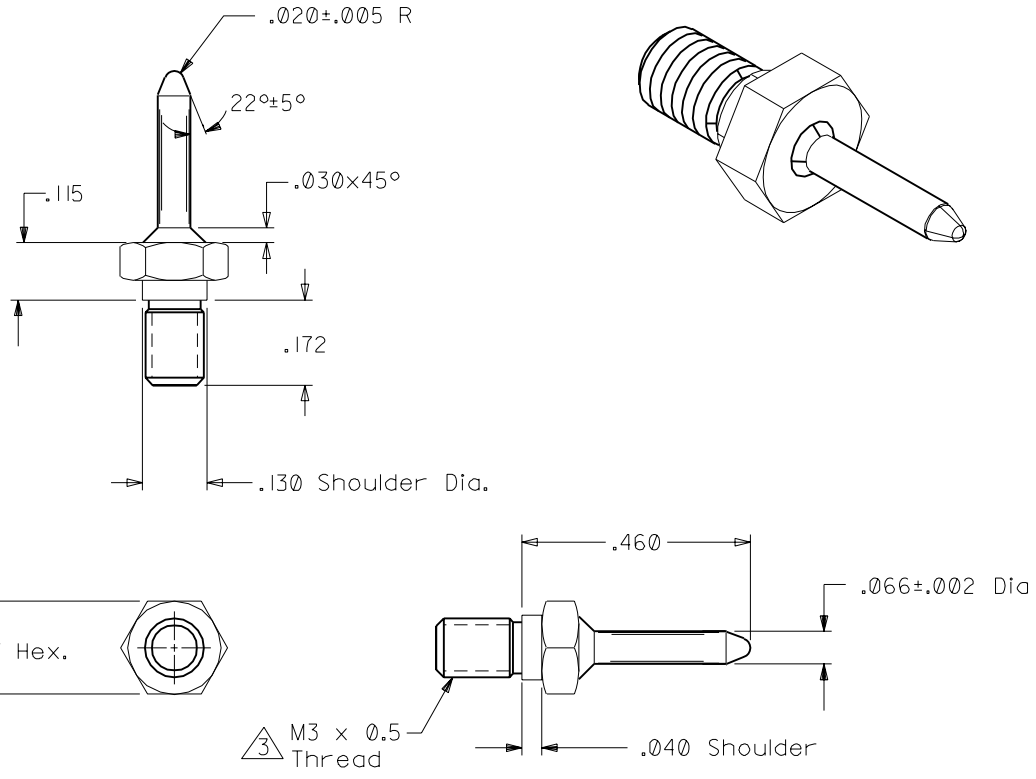


Notes:

1. Material: Heat Treated Steel.
2. Finish: Nickel Plate.
3. Maximum Assembly Torque: 5 in-lbs.
4. Socket Size: 3/16".



E	REVISED PER UDT2001-1175 SCHMIDG 01/04/26
DI	Added "Mating HRD" PER ECN U6-1418 DRS 05/13/96
D	Added -3000 ECN #U50846 DRS 04/11/95
C	Added Dims ECN #40107 DKS 2-14-94
B	Tip Rad Was .005 ECN #31700 DKS 11-12-93
A	RELEASED PER ECN# U30178 MOS 5/6/93

MFG.	SH.	REV.	LTR.	REVISIONS
------	-----	------	------	-----------

DIMENSIONS SHOWN (METRIC) INCH		$\nabla = 0$ $\blacktriangledown = 0$ REVISE ONLY ON CAD SYSTEM													
UNLESS OTHERWISE SPECIFIED TOLERANCES: ANGULAR = $1/2^\circ$															
<table border="1"> <thead> <tr> <th></th> <th>INCH</th> <th>METRIC</th> </tr> </thead> <tbody> <tr> <td>3 PLACE</td> <td>$\pm .010$</td> <td>---</td> </tr> <tr> <td>2 PLACE</td> <td>\pm</td> <td>\pm</td> </tr> <tr> <td>1 PLACE</td> <td>---</td> <td>\pm</td> </tr> </tbody> </table>			INCH	METRIC	3 PLACE	$\pm .010$	---	2 PLACE	\pm	\pm	1 PLACE	---	\pm	TITLE Guide Pin LFH Connector System	
	INCH	METRIC													
3 PLACE	$\pm .010$	---													
2 PLACE	\pm	\pm													
1 PLACE	---	\pm													
DRAFT WHERE APPLICABLE MUST REMAIN WITHIN DIMENSIONS		MOLEX INCORPORATED LISLE, ILL. 60532 U.S.A. SHEET NO. 1 of 1 DATE 03/11/93													
DRWG. BY: MOS CHK'D BY: BIXLER APP'D BY: BIXLER SCALE: 4:1		PART NO. 71628-3000 DRWG. NO. SDA-71628-**** FILE NAME: S71628x1 DGN DIV. CD SIZE B													
THIS DRAWING CONTAINS INFORMATION THAT IS PROPRIETARY TO MOLEX INC. AND SHOULD NOT BE USED WITHOUT WRITTEN PERMISSION.															