

Adapter plate - HC-B 6-ADP/1 DSUB 15 - 1775473

Please be informed that the data shown in this PDF Document is generated from our Online Catalog. Please find the complete data in the user's documentation. Our General Terms of Use for Downloads are valid (<http://download.phoenixcontact.com>)


D-SUB adapter plate, for one D-SUB connector, no. of positions 15, housing series HC-B 6...



The illustration shows version HC-B 6-ADP/1 DSUB 9



Key commercial data

Packing unit	1 pc
Minimum order quantity	2 pc
GTIN	 4 017918 038076
Weight per Piece (excluding packing)	13.8 GRM
Custom tariff number	85472000
Country of origin	Germany

Technical data

Dimensions

Length	51.5 mm
Height	34.5 mm
Hole diameter	3.2 mm
Drill hole distance, vertical	27 mm

General

Note	For housing HC-B6
Material	PA
Inflammability class according to UL 94	HB
Color	gray
Number of positions	15

Adapter plate - HC-B 6-ADP/1 DSUB 15 - 1775473

Technical data

General

Design	B6
--------	----

Classifications

eCl@ss

eCl@ss 4.0	27140816
eCl@ss 4.1	27140816
eCl@ss 5.0	27143424
eCl@ss 5.1	27143424
eCl@ss 6.0	27143424
eCl@ss 7.0	27440209
eCl@ss 8.0	27440209

ETIM

ETIM 3.0	EC002309
ETIM 4.0	EC002309
ETIM 5.0	EC002309

UNSPSC

UNSPSC 6.01	30211808
UNSPSC 7.0901	39121408
UNSPSC 11	39121408
UNSPSC 12.01	39121408
UNSPSC 13.2	39121408

Approvals

Approvals

Approvals

GOST

Ex Approvals

Approvals submitted

Adapter plate - HC-B 6-ADP/1 DSUB 15 - 1775473

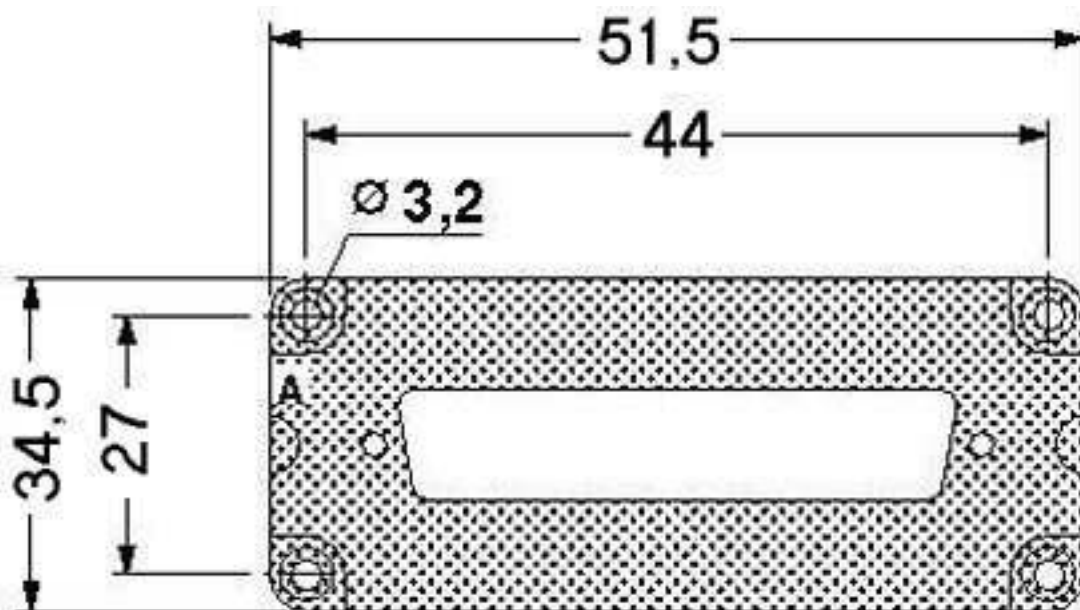
Approvals

Approval details

GOST 

Drawings

Dimensioned drawing



Adapter plate - HC-B 6-ADP/1 DSUB 15 - 1775473

Dimensioned drawing

