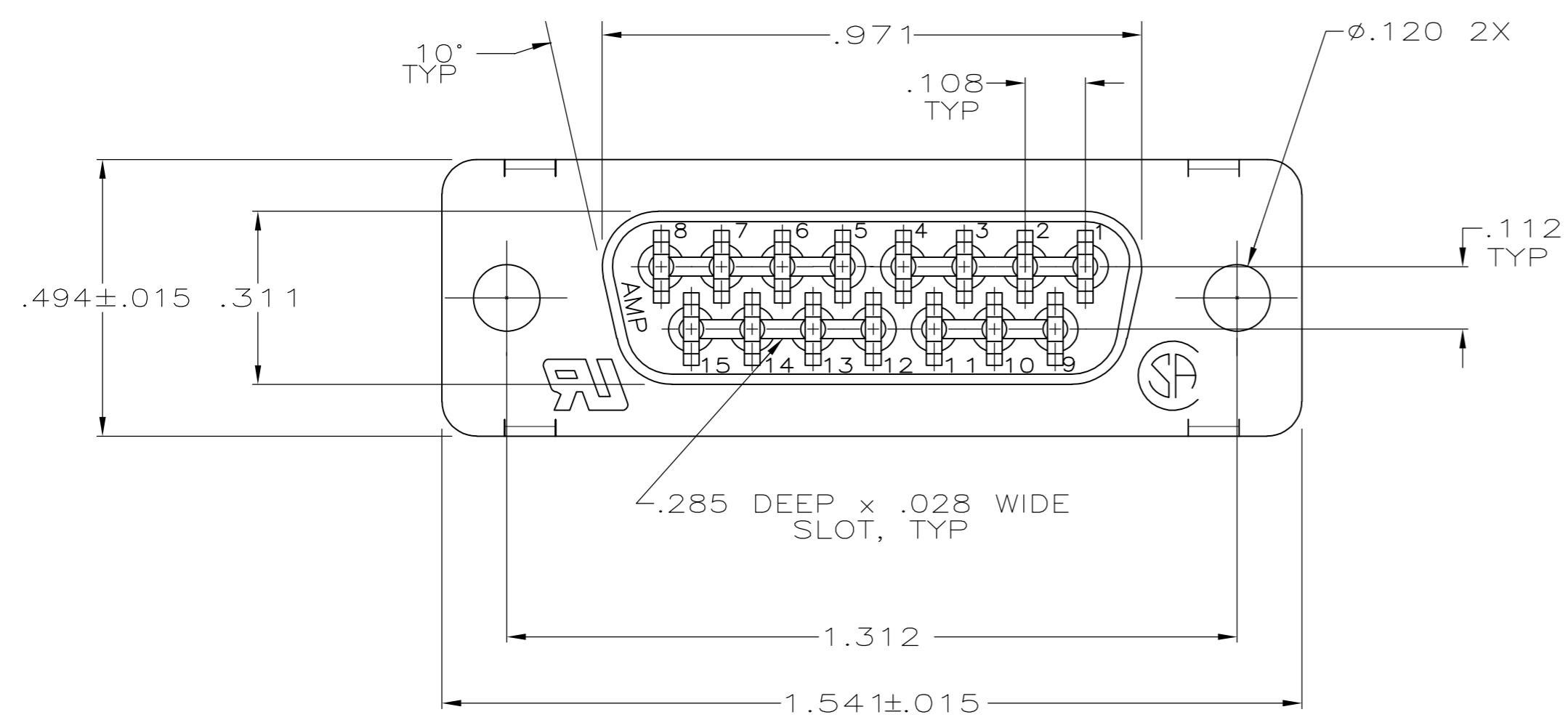
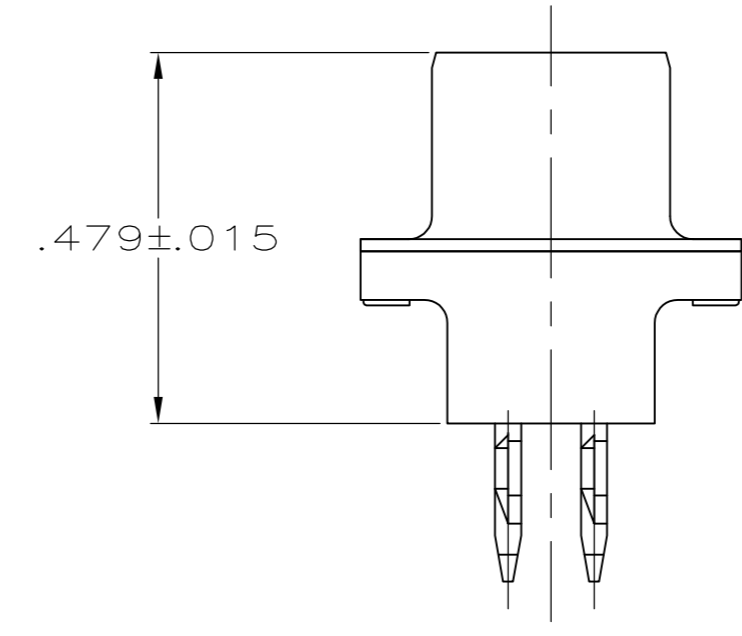
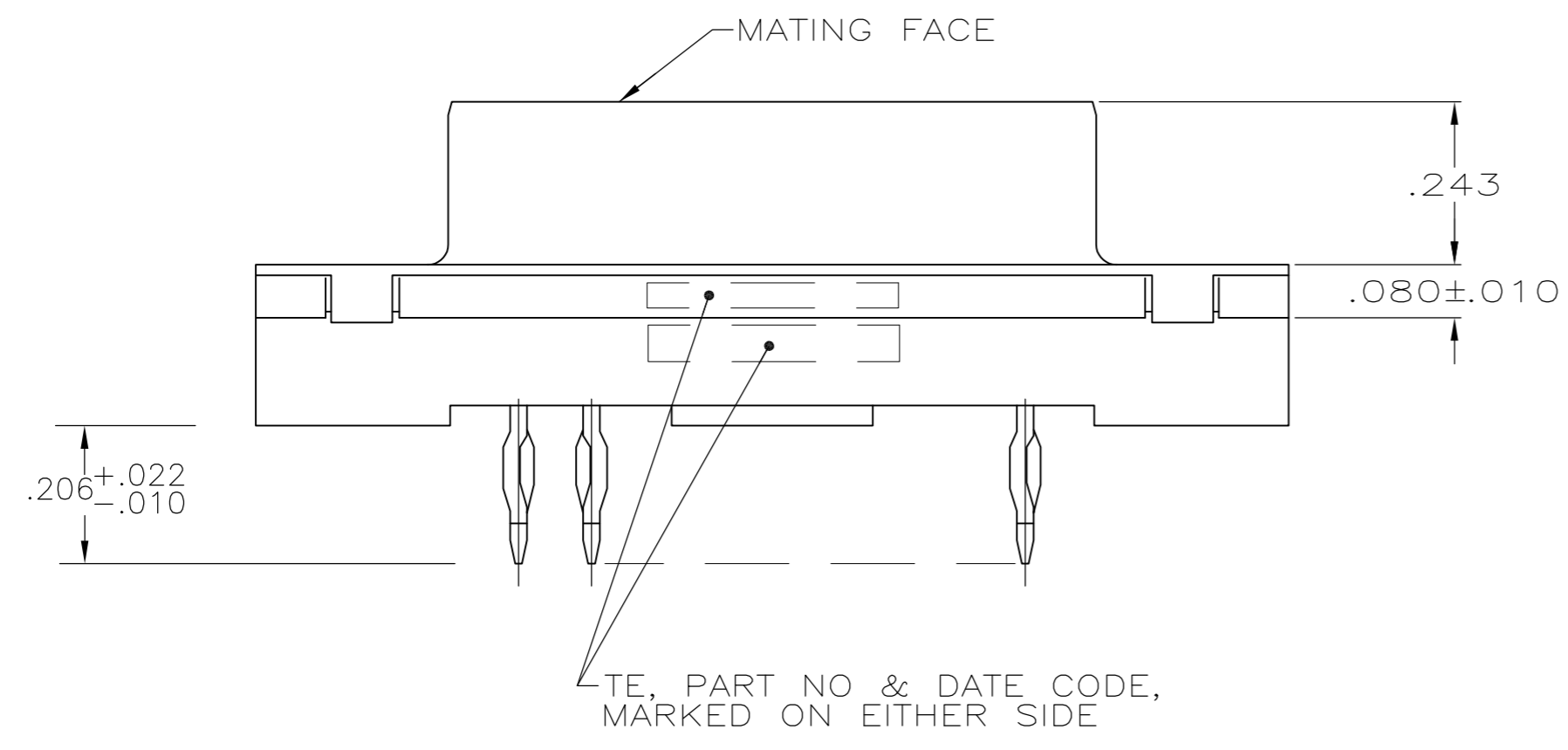


THIS DRAWING IS UNPUBLISHED. RELEASED FOR PUBLICATION
 © COPYRIGHT 2006 By - ALL RIGHTS RESERVED.

| LOC | DIST | REVISIONS | | | | | |
|-----|------|-----------|-----|----------------------------|-----------|-----|------|
| GP | 00 | P | LTR | DESCRIPTION | DATE | DWN | APVD |
| | | C | | RELEASED PER ECO-12-000090 | 26JAN2012 | CJV | SLB |



- 1 FOR USE WITH .093 MINIMUM THICK PRINTED CIRCUIT BOARD. REFER TO APPLICATION SPECIFICATION FOR PRINTED CIRCUIT BOARD LAYOUT DIMENSIONS AND FINISH RECOMMENDATIONS.
- 2 MATERIAL:
 HOUSING: GLASS-FILLED NYLON OR POLYESTER, UL94V-0 RATED, COLOR: BLACK.
 CONTACTS: COPPER ALLOY.
 SHELL: CARBON STEEL.
- 3 SHELLS: .000200 MIN TIN OVER .000100 MIN COPPER.
- 4 CONTACTS:
 0.76 MICRO METERS [.000030] MINIMUM GOLD IN MATING AREA.
 2.54 MICRO METERS [.000100] MINIMUM TIN ON COMPLIANT PIN.
 ALL OVER 1.27 MICRO METERS [.000050] MINIMUM NICKEL.
 OR
 GOLD FLASH OVER PALLADIUM NICKEL.
 0.76 MICRO METERS [.000030] MINIMUM TOTAL IN MATING AREA.
 2.54 MICRO METERS [.000100] MINIMUM TIN ON COMPLIANT PIN.
 ALL OVER 1.27 MICRO METERS [.000050] MINIMUM NICKEL.



5747140-2
 PART NUMBER

| | | | | |
|--|--------------|--------------------------|--|-----------------|
| THIS DRAWING IS A CONTROLLED DOCUMENT. DIMENSIONING AND TOLERANCING PER ASME Y14.5M-2009 | | DWN G.PETERS/DTI 08MAR06 | | |
| DIMENSIONS: INCHES | | CHK S.BOLASH 08MAR06 | | |
| TOLERANCES UNLESS OTHERWISE SPECIFIED: | | APVD M.WALMSLEY 08MAR06 | NAME | |
| 0 PLC ± - | 1 PLC ± - | PRODUCT SPEC | RECEPTACLE ASSEMBLY, ACTION-PIN, 15 POSITION, HD-20, AMPLIMITE | |
| 2 PLC ± - | 3 PLC ± .005 | APPLICATION SPEC | SIZE A2 | CAGE CODE 00779 |
| 4 PLC ± - | ANGLES ± - | WEIGHT - | DRAWING NO C=5747140 | RESTRICTED TO - |
| MATERIAL | FINISH | CUSTOMER DRAWING | SCALE 4:1 | SHEET 1 of 1 |