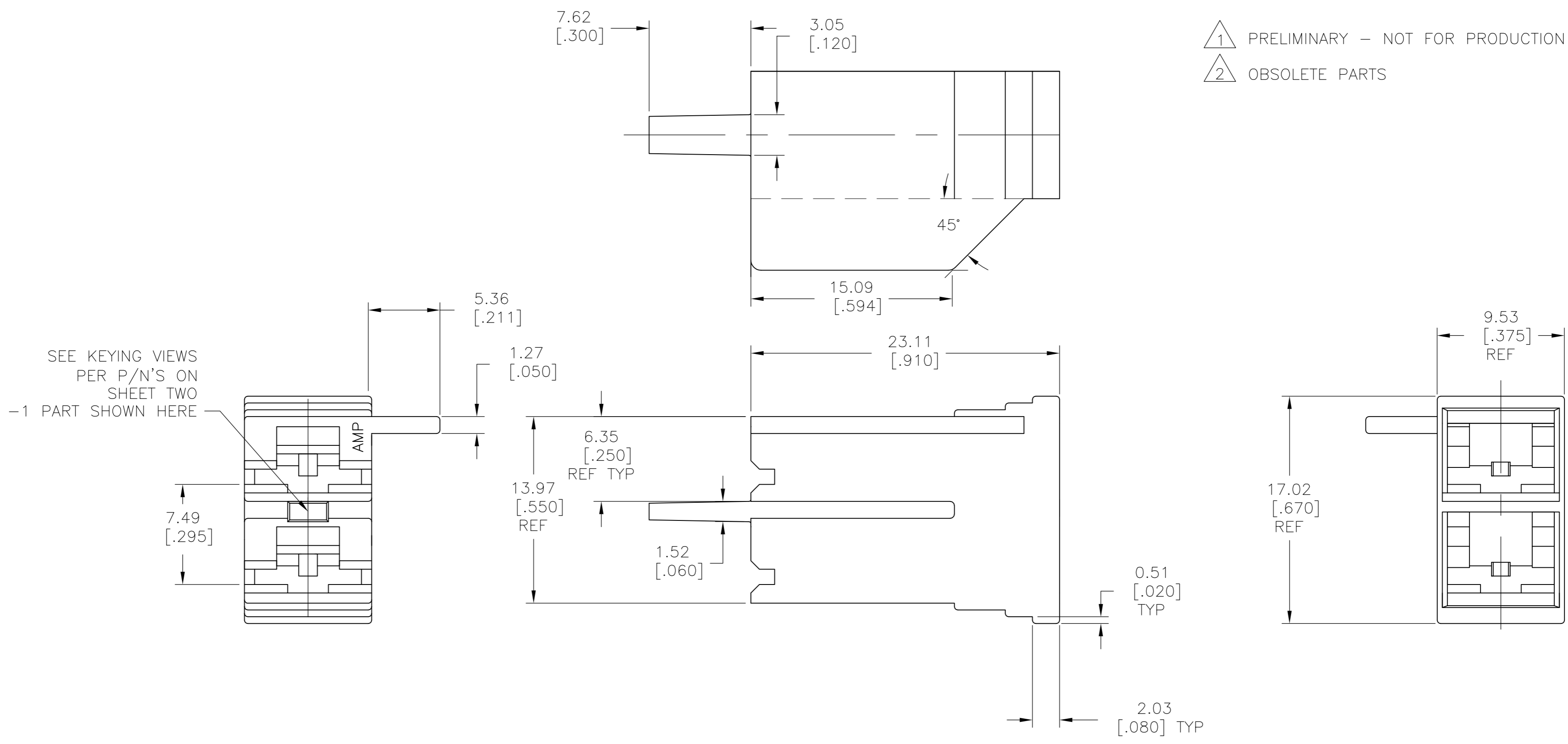


THIS DRAWING IS UNPUBLISHED. RELEASED FOR PUBLICATION
 © COPYRIGHT - TE Connectivity Ltd. ALL RIGHTS RESERVED.

REVISIONS					
P	LTR	DESCRIPTION	DATE	DWN	APVD
A4		REVISED PER ECR-18-002453	02MAR2018	BDA	DS



1 PRELIMINARY - NOT FOR PRODUCTION
 2 OBSOLETE PARTS

SEE KEYING VIEWS
 PER P/N'S ON
 SHEET TWO
 -1 PART SHOWN HERE

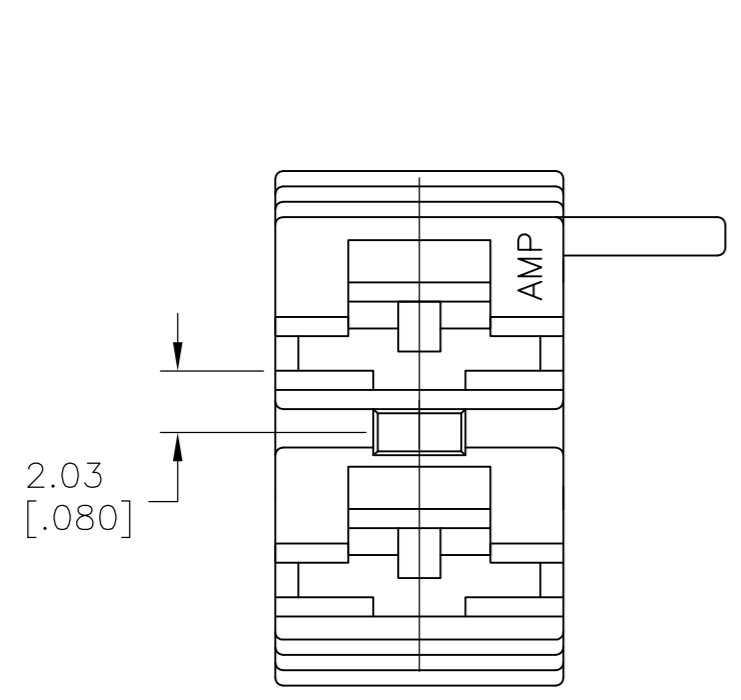
COLOR	MATERIAL	PART NO
RED	66 NYLON, V0	1 1969232-5
GREEN	66 NYLON, V0	1969232-4
YELLOW	66 NYLON, V0	1969232-3
BLACK	66 NYLON, V0	2 1969232-2
NATURAL	66 NYLON, V0	1969232-1

THIS DRAWING IS A CONTROLLED DOCUMENT.		DWN jr ruth 16DEC08	TE Connectivity Ltd.																			
DIMENSIONS: mm [INCHES]		CHK P DESANTIS 16DEC08																				
TOLERANCES UNLESS OTHERWISE SPECIFIED:		APVD P DESANTIS 16DEC08																				
<table border="0"> <tr><td>0 PLC</td><td>±</td><td>-</td></tr> <tr><td>1 PLC</td><td>±</td><td>-</td></tr> <tr><td>2 PLC</td><td>±</td><td>0.25 [.010]</td></tr> <tr><td>3 PLC</td><td>±</td><td>-</td></tr> <tr><td>4 PLC</td><td>±</td><td>-</td></tr> <tr><td>ANGLES</td><td>±</td><td>5°</td></tr> </table>		0 PLC	±	-	1 PLC	±	-	2 PLC	±	0.25 [.010]	3 PLC	±	-	4 PLC	±	-	ANGLES	±	5°	NAME	HOUSING, RECEPTACLE, FASTON, .250 SERIES, 2 CIRCUIT	
0 PLC	±	-																				
1 PLC	±	-																				
2 PLC	±	0.25 [.010]																				
3 PLC	±	-																				
4 PLC	±	-																				
ANGLES	±	5°																				
MATERIAL SEE TABLE		FINISH SEE TABLE	PRODUCT SPEC	SCALE																		
		WEIGHT	SIZE	CAGE CODE																		
		CUSTOMER DRAWING	A2	00779																		
		SCALE	DRAWING NO	RESTRICTED TO																		
		4:1	C=1969232	-																		
		SHEET	1 OF 2	REV																		
		A4																				

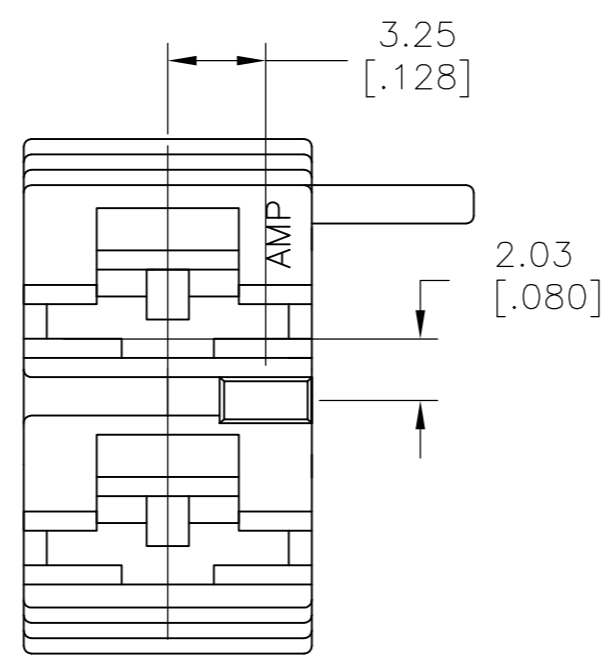
1969232

THIS DRAWING IS UNPUBLISHED. RELEASED FOR PUBLICATION
 © COPYRIGHT - TE Connectivity Ltd. ALL RIGHTS RESERVED.

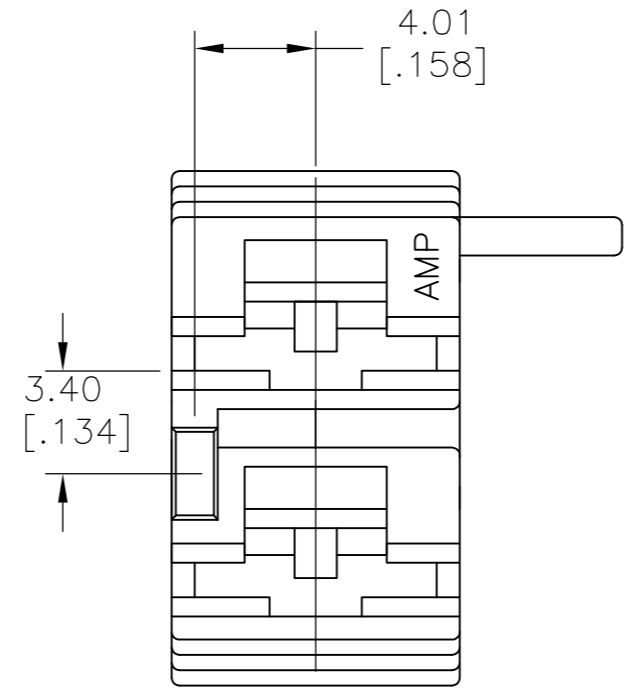
REVISIONS					
P	LTR	DESCRIPTION	DATE	DWN	APVD
-	-	SEE SHEET 1	-	-	-



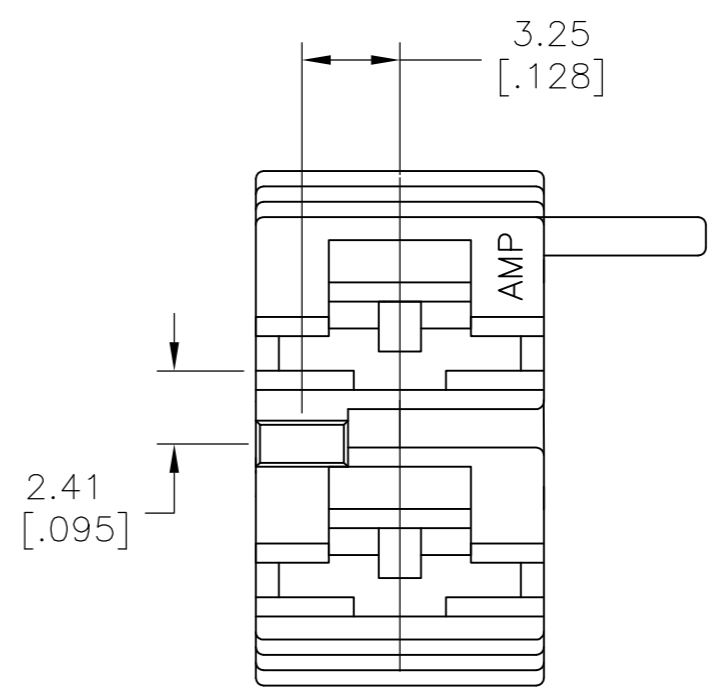
KEYING FOR -1
TAB ENTRY VIEW
NATURAL



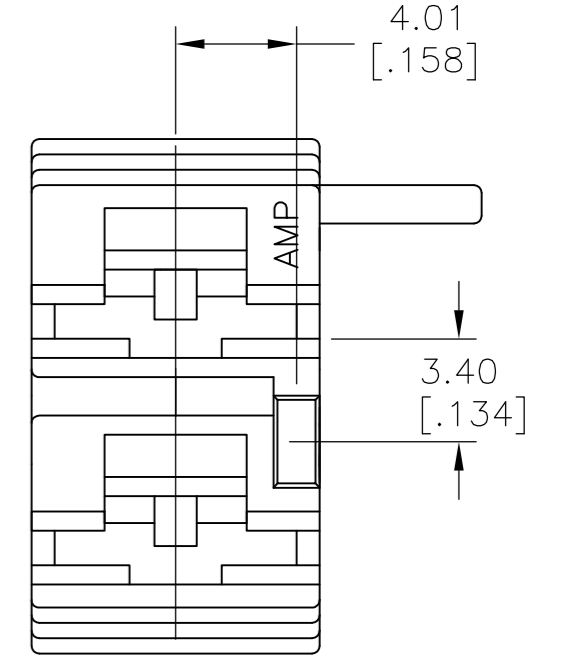
KEYING FOR -2
TAB ENTRY VIEW
BLACK



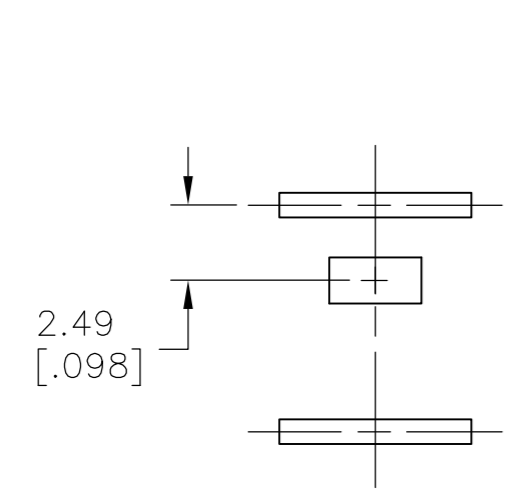
KEYING FOR -3
TAB ENTRY VIEW
YELLOW



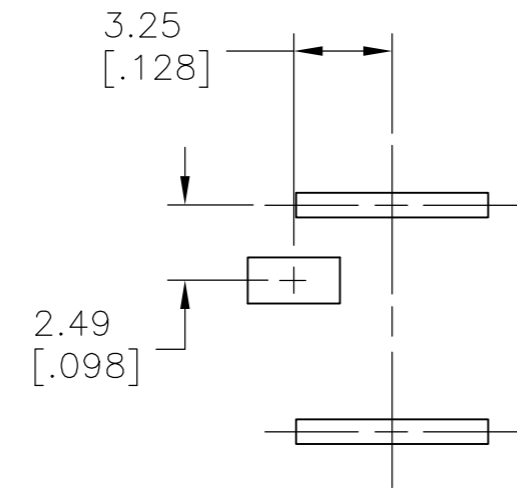
KEYING FOR -4
TAB ENTRY VIEW
GREEN



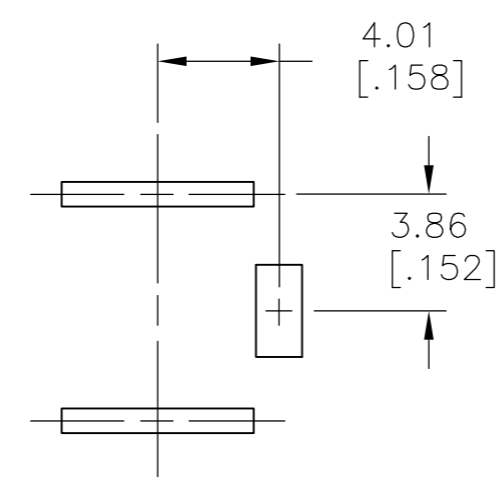
KEYING FOR -5
TAB ENTRY VIEW
RED



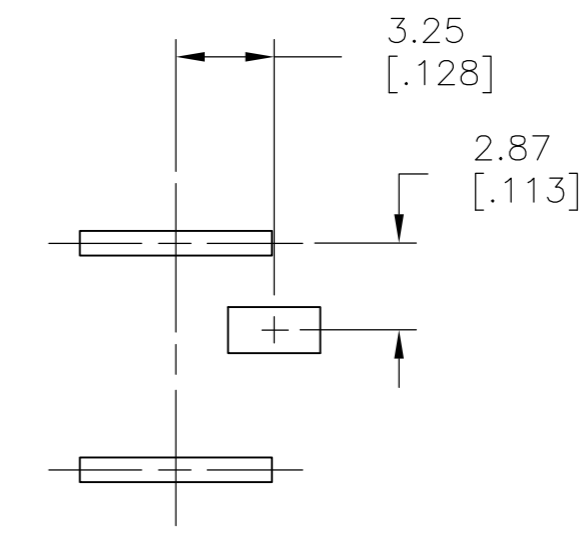
SUGGESTED
PC BOARD
CIRCUIT FOR
1969232-1



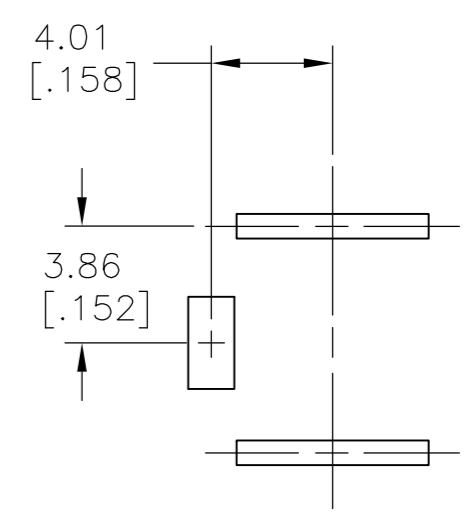
SUGGESTED
PC BOARD
CIRCUIT FOR
1969232-2



SUGGESTED
PC BOARD
CIRCUIT FOR
1969232-3



SUGGESTED
PC BOARD
CIRCUIT FOR
1969232-4



SUGGESTED
PC BOARD
CIRCUIT FOR
1969232-5

THIS DRAWING IS A CONTROLLED DOCUMENT.		DWN jr ruth 16DEC08	TE Connectivity Ltd.	
DIMENSIONS: mm [INCHES]		CHK P DESANTIS 16DEC08		
TOLERANCES UNLESS OTHERWISE SPECIFIED:		APVD P DESANTIS 16DEC08	NAME	
0 PLC ± - 1 PLC ± - 2 PLC ± 0.25 [.010] 3 PLC ± - 4 PLC ± - ANGLES ± 5°		PRODUCT SPEC		HOUSING, RECEPTACLE, FASTON, .250 SERIES, 2 CIRCUIT
MATERIAL SEE TABLE		APPLICATION SPEC		
FINISH SEE TABLE		WEIGHT -	SIZE A2	RESTRICTED TO
		CUSTOMER DRAWING	CAGE CODE 00779	DRAWING NO 1969232
		SCALE 4:1	SHEET 2 OF 2	REV A4