

5-100526-6 ✓ ACTIVE

Z-PACK | Z-PACK 2mm HM

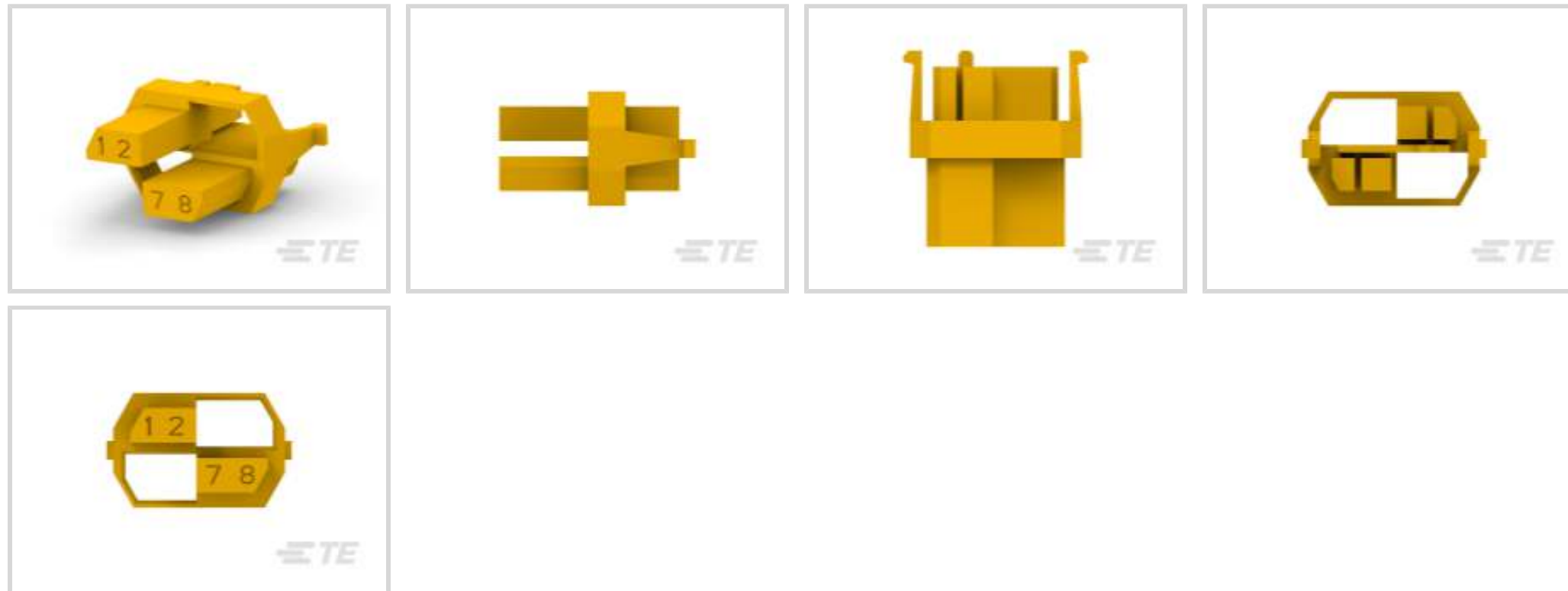
TE Internal #: 5-100526-6

Backplane Coding Keys, Receptacle, Coding Key Number 1278, Z-PACK 2mm HM

[View on TE.com >](#)



Connectors > PCB Connectors > Backplane Connectors > Backplane Coding Keys



Compatible With Connector Style: **Receptacle**

Coding Key Number: **1278**

## Features

### Body Features

Coding Key Color	Cadmium Yellow
------------------	----------------

### Usage Conditions

Compatible With Backplane Connector Type	Type A, Type D, Type L, Type M
Compatible With Connector Style	Receptacle

### Industry Standards

CompactPCI Application	CPCI 3.3V
------------------------	-----------

### Packaging Features

Packaging Quantity	500
Packaging Method	Bag

### Other

Coding Key Number	1278
-------------------	------

## Product Compliance

[For compliance documentation, visit the product page on TE.com>](#)

EU RoHS Directive 2011/65/EU	Compliant
EU ELV Directive 2000/53/EC	Compliant



China RoHS 2 Directive MIIT Order No 32, 2016	No Restricted Materials Above Threshold
EU REACH Regulation (EC) No. 1907/2006	Current ECHA Candidate List: JUNE 2023 (235) Candidate List Declared Against: JUNE 2023 (235) Does not contain REACH SVHC
Halogen Content	Low Halogen - Br, Cl, F, I < 900 ppm per homogenous material. Also BFR/CFR/PVC Free
Solder Process Capability	Not applicable for solder process capability

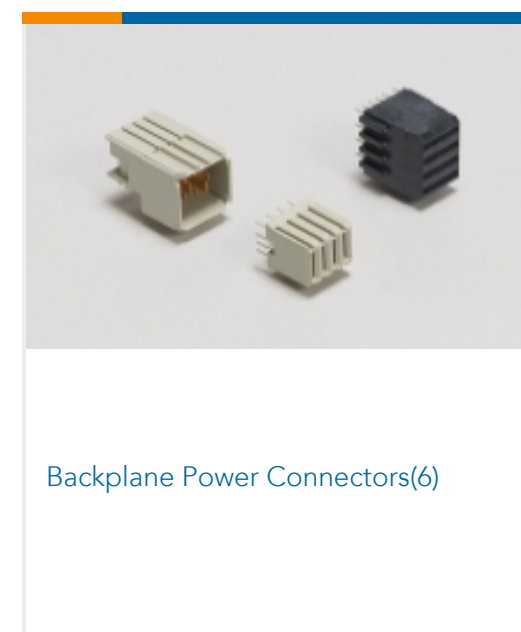
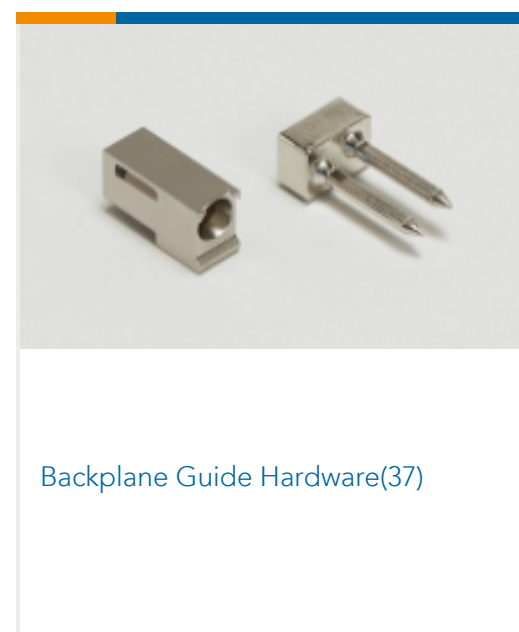
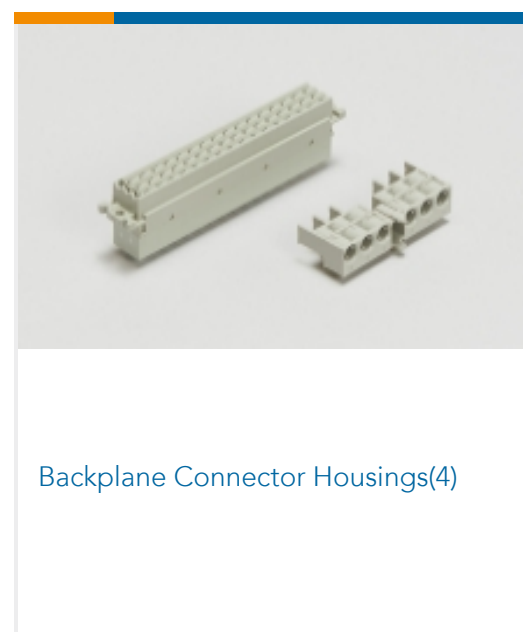
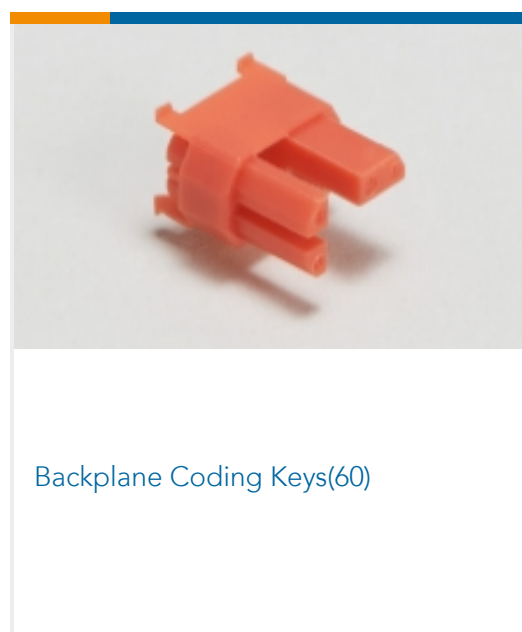
Product Compliance Disclaimer

This information is provided based on reasonable inquiry of our suppliers and represents our current actual knowledge based on the information they provided. This information is subject to change. The part numbers that TE has identified as EU RoHS compliant have a maximum concentration of 0.1% by weight in homogenous materials for lead, hexavalent chromium, mercury, PBB, PBDE, DBP, BBP, DEHP, DIBP, and 0.01% for cadmium, or qualify for an exemption to these limits as defined in the Annexes of Directive 2011/65/EU (RoHS2). Finished electrical and electronic equipment products will be CE marked as required by Directive 2011/65/EU. Components may not be CE marked. Additionally, the part numbers that TE has identified as EU ELV compliant have a maximum concentration of 0.1% by weight in homogenous materials for lead, hexavalent chromium, and mercury, and 0.01% for cadmium, or qualify for an exemption to these limits as defined in the Annexes of Directive 2000/53/EC (ELV). Regarding the REACH Regulation, the information TE provides on SVHC in articles for this part number is based on the latest European Chemicals Agency (ECHA) 'Guidance on requirements for substances in articles' posted at this URL: <https://echa.europa.eu/guidance-documents/guidance-on-reach>

## Compatible Parts

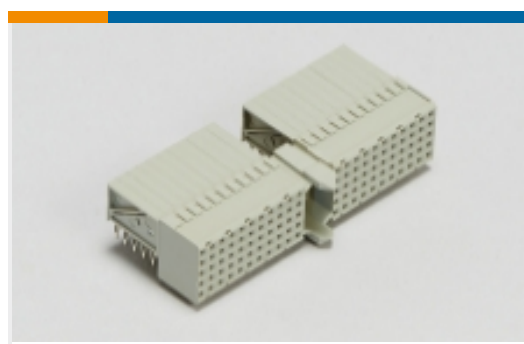


## Also in the Series | Z-PACK 2mm HM

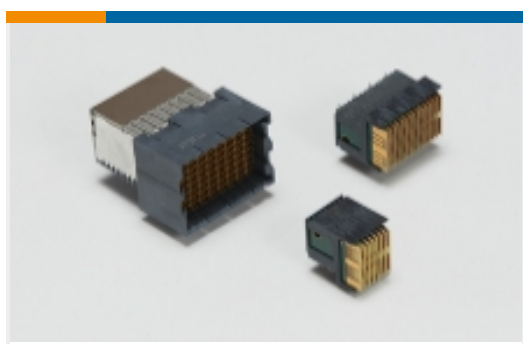




Board-to-Board Connector Contacts(2)



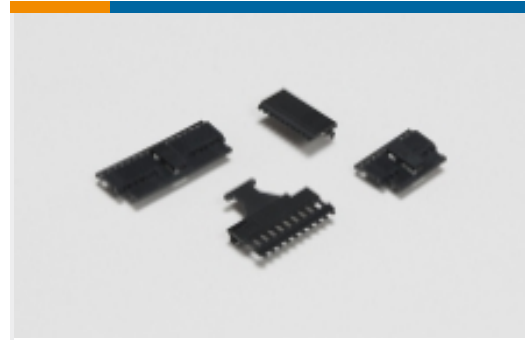
Hard Metric Backplane Connectors (269)



High Speed Backplane Connectors(1)



Insertion & Extraction Tools(2)



PCB Connector Covers(4)



PCB Connector Shrouds(39)



PCB Ferrules & Shields(19)



Rectangular Power Connectors(87)

## Customers Also Bought



TE Part #5352068-1  
Z-PACK/A RAF 110P



TE Part #2-178128-3  
DYNAMIC 3200 REC HSG 3P (SGL)



TE Part #1-1939638-7  
DYNAMIC 1100D HDR ASSY H 34P  
XBLACK GOLD



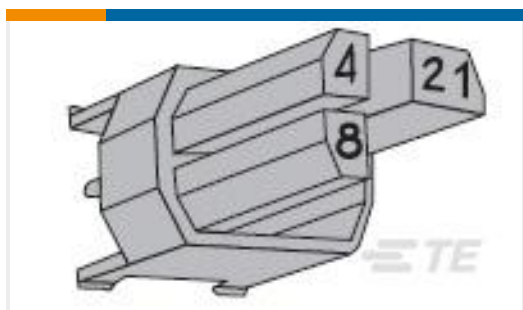
TE Part #1-171825-2  
POST HDR ASSY VERT AMP EI CONN



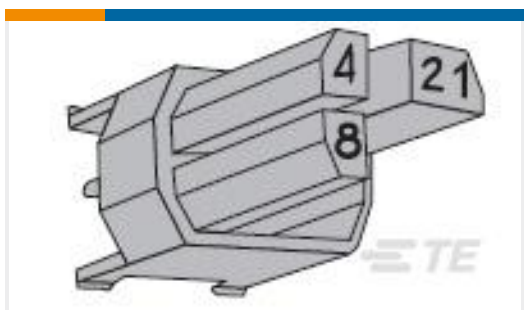
TE Part #171825-4  
TYPE V EIS CONNECTOR 4P ASSY



TE Part #171825-3  
POST HEADER ASSY EI SRS 3POS



TE Part #100525-9  
Z-PACK M.CODING KEY



TE Part #6-100525-3  
CODING DEV INSRT COLOR  
ORANGE



TE Part #5749266-1  
Mini DIN, 6 pos, R/A, Shield

## Documents



### Product Drawings

#### Z-PACK F.CODING KEY

English

---

### CAD Files

#### 3D PDF

3D

#### Customer View Model

[ENG\\_CVM\\_CVM\\_5-100526-6\\_E.2d\\_dxf.zip](#)

English

#### Customer View Model

[ENG\\_CVM\\_CVM\\_5-100526-6\\_E.3d\\_igs.zip](#)

English

#### Customer View Model

[ENG\\_CVM\\_CVM\\_5-100526-6\\_E.3d\\_stp.zip](#)

English

By downloading the CAD file I accept and agree to the [Terms and Conditions](#) of use.

---

### Product Specifications

#### Application Specification

English

---

### Product Environmental Compliance

#### Product Compliance Document

English

#### Product Compliance Document

English