

PART NAME: KNOB SCALE: 1:1 DATE: 2/23/15 DR. BY JAM

DAVIES MOLDING COMPANY
CAROL STREAM, ILLINOIS 60188

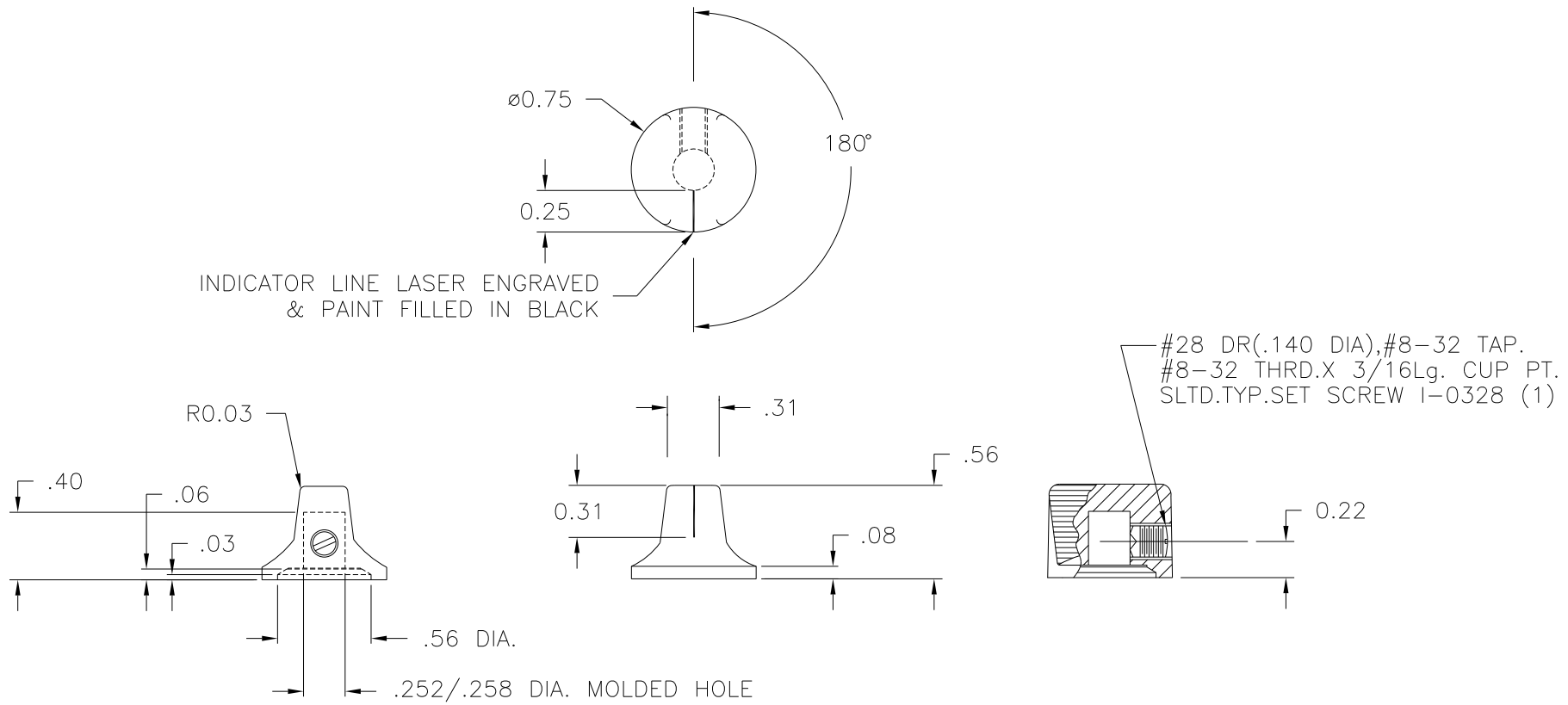
P/N 1510BM

THIS DRAWING IS THE PROPERTY OF DAVIES MOLDING COMPANY, IS SUBMITTED SOLELY AS A DESIGN OR ENGINEERING PROJECT. WE ACCEPT NO RESPONSIBILITY WHATSOEVER FOR THE PRACTICAL APPLICATION OF THE PIECES MADE TO THIS DESIGN.

BASE PART 1510-11

(A)

SET SCREW I0328



MATERIAL: 1132 (V32)
COLOR: IVORY

TOLERANCES: UNLESS OTHERWISE SPECIFIED	DO NOT SCALE DRAWING			
DECIMALS: X.XXX ± .005 X.XX ± .015	MM: X.XX ± 0.15MM X.X ± 0.4MM	A	WAS 1510-13	JAM 10/7/16
FRACTIONS ± 1/64	ANG. ± 1°	-	WAS SK1510-40	JAM 2/23/15
CHANGES				