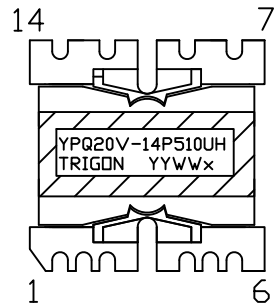
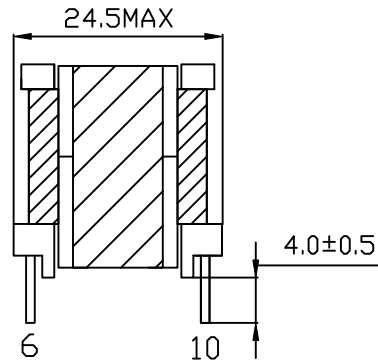


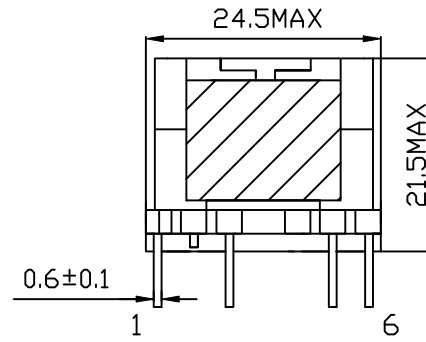
CONFIGURATION & DIMENSIONS: (UNIT:mm)



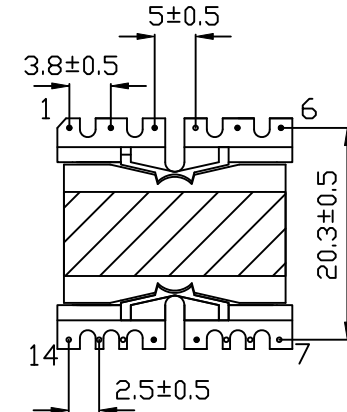
<TOP VIEW>



<SIDE VIEW>

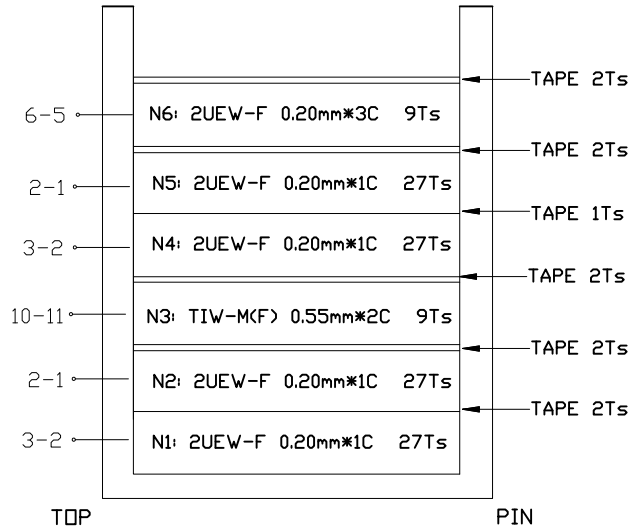


<FRONT VIEW>

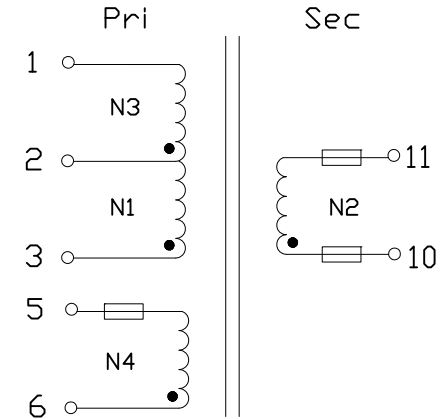


<BOTTOM VIEW>

CROSS SECTION DIAGRAM:



SCHEMATIC:



“•”:START, “□”:TEFLON TUBE

ELECTRICAL SPECIFICATION @25°C

Inductance: @10KHz/0.1V

L(3-1)=510uH±10%

Leakage Inductance: @60KHz/0.1V

LK(3-1)=5.1uH MAX(short other pins)

DCR:

R(3-1)=0.9Ω MAX

R(6-5)=0.12Ω MAX

R(10-11)=33mΩ MAX

Hi-pot:

Pri to Sec: 3000VAC/1mA/60s

Turns Ratio: @20KHz/1V

(3-1):(6-5)=1:0.167±4%

(3-1):(10-11)=1:0.167±4%

NOTE:

1. This part is ROHS compliant
2. Removed PIN4,7,8,9,12,13,14;
PIN2 CUT OFF 2/3
3. Core fixing tape: 3Ts

| | | | | | | | | | | | |
|------------------|-----|------------|------|--|-------------|------------|--------------------------|-------|----|-------|------|
| TOL UNLESS NOTED | | | | TITLE: Transformer | | | PART NO: YPQ20V-14P510UH | | | | |
| .Xi ±0.40mm | | | | | APPROVED BY | CHECKED BY | DRAWN BY | UNIT | mm | SCALE | NONE |
| .XXi ±0.25mm | 02 | 08-19-2019 | LL | | ES | LL | JK | SHEET | 1 | OF | 1 |
| .XXXi ±0.10mm | 01 | 06-20-2019 | JK | | | | | | | | |
| ANGLE: ±3.0° | REV | DATE | SIGN | TRIGON COMPONENTS, INC. www.trigoncomponents.com | | | | | | | |