

MATERIALS AND FINISHES

BODY, ZINC ALLOY
PLATED BRIGHT TIN

CENTER CONTACT, BRASS
PLATED GOLD

OUTER CASING, HIGH TEMPERATURE PLASTIC
KEYING SEE TABLE
COLOR SEE TABLE

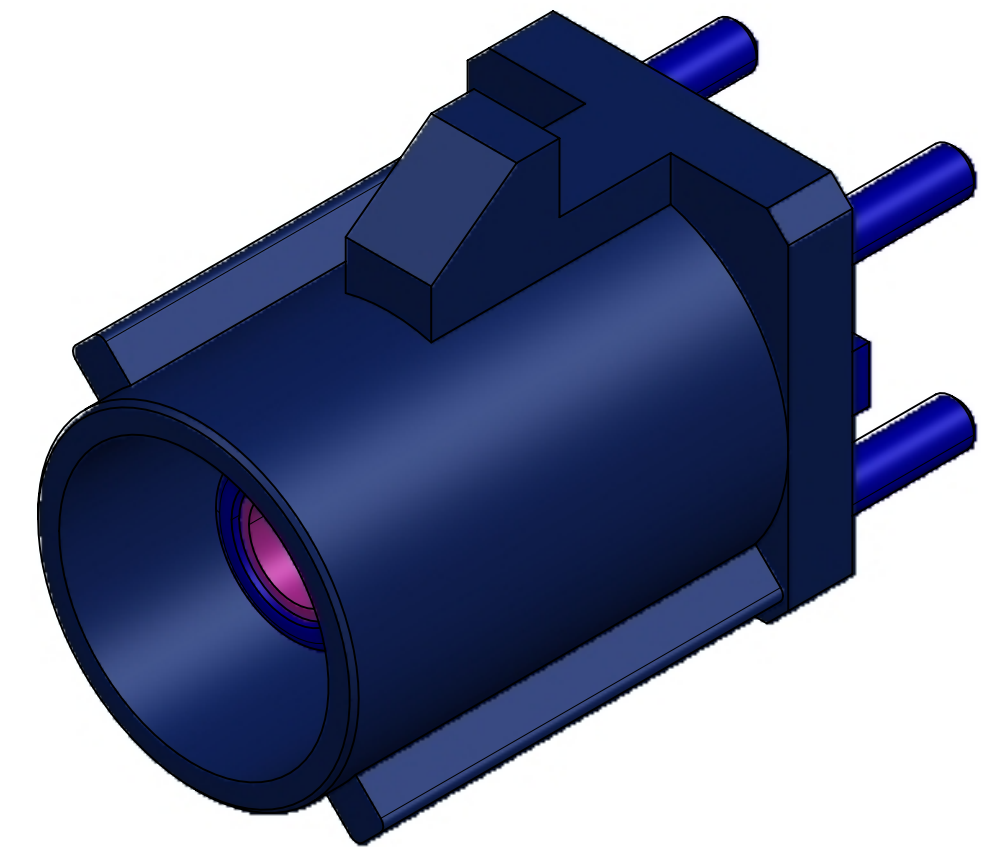
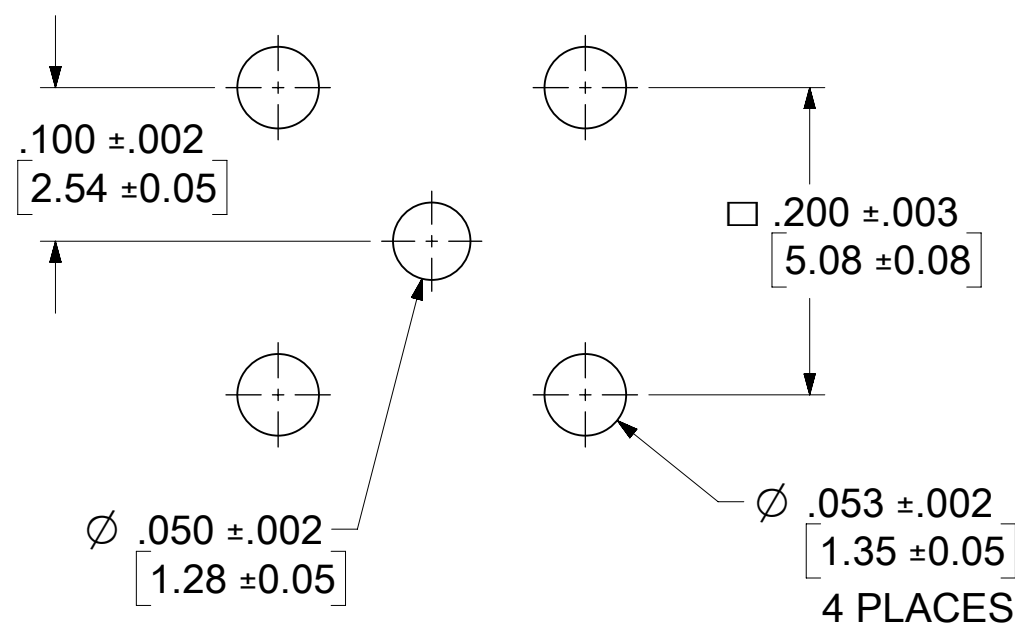
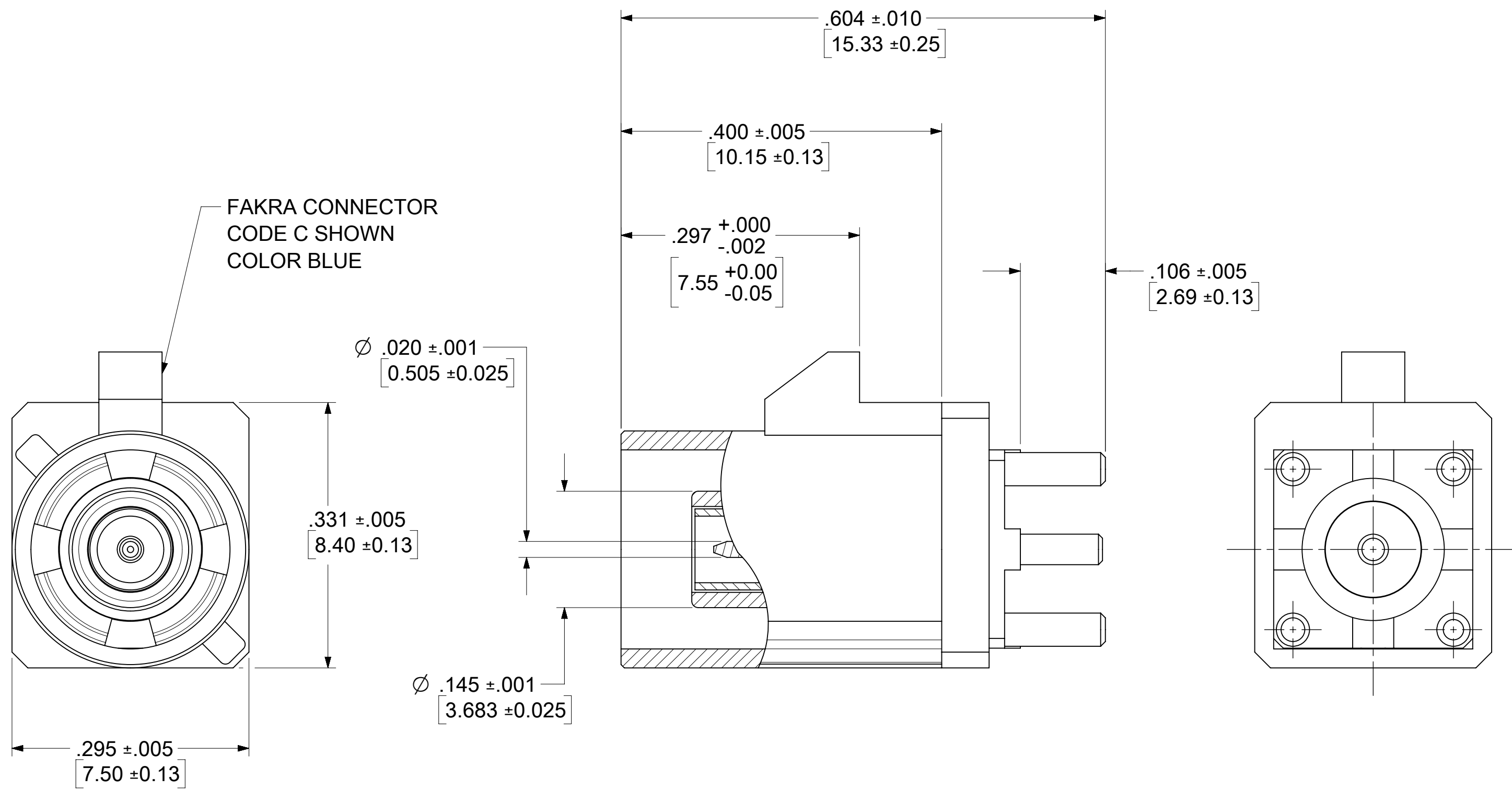
INSULATOR, PTFE

PACKAGING BY TRAY REFER TO 895420040

RETENTION SPECIFICATION
THE FAKRA CONNECTOR SHROUD WILL WITHSTAND
A LONGITUDINAL FORCE OF 120 N (26.98 LBS)

SHROUD SHALL BE BAKED @120°C, FOR 4 HOURS
PRIOR TO ASSEMBLY.

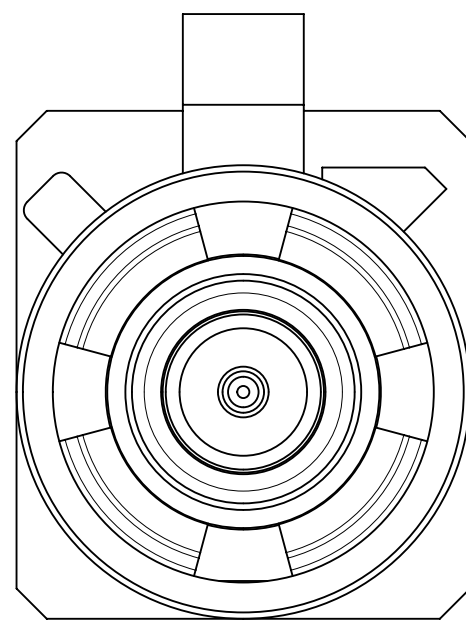
FAKRA CONNECTOR
CODE C SHOWN
COLOR BLUE



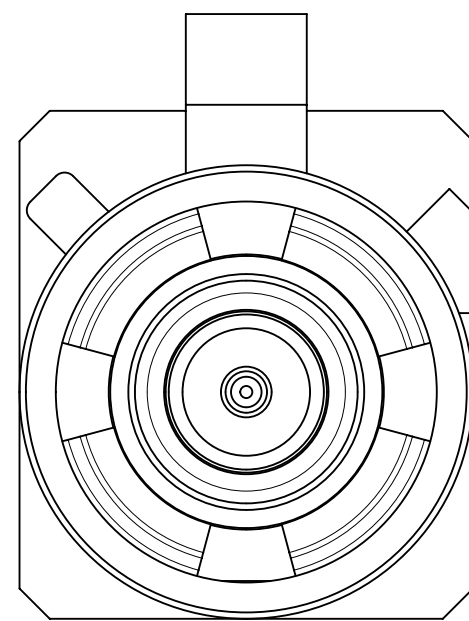
PS-89675-3310	PRODUCT SPECIFICATION
MIL-STD-348, FIG. 311-1	INTERFACE SPECIFICATION
SPECIFICATION	DESCRIPTION

FUNCTIONAL SYMBOLS	THIS DRAWING CONTAINS INFORMATION THAT IS PROPRIETARY TO MOLEX ELECTRONIC TECHNOLOGIES, LLC AND SHOULD NOT BE USED WITHOUT WRITTEN PERMISSION									
	DIMENSION UNITS		SCALE		CURRENT REV DESC:					
$\frac{F}{A} = 0$	IN/MM		NTS		EC NO: 655936 DRWN: BSHAH 2021/02/08 CHK'D: SSSHAH 2021/02/18 APPR: KTAGAN 2021/02/18					
$\frac{F}{C} = 0$	GENERAL TOLERANCES (UNLESS SPECIFIED)									
$\frac{F}{P} = 0$	4 PLACES		±	±	INITIAL REVISION: DRWN: ELIN 2011/08/31 APPR: MHUANG 2011/09/16					
DIVISIONAL SYMBOLS		3 PLACES		±						
		2 PLACES		±	±	DOCUMENT NUMBER		DOC TYPE	DOC PART	REVISION
		1 PLACE		±	±	SD-73403-588		PSD	001	A3
		0 PLACES		±	±	MATERIAL NUMBER		CUSTOMER		SHEET NUMBER
		ANGULAR TOL		± 2.0 °	DRAFT WHERE APPLICABLE MUST REMAIN WITHIN DIMENSIONS		SEE TABLE		1 OF 2	
		THIRD ANGLE PROJECTION		DRAWING		SERIES				
		C-SIZE		73403						

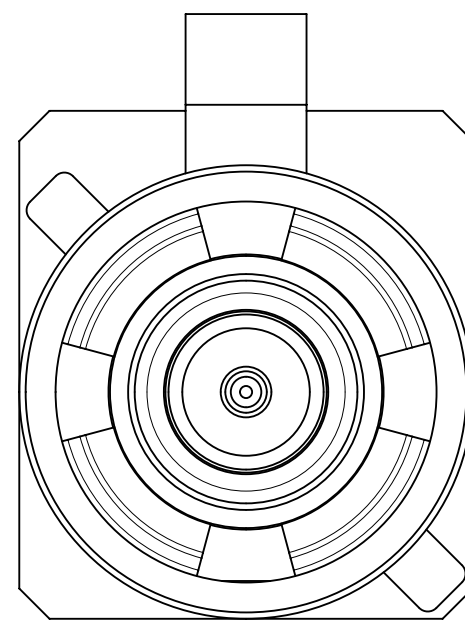
DOCUMENT STATUS	P1	RELEASE DATE	2021/02/18 21:12:11
-----------------	----	--------------	---------------------



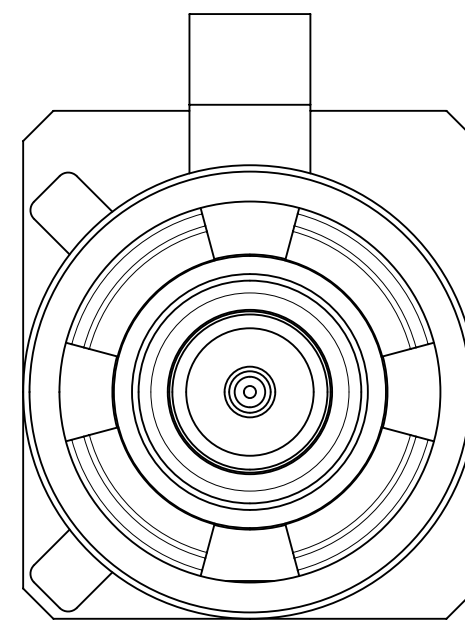
CODE A



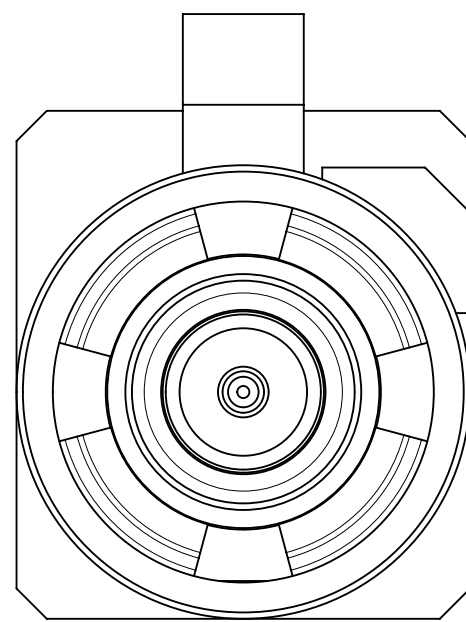
CODE B



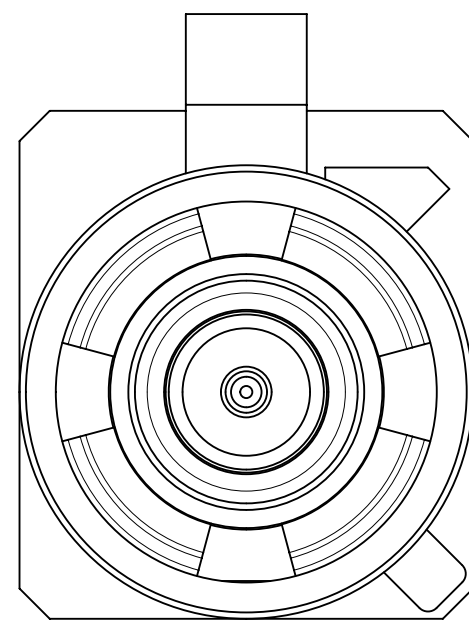
CODE C



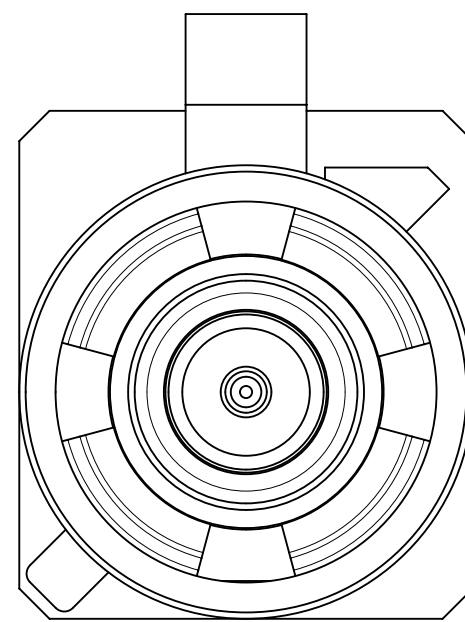
CODE D



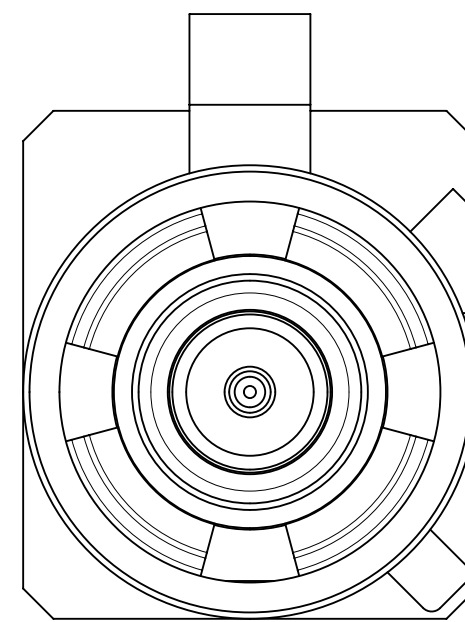
CODE E



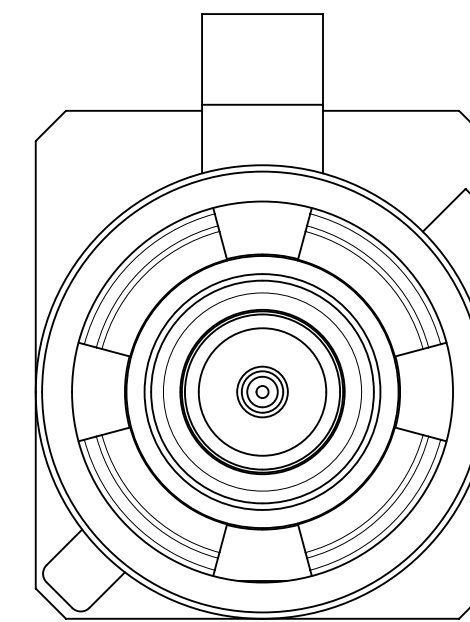
CODE F



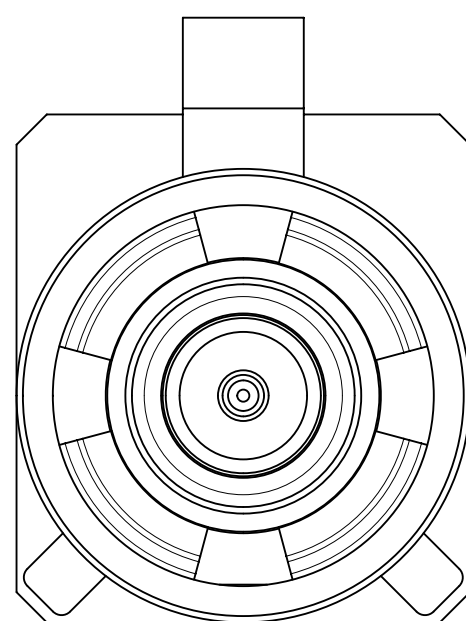
CODE G



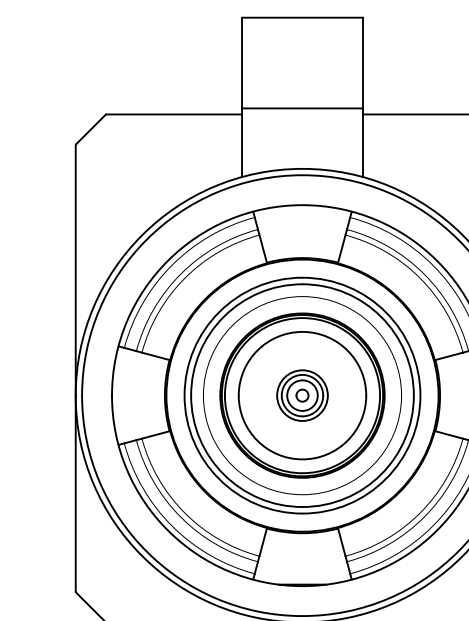
CODE H



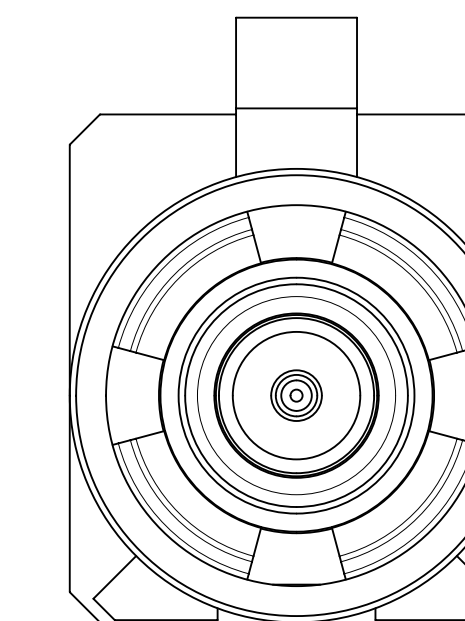
CODE I



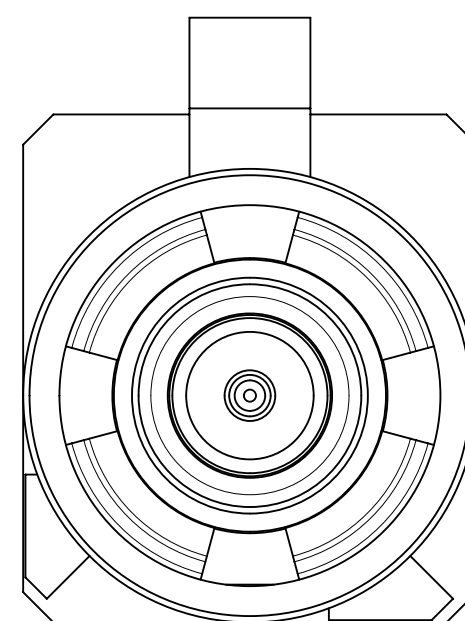
CODE K



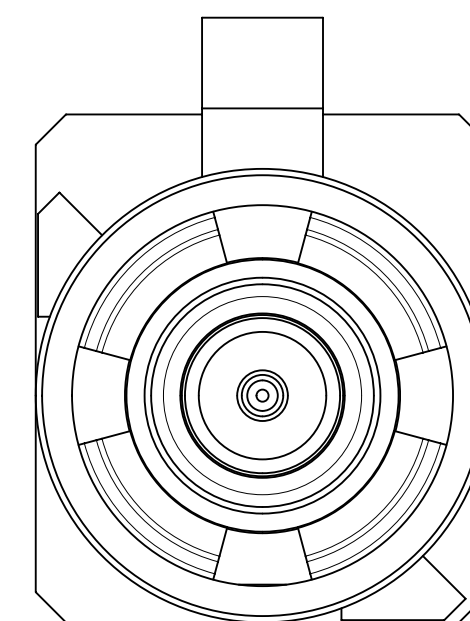
CODE Z



CODE L



CODE M



CODE N

N	PASTEL GREEN	734035893
M	PASTEL ORANGE	734035892
L	CARMINE RED	734035891
Z	WATER BLUE	734035890
K	CURRY YELLOW	734035889
I	BEIGE	734035888
H	VIOLET	734035887
G	GRAY	734035886
F	BROWN	734035885
E	GREEN	734035884
D	BORDEAUXVIOLET	734035883
C	BLUE	734035882
B	SINGLE WHITE	734035881
A	BLACK	734035880
KEYING CODE	COLOR	PART NO.

FUNCTIONAL SYMBOLS	THIS DRAWING CONTAINS INFORMATION THAT IS PROPRIETARY TO MOLEX ELECTRONIC TECHNOLOGIES, LLC AND SHOULD NOT BE USED WITHOUT WRITTEN PERMISSION			
	DIMENSION UNITS	SCALE	CURRENT REV DESC:	
$\frac{F}{A} = 0$	IN/MM	NTS		
$\frac{F}{C} = 0$	GENERAL TOLERANCES (UNLESS SPECIFIED)			EC NO: 655936 DRWN: BSHAH 2021/02/08 CHK'D: SSSHAH 2021/02/18 APPR: KTAGAN 2021/02/18
$\frac{F}{P} = 0$		MM	INCH	
DIVISIONAL SYMBOLS	4 PLACES	±	±	INITIAL REVISION: DRWN: ELIN 2011/08/31 APPR: MHUANG 2011/09/16
	3 PLACES	±	±	
	2 PLACES	±	±	
	1 PLACE	±	±	
	0 PLACES	±	±	
	ANGULAR TOL	±	2.0 °	
DRAFT WHERE APPLICABLE MUST REMAIN WITHIN DIMENSIONS		THIRD ANGLE PROJECTION	DRAWING	SERIES
			C-SIZE	73403
DOCUMENT STATUS		P1	RELEASE DATE	2021/02/18 21:12:11
DOCUMENT NUMBER		CUSTOMER		SHEET NUMBER
SD-73403-588		SEE TABLE		2 OF 2
DOC TYPE		DOC PART	REVISION	
PSD		001	A3	

molex

SMB FAKRA STRAIGHT JACK 50 OHMS
SMB-J/PCB, EWR # 13959

PRODUCT CUSTOMER DRAWING