

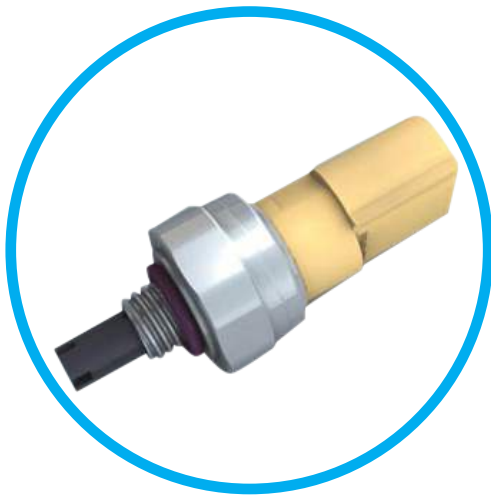
| 112CP SERIES

Combined Pressure & Temperature Sensor

Introduction

The 112CP series combined pressure and temperature sensors delivers the benefit of both pressure and in-stream temperature sensing in a single, robust integrated package.

Sensata Technologies has been a leading global supplier of pressure sensors and switches for over 50 years.



Features

- Pressure and temperature measurement in one package
- Fast, in-stream temperature measurement
- Precise superheat measurement

Applications

- Air conditioning & refrigeration
- Alternative energy management
- Engine controls & monitors
- Compressors & pumps

SPECIFICATIONS

Pressure Ranges	0 to 150 psi through 0 to 650 psi
Pressure Accuracy	±0.8% F.S. (linearity, hysteresis, repeatability and calibration)
Total Error Band	±1.7% F.S. (0°C to +85°C)
Proof Pressure	≥ 2X
Burst Pressure	≥ 3X
Temperature Accuracy	±1% (delta R/R)
Resistance @ 25°C	10K or 100 ohms
Operating Temperature	-40°C to 135°C
Supply Voltage (VCC)	4.5 to 5.5 VDC
Output Voltage	0.5 to 4.5 VDC
Supply Current	0.5 to 4.5 VDC
Output Current	8.0 mA
Output Load Range	10K to 50K ohms
Overvoltage Protection	16 VDC
Reverse Voltage Protection	-14 VDC
Output Response Time	10mS

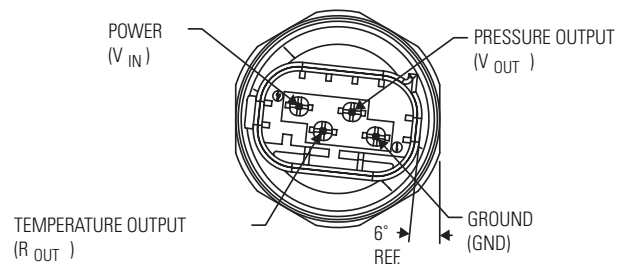
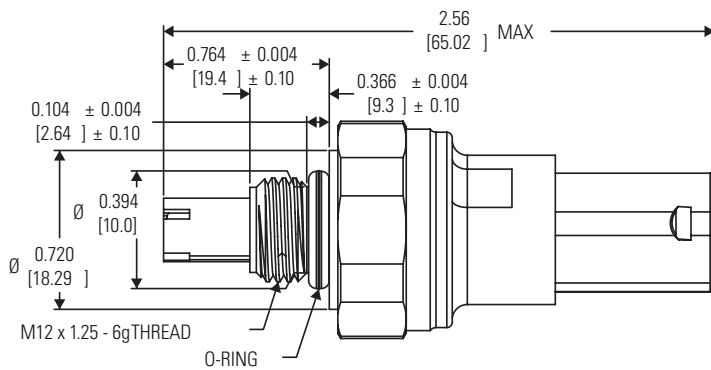
Cycle Life	≥ 1M cycles
Vibration	5g
Drop (any Axis)	1m
Electrical Connection	4 pin AMP Micro-Quadlok System™ connector
Weight	1.5 oz max

*Refer to chart for seal compatibility

NOTE: Not suitable for use in conductive media

Micro-Quadlok System is a trademark of Tyco Electronics Corporation

DIMENSIONS



STANDARD OFFERINGS

Pressure Connections

M12 x 1.25 - 6g plated steel

1/4" NPT male brass

Pressure References

Absolute

Sealed gage

Pressure Ranges

9.0 to 150 psia

26.8 to 500 psia

Elastomer Seals

See Seal Compatibility Guide



SEAL COMPATIBILITY GUIDE

Seal Material	Media Compatibility	Max Seal Temperature Range
Nitrile (BUNA-N, NBR)	Petroleum oils, lubricants, detergent solutions, helium	-20°C to 100°C
HNBR (Hydrogenated Nitrile)	Petroleum oils, lubricants, detergent solutions	-20°C to +135°C
Ethylene Propylene	Steam, soaps, polar solvents, brake fluids, acetone, Skydrol™	-40°C to +135°C
Fluorosilicone	Chlorinated solvents, oils, fuels, air	-40°C to +135°C
Neoprene	Refrigerants (freons/ammonia)	-40°C to +120°C
Fluorocarbon (Viton™)	Fertilizers, freons, butanes, oils, trichlorethylene	-35°C to +135°C



ORDERING OPTIONS

Part Number	Pressure	Pressure Connection	Thermistor	Internal Seal	Thread O-Ring
112CP3-4	9 to 149 psia	M12 x 1.25 - 6g plated steel	10k Ohm @ 25°C	Neoprene	Neoprene
112CP3-6	9 to 149 psia	1/4" NPT male brass	10k Ohm @ 25°C	Nitrile	—
112CP3-8	9 to 500 psia	M12 x 1.25 - 6g plated steel	10k Ohm @ 25°C	Neoprene	Neoprene
112CP3-9	9 to 500 psia	1/4" NPT male brass	10k Ohm @ 25°C	Nitrile	—



AGENCY & CERTIFICATIONS

RoHS, REACH available

Sensata Technologies, Inc. ("Sensata") data sheets are solely intended to assist designers ("Buyers") who are developing systems that incorporate Sensata products (also referred to herein as "components"). Buyer understands and agrees that Buyer remains responsible for using its independent analysis, evaluation and judgment in designing Buyer's systems and products. Sensata data sheets have been created using standard laboratory conditions and engineering practices. Sensata has not conducted any testing other than that specifically described in the published documentation for a particular data sheet. Sensata may make corrections, enhancements, improvements and other changes to its data sheets or components without notice.

Buyers are authorized to use Sensata data sheets with the Sensata component(s) identified in each particular data sheet. HOWEVER, NO OTHER LICENSE, EXPRESS OR IMPLIED, BY ESTOPPEL OR OTHERWISE TO ANY OTHER SENSATA INTELLECTUAL PROPERTY RIGHT, AND NO LICENSE TO ANY THIRD PARTY TECHNOLOGY OR INTELLECTUAL PROPERTY RIGHT, IS GRANTED HEREIN. SENSATA DATA SHEETS ARE PROVIDED "AS IS". SENSATA MAKES NO WARRANTIES OR REPRESENTATIONS WITH REGARD TO THE DATA SHEETS OR USE OF THE DATA SHEETS, EXPRESS, IMPLIED OR STATUTORY, INCLUDING ACCURACY OR COMPLETENESS. SENSATA DISCLAIMS ANY WARRANTY OF TITLE AND ANY IMPLIED WARRANTIES OF MERCHANTABILITY, FITNESS FOR A PARTICULAR PURPOSE, QUIET ENJOYMENT, QUIET POSSESSION, AND NON-INFRINGEMENT OF ANY THIRD PARTY INTELLECTUAL PROPERTY RIGHTS WITH REGARD TO SENSATA DATA SHEETS OR USE THEREOF.

All products are sold subject to Sensata's terms and conditions of sale supplied at www.sensata.com SENSATA ASSUMES NO LIABILITY FOR APPLICATIONS ASSISTANCE OR THE DESIGN OF BUYERS' PRODUCTS. BUYER ACKNOWLEDGES AND AGREES THAT IT IS SOLELY RESPONSIBLE FOR COMPLIANCE WITH ALL LEGAL, REGULATORY AND SAFETY-RELATED REQUIREMENTS CONCERNING ITS PRODUCTS, AND ANY USE OF SENSATA COMPONENTS IN ITS APPLICATIONS, NOTWITHSTANDING ANY APPLICATIONS-RELATED INFORMATION OR SUPPORT THAT MAY BE PROVIDED BY SENSATA.

Mailing Address: Sensata Technologies, Inc., 529 Pleasant Street, Attleboro, MA 02703, USA.

CONTACT US

Americas

+1 (800) 350 2727

sensors@sensata.com

switches@sensata.com

Europe, Middle East & Africa

+359 (2) 809 1826

pressure-info.eu@sensata.com

Asia Pacific

sales.isasia@list.sensata.com

China +86 (21) 2306 1500

Japan +81 (45) 277 7117

Korea +82 (31) 601 2004

India +91 (80) 67920890

Rest of Asia +886 (2) 27602006

ext 2808