



Directional 10 dB 2.92mm Coupler From 18 GHz to 40 GHz Rated to 30 Watts

Couplers Technical Data Sheet

PE2CP1126-10

Features

- 18 GHz to 40 GHz
- 30 Watts CW Max Power
- 10 dB Coupling Value
- Directional 2.92mm Coupler
- Meets Standards for Humidity, Shock, Vibration, Altitude

Applications

- Communications Systems
- GSM, LTE, 5G
- Amplifier Systems
- Point-to-Point Radio
- Automotive Radar
- Defense Applications
- Wireless Telecommunications

Description

The PE2CP1126-10 is an 10 dB RF coupler with 50 ohm 2.92mm connectors operating from 18 GHz to 40 GHz with a maximum input power of 30 Watts CW, and peak power handling of 500 watt. The PE2CP1126-10 has a coupling factor of 10 dB, insertion loss of 1.6 dB maximum and a maximum VSWR of 1.6:1. The coupler operates over a temperature range of -45 to 85° C and meets environmental standard for humidity, shock, vibration, and altitude. Couplers have many Applications and perform several functions within the RF/Microwave industry such as circuit feedback and signal sampling for measurement or monitoring.

Electrical Specifications

| Description | Minimum | Typical | Maximum | Units |
|-----------------------|---------|---------|---------|-------|
| Frequency Range | 18 | | 40 | GHz |
| Impedance | | 50 | | Ohms |
| Coupling | 9 | 10 | 11 | dB |
| Frequency Sensitivity | | ±0.7 | ±1 | dB |
| Insertion Loss | | 1.4 | 1.6 | dB |
| Directivity | 12 | 15 | | dB |
| Main Line VSWR | | 1.45:1 | 1.6:1 | |
| Secondary Line VSWR | | 1.45:1 | 1.6:1 | |
| Input Power (CW) | | | 30 | Watts |
| Input Power (Peak) | | | 500 | Watts |

Mechanical Specifications

| | |
|------------------------------|---------------------|
| Weight | 0.058 lbs [26.31 g] |
| Housing Material and Plating | Aluminum |

Click the following link (or enter part number in "SEARCH" on website) to obtain additional part information including price, inventory and certifications: [Directional 10 dB 2.92mm Coupler From 18 GHz to 40 GHz Rated to 30 Watts PE2CP1126-10](#)



Directional 10 dB 2.92mm Coupler From
18 GHz to 40 GHz Rated to 30 Watts

Couplers Technical Data Sheet

PE2CP1126-10

Configuration

| | |
|--------------------|---------------|
| Package Type | Connectorized |
| Input Connector | 2.92mm Female |
| Output Connector | 2.92mm Female |
| Coupled Connectors | 2.92mm Female |

Environmental Specifications

Temperature

| | |
|-----------------|-------------------|
| Operating Range | -45 to +85 deg C |
| Storage Range | -55 to +125 deg C |

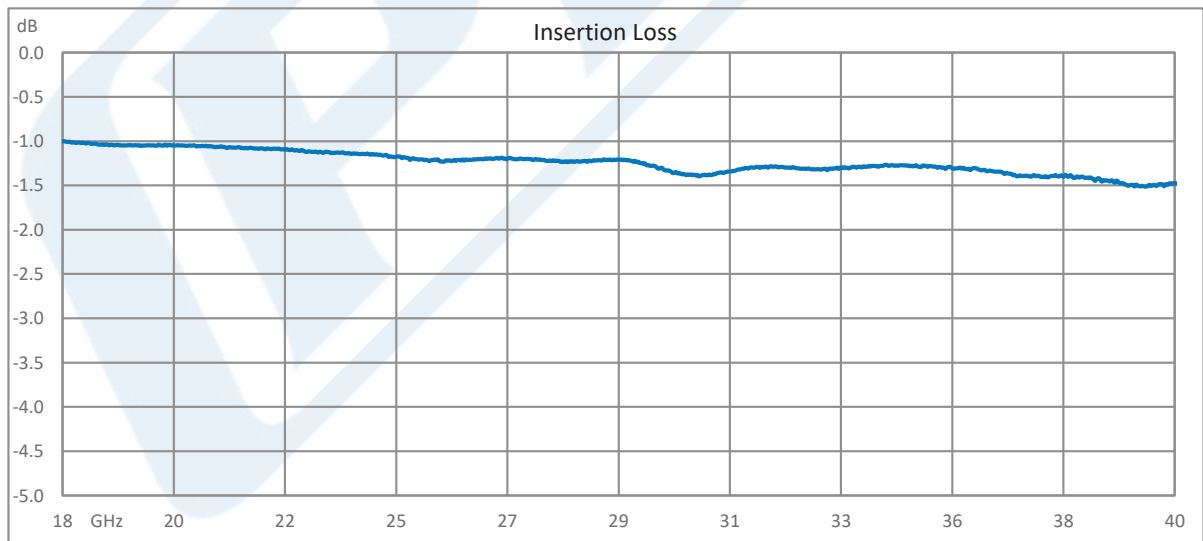
| | |
|-----------|---|
| Humidity | 100% RH at 35°C, 95% RH at 40°C |
| Shock | 20G for 11msec half sine wave, 3 axis both directions |
| Vibration | 25g RMS (15 degrees 2KHz) endurance, 1 hour per axis |
| Altitude | 30,000 ft. (Epoxy Sealed Controlled environment) |

Compliance Certifications (see [product page](#) for current document)

Plotted and Other Data

Notes:

Typical Performance Data



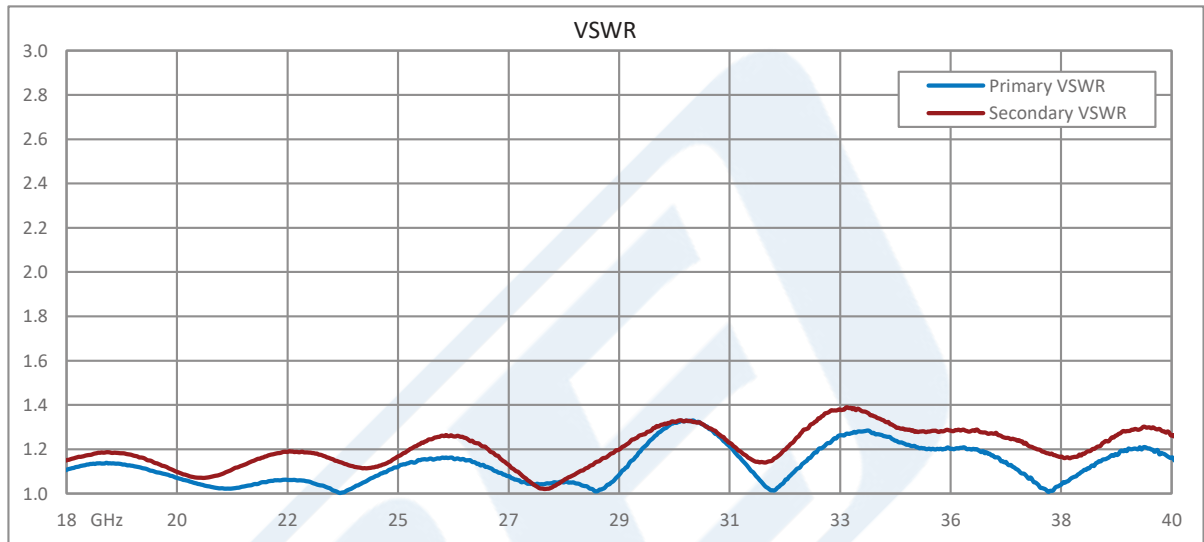
Click the following link (or enter part number in "SEARCH" on website) to obtain additional part information including price, inventory and certifications: [Directional 10 dB 2.92mm Coupler From 18 GHz to 40 GHz Rated to 30 Watts PE2CP1126-10](#)



Directional 10 dB 2.92mm Coupler From
18 GHz to 40 GHz Rated to 30 Watts

Couplers Technical Data Sheet

PE2CP1126-10



Directional 10 dB 2.92mm Coupler From 18 GHz to 40 GHz Rated to 30 Watts from Pasternack Enterprises has same day shipment for domestic and International orders. Our RF, microwave and millimeter wave products maintain a 99.4% availability and are part of the broadest selection in the industry.

Click the following link (or enter part number in "SEARCH" on website) to obtain additional part information including price, inventory and certifications: [Directional 10 dB 2.92mm Coupler From 18 GHz to 40 GHz Rated to 30 Watts PE2CP1126-10](https://www.pasternack.com/directional-10-db-2.92mm-coupler-40-ghz-pe2cp1126-10-p.aspx)

URL: <https://www.pasternack.com/directional-10-db-2.92mm-coupler-40-ghz-pe2cp1126-10-p.aspx>

The information contained in this document is accurate to the best of our knowledge and representative of the part described herein. It may be necessary to make modifications to the part and/or the documentation of the part, in order to implement improvements. Pasternack reserves the right to make such changes as required. Unless otherwise stated, all specifications are nominal. Pasternack does not make any representation or warranty regarding the suitability of the part described herein for any particular purpose, and Pasternack does not assume any liability arising out of the use of any part or documentation.

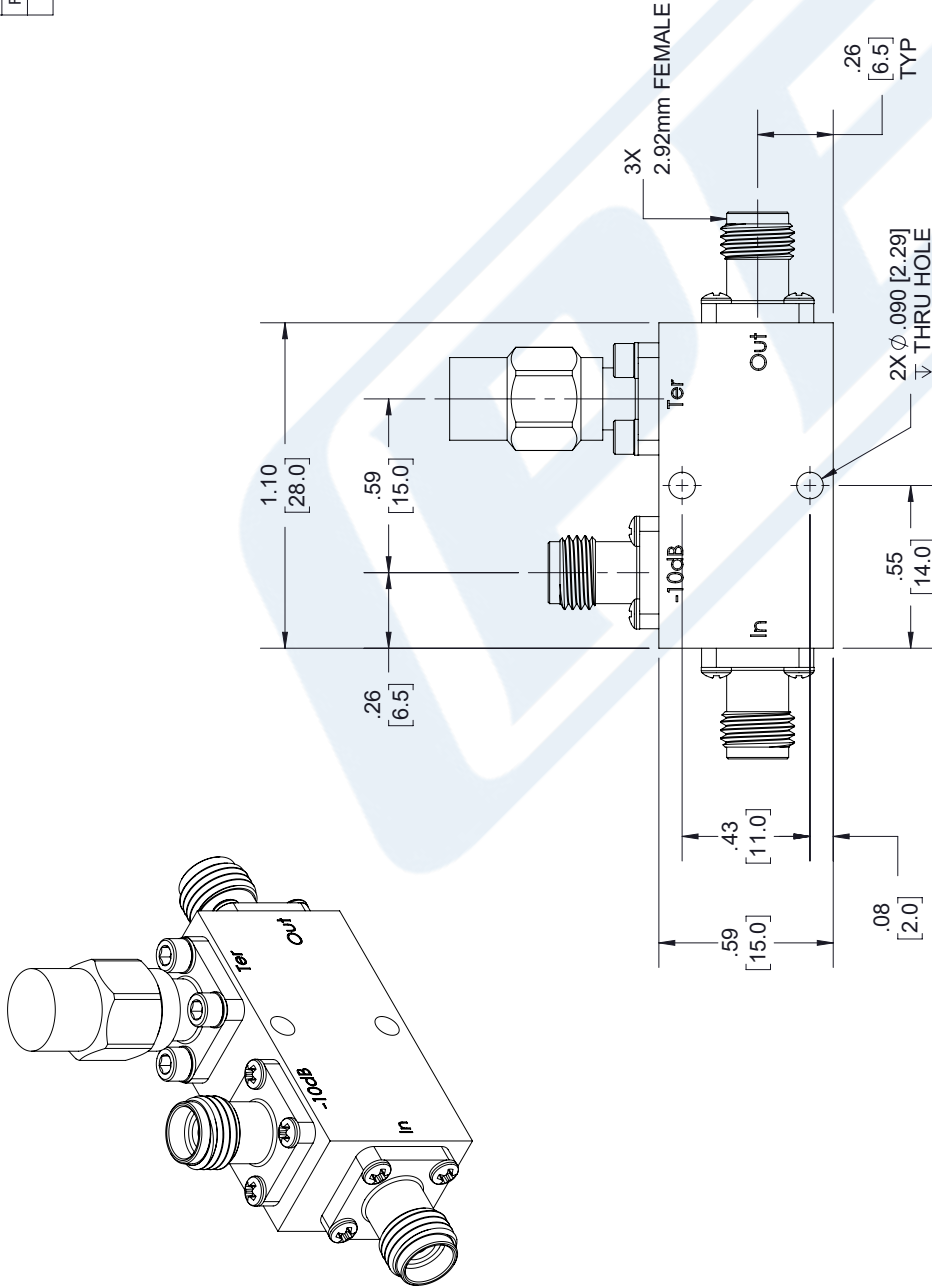
PE2CP1126-10 CAD Drawing

Directional 10 dB 2.92mm Coupler From 18 GHz to 40 GHz Rated to 30 Watts

| REV. | DESCRIPTION | DATE | APPROVED |
|------|------------------|-----------|----------|
| C | PCR PE2CP1126-10 | 8/11/2021 | S PONG |

REVISIONS

| REV. | DESCRIPTION | DATE | APPROVED |
|------|------------------|-----------|----------|
| C | PCR PE2CP1126-10 | 8/11/2021 | S PONG |



PE PASTERNAK
an INFINITI brand

Pasternack Enterprises, Inc.
P. O. Box 16759, Irvine, CA 92623.
Phone: 1.949.261.1920 | 1.866.727.8376
Fax: 1.949.261.7451
Website: www.pasternack.com
E-mail: sales@pasternack.com

THIRD-ANGLE PROJECTION

THE INFORMATION AND DESIGN IN THIS DOCUMENT IS THE PROPERTY OF PASTERNAK CORPORATION. ALL RIGHTS RESERVED.

SHEET 1 OF 1

SCALE N/A

UNLESS OTHERWISE SPECIFIED LEADING DIMENSIONS ARE INCHES DIMENSIONS IN [] ARE MILLIMETERS

TOLERANCES:

.X = ±.2 [5.08] FRACTIONS ±.1/32
.XX = ±.02 [.51] ±.1/32
.XXX = ±.005 [.13] ANGLES ± 1°

CABLE LENGTH (L) TOLERANCES:

L ≤ 12 [305] = +1 [25] / -0
12 [305] < L ≤ 60 [1524] = +2 [51] / -0
60 [1524] < L ≤ 120 [3048] = +4 [102] / -0
120 [3048] < L ≤ 300 [7620] = +6 [152] / -0
300 [7620] < L = +5%L / -0

ALL DIMENSIONS SHOWN ARE FOR REFERENCE ONLY.

SIZE [CAGE CODE] DRAWN BY ITEM NO.

A 53919 K.DANG PE2CP1126-10

LABEL

PASTERNAK
PE2CP1126-10
D/C: YVWW

THESE COMMODITIES, TECHNOLOGY OR SOFTWARE WERE EXPORTED FROM THE UNITED STATES IN ACCORDANCE WITH THE EXPORT ADMINISTRATION REGULATIONS. DIVERSION CONTRARY TO U.S. LAW PROHIBITED.