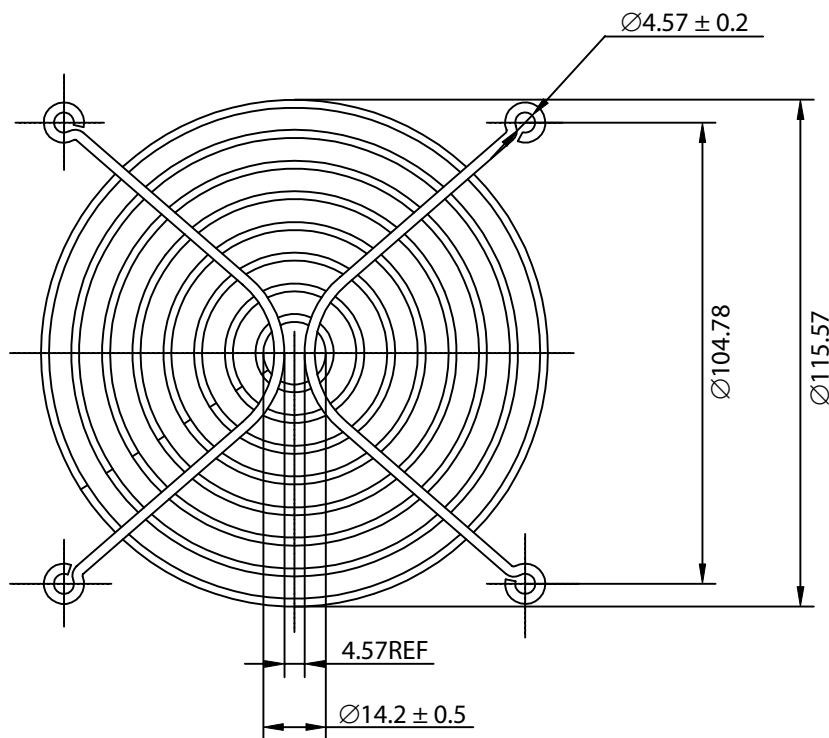


THESE DRAWINGS ARE THE PROPERTY OF QUALTEK ELECTRONICS AND NOT TO BE REPRODUCED FOR OR COMMUNICATED TO A THIRD PARTY WITHOUT THE EXPRESS WRITTEN PERMISSION OF AN OFFICER OF QUALTEK ELECTRONICS.

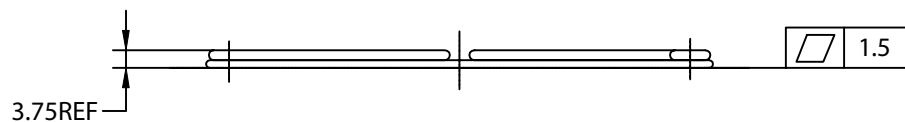
REVISION			
REV.	DESCRIPTION	DATE	APPROVED
B	RoHS Compliancy	06-01-06	DP



NOTES:

1. MATERIAL: C1008 BRIGHT BASIC WIRE
2. FINISH: BRIGHT NICKEL CHROME PLATING
3. 0.35 ± 0.05 DEPTH OF SERRATIONS ON WIRE
4. RING: $\varnothing 1.8 \pm 0.1$ mm
RIB: $\varnothing 2.3 \pm 0.1$ mm
5. GENERAL TOLERANCE UNLESS NOTED IS ± 0.5 mm
6. RoHS COMPLIANT

CONTROLLED



		Qualtek Electronics Corp. FAN-S DIVISION		
Dim range (mm)	Tolerance +/- (mm)	Part Number: 08129		RoHS Compliant
		Description: WIRE FORM FAN GUARD (120mm)		
0-5	0.1	UNIT: mm		REV: B
5-16	0.15	Drawn / Date		Checked / Date
16-64	0.2	B. ZHANG 12-10-04		Approved / Date
64-250	0.4	12-10-04		JJH / 12-10-04
250-1000	0.5			
1000-1500	1.0			