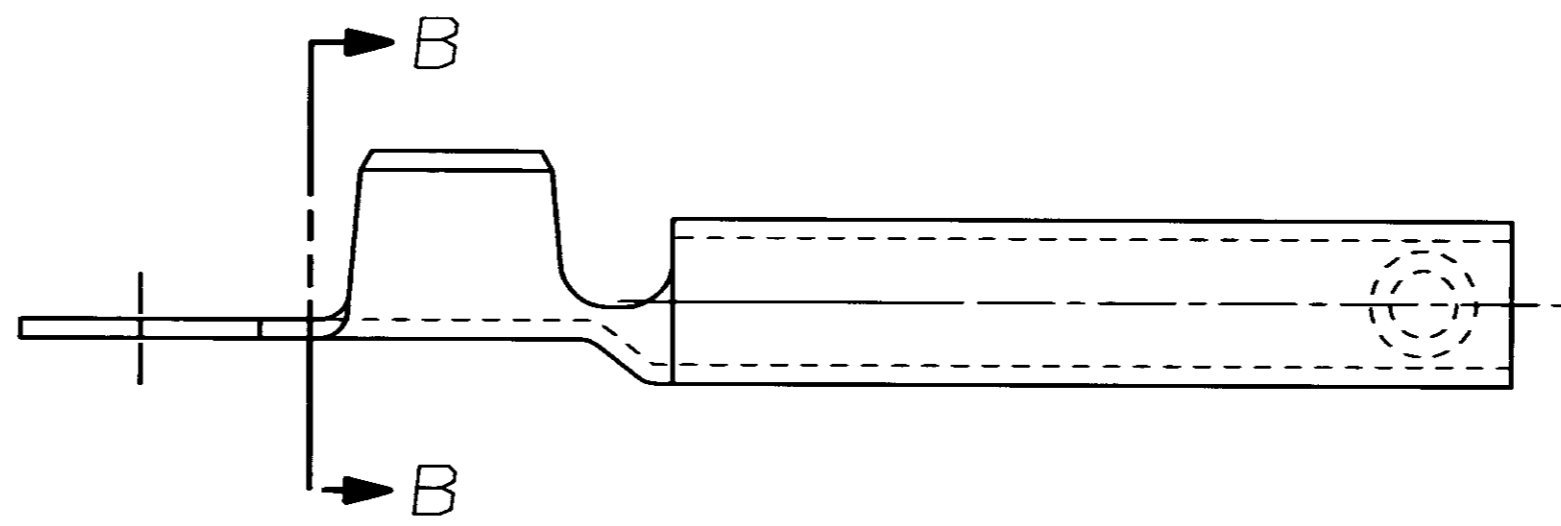
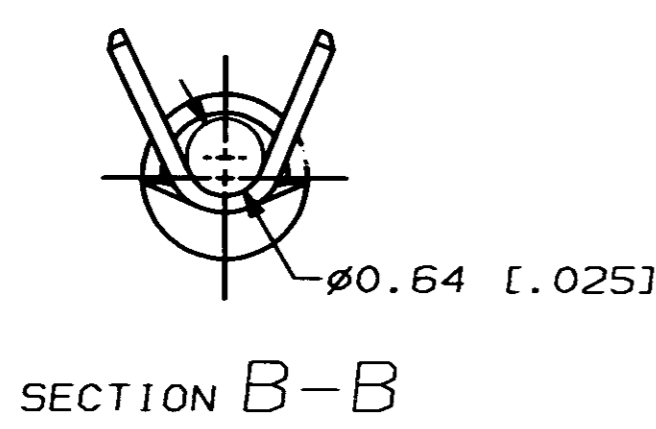
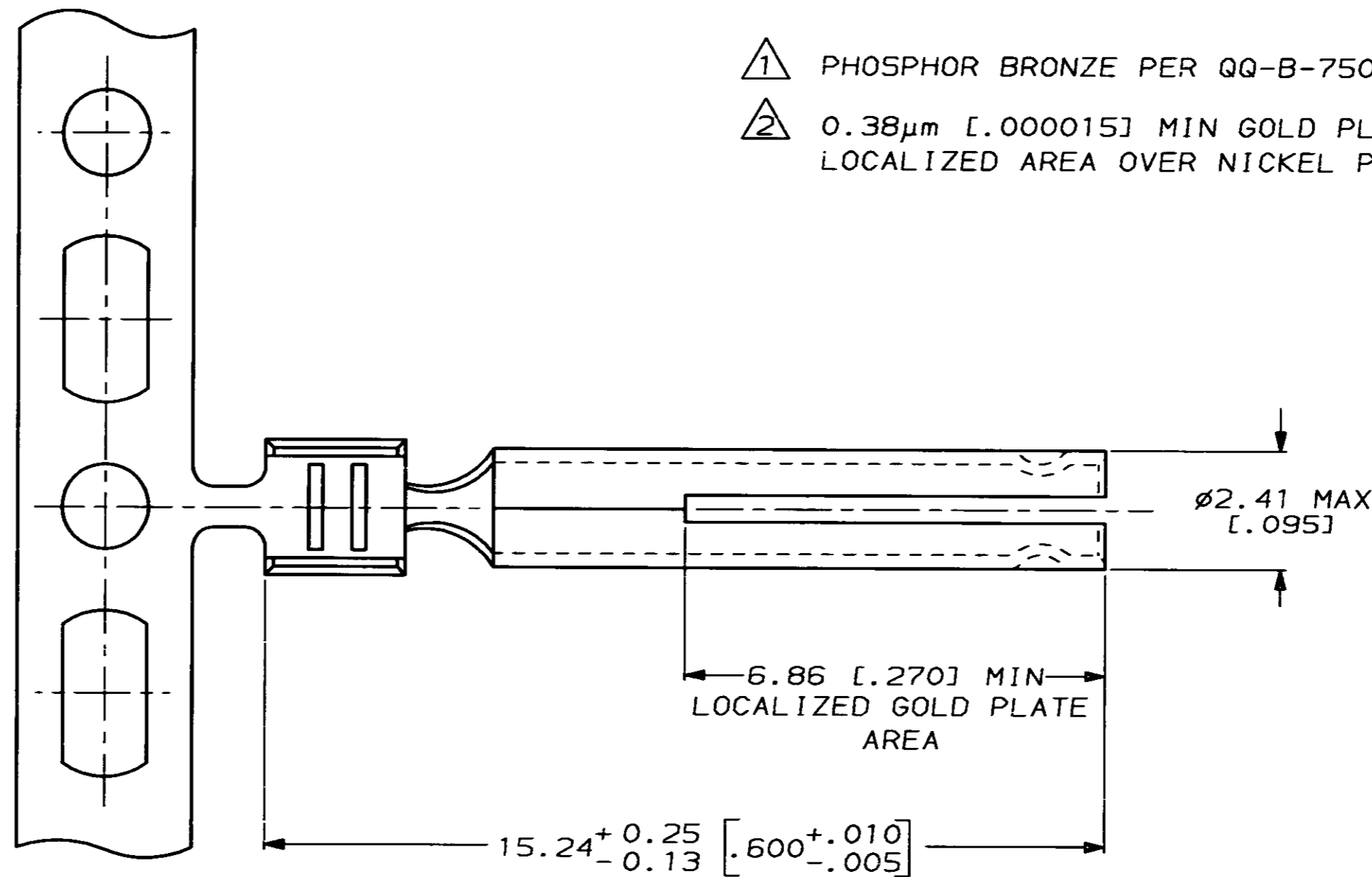


LOC	DIST	P	F	ZONE	LTR	DESCRIPTION	DATE	APPD
AJ	16				0	REL PER 92-3338-015	12-2-92	MS
					A	REVISED PER 0220-0088-93	8-24-93	JG



414478-2
 PART NUMBER

DO NOT SCALE PRINT. UNLESS SPECIFIED DIMENSIONS IN INCHES TOLERANCES ON: 2 PLC DEC \pm - 3 PLC DEC ± 0.20 [.008] ANGLES \pm -		DR M. SNEED 6-4-92	AMP INCORPORATED Harrisburg, Pa. 17105	
MATERIAL $\triangle 1$		CHK J. DUNBAR 6-4-92		
FINISH $\triangle 2$		APPD J. DUNBAR 12-2-92	NAME CONTACT, JACK, MINIATURE UHF	
		APPD M. SNEED 12-2-92	SIZE C	CAGE CODE 00779
		PRODUCT SPEC -	DRAWING NO 414478	SHEET 1 OF 1
		APPLICATION SPEC -	SCALE 10:1	
		WEIGHT -		