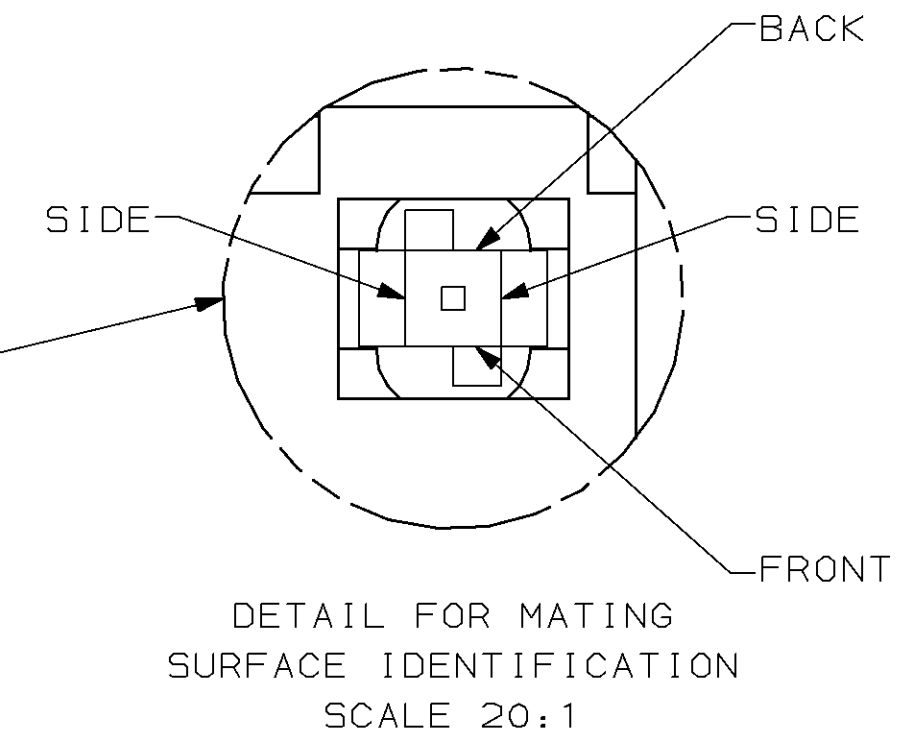
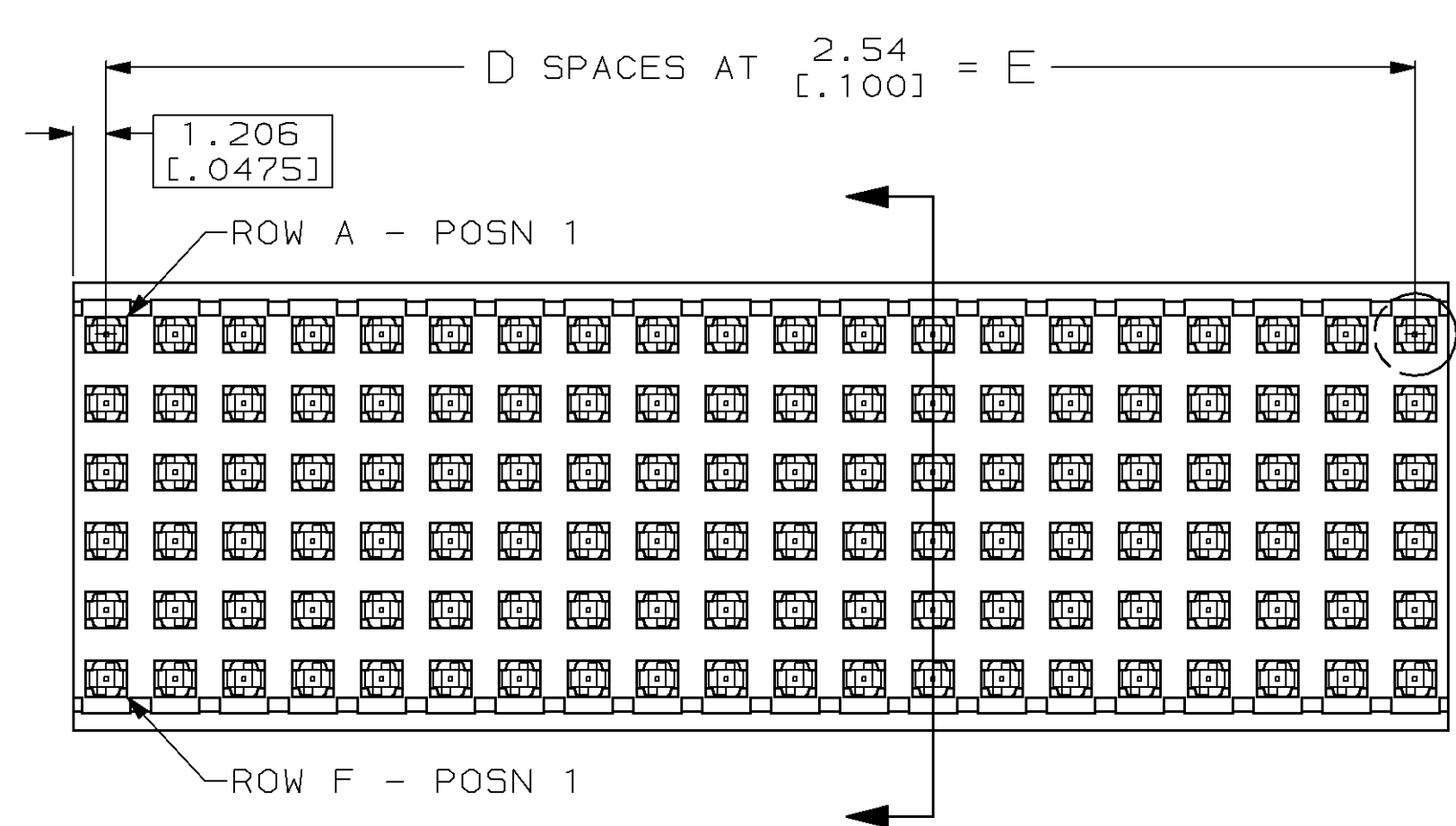
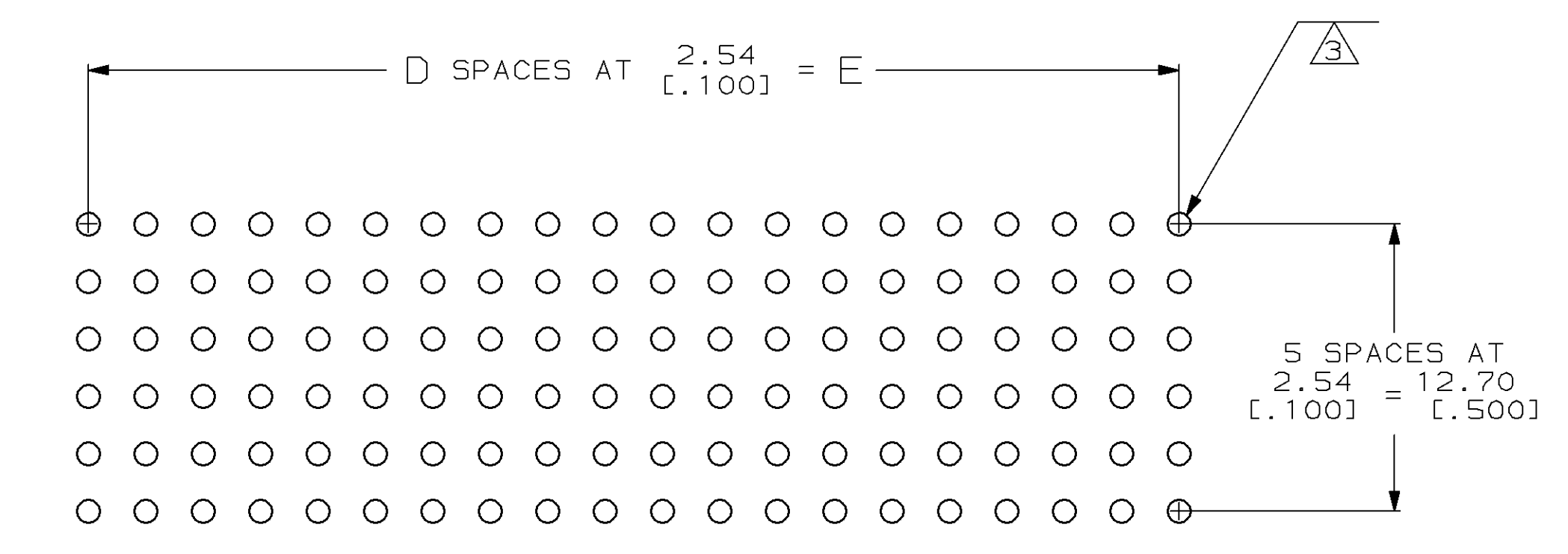
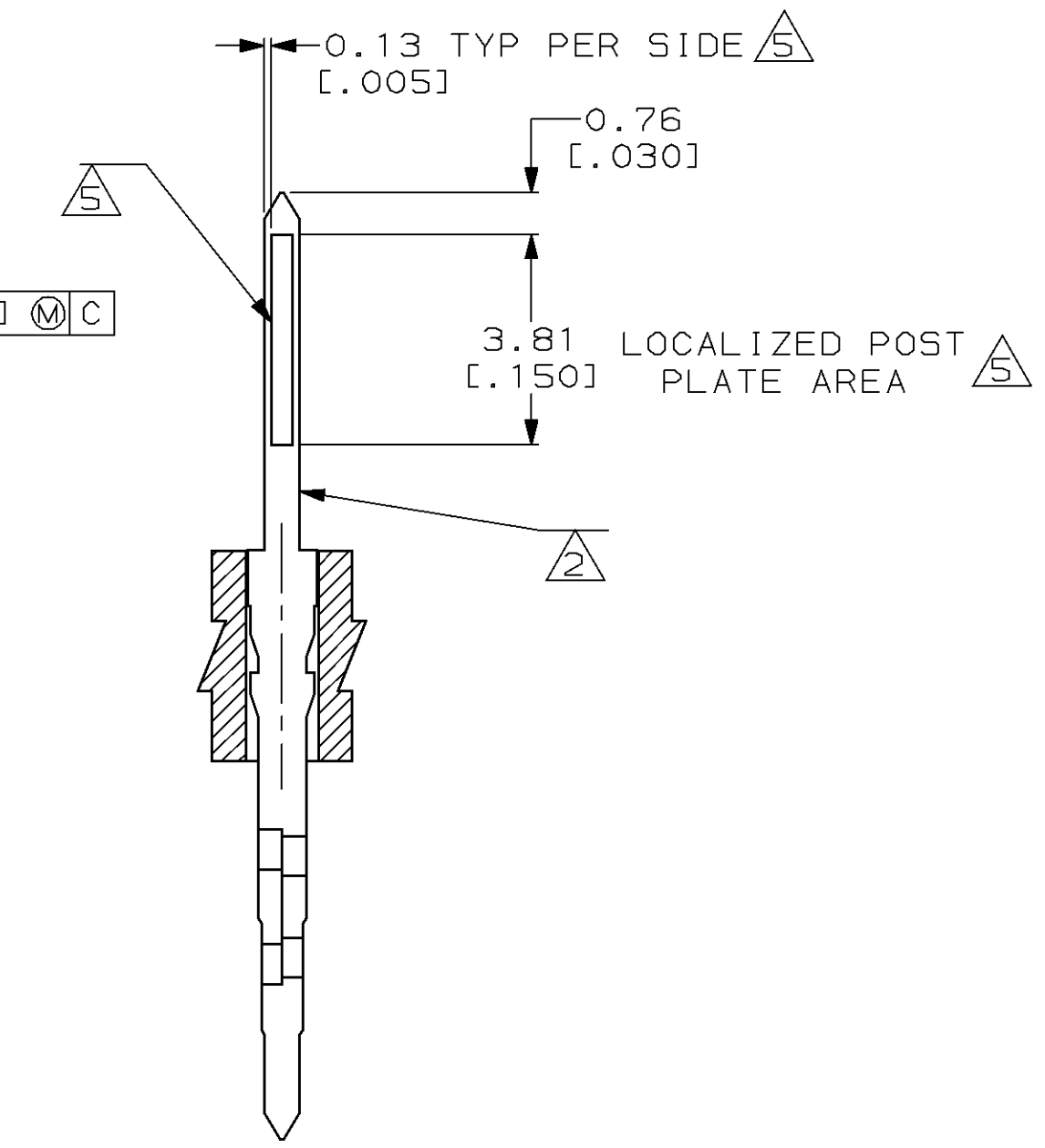
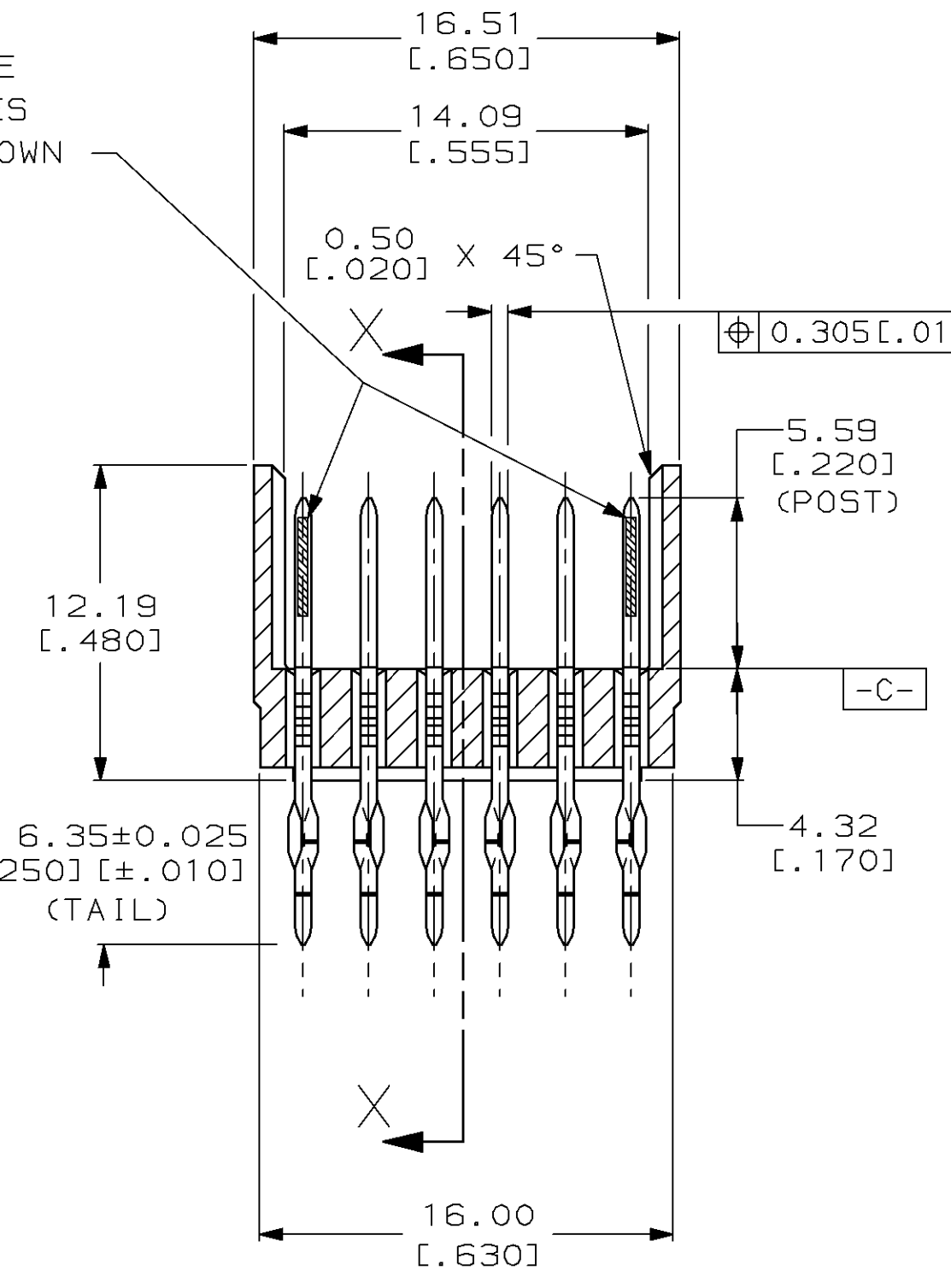
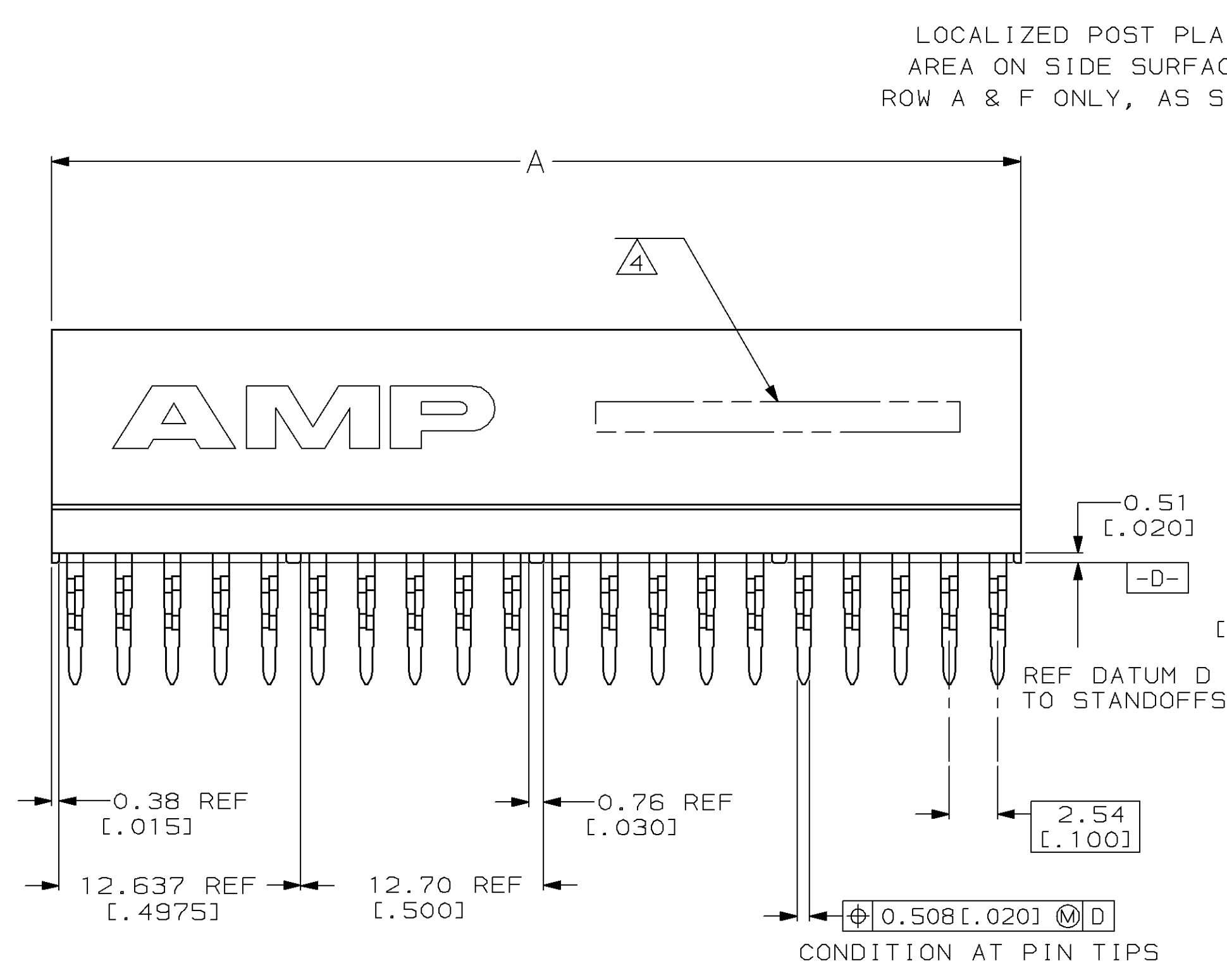


LOC		DIST		REVISIONS			
AD	25	P	LTR	DESCRIPTION	DATE	OWN	APVD
		0		RELEASED PER 94-2306-018	12-19-94	TH	WM
		A		PER EC 0512-95	6-1-95	TS	WM
		B		PER EC 0725-95	6-1-95	TS	WM
		C		PER EC 1667-95	3-18-96	TS	DH
		D		PER EC 0730-96	7-2-96	TS	JR



- 1 MATERIAL: HOUSING - GLASS FILLED POLYESTER, COLOR - BLACK  
CONTACTS - PHOSPHOR BRONZE
- 2 FINISH: ALL ROWS (A THRU F) 0.0013[0.00050] MIN NICKEL UNDERPLATE ALL OVER WITH 0.0013[0.00050] MIN DURAGOLD PLATE ON ALL CONTACT AREAS TIN-LEAD PLATE ON ACTION PIN TAILS
- 3 ACTION PIN POSTS REQUIRE 2.36 [0.093] MIN THICK PC BOARD. RECOMMENDED PC BOARD HOLES ARE 1.151 [0.0453] DIA PLATED THROUGH WITH 0.025-0.076 [0.001-.003] COPPER, WITH 0.0076 [0.0003] MIN TIN-LEAD PLATING. AFTER PLATING FINISHED HOLES SHALL BE 0.94-1.09 [0.037-.043] DIA; AFTER REFLOW 0.91-1.09 [0.036-.043] DIA.
- 4 AMP PART NUMBER, DATE CODE AND IBM PART NUMBER (SEE TABLE) MARKED IN THIS APPROXIMATE AREA.
- 5 POROSITY ZONES ARE AS SHOWN IN SECTION:  
MATING POST END: ROWS A AND F 3.81[0.150] LOCALIZED POST PLATE AREA TYPICAL ON ALL FOUR SIDES. ROWS B THRU E HAVE 3.81[0.150] LOCALIZED POST PLATE AREA TYPICAL ON FRONT & BACK SURFACES ONLY.



98F2245	48.26 [1.900]	19	50.67 [1.995]	120	536880-2
98F2244	35.56 [1.400]	14	37.97 [1.495]	90	536880-1
IBM PART NUMBER	E	D	A	POSN	PART NO

THIS DRAWING IS A CONTROLLED DOCUMENT FOR AMP INCORPORATED. IT IS SUBJECT TO CHANGE AND THE CONTROLLING ENGINEERING DEPARTMENT SHALL BE CONTACTED FOR THE LATEST REVISION.

DWN: T. HOFFMAN 12/12/94  
CHK: W. MILLIHINES 12-22-94  
AMP/D: W. MILLIHINES 12-22-94

AMP INCORPORATED  
Harrisburg, PA 17105-3508

NAME: TBC PLUS / CONCENTRATED STRESS CONTACT CENTER PIN MODULE ASSEMBLY FULLY LOADED

SIZE: A1 CAGE CODE: 00779 DRAWING NO: 536880

MATERIAL: 1  
FINISH: 2  
WEIGHT: -  
CUSTOMER DRAWING

SCALE: 4:1 SHEET: 1 OF 1 REV: D