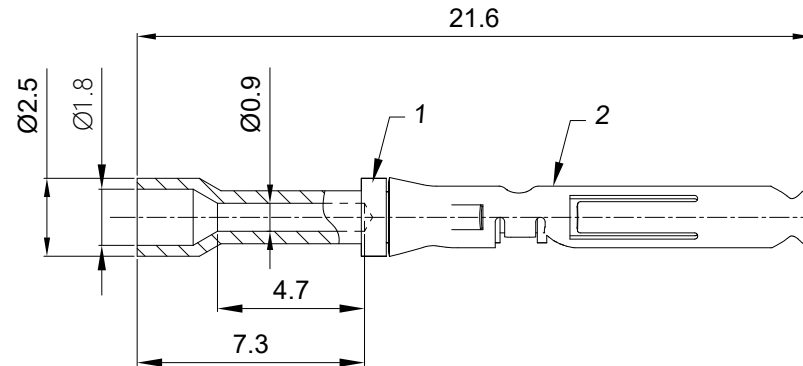


REVISIONS					
REV	ECO	DESCRIPTION	DATE	BY	APPR
B1	-	RELEASED DRAWING	JAN-18-2014	ARROW	TOMMY



- NOTES: (UNLESS OTHERWISE SPECIFIED)
- MATERIAL:
 - CONTACT BODY: COPPER ALLOY.
 - POSITIONING CLIP: STAINLESS STEEL.
 - SPECIFICATIONS:
 - CURRENT RATING: 7.5A(MAX).
 - TERMINATION TYPE: CRIMPING.
 - CRIMP WIRE RANGE: 26~24AWG.
 - SUITABLE SOCKET TYPE: MP24W23XX.
 - ROHS COMPLIANT.
 - ALL DIMENSION ARE FOR REFERENCE USE ONLY.

P/N	CONTACT PLATING(MATING AREA)
MS24W23F	GOLD FLASH PLATING OVER NICKEL.
MS24W23G10	10μ" GOLD PLATING OVER NICKEL.
MS24W23G15	15μ" GOLD PLATING OVER NICKEL.
MS24W23G30	30μ" GOLD PLATING OVER NICKEL.

QUANTITY	PART NUMBER	DESCRIPTION	ITEM
MATERIALS LIST			
<small>UNLESS OTHERWISE SPECIFIED</small> 1) All dimensions are in metric(mm). 2) Tolerances are as follows: 1 PL DEC ±0.30 2 PL DEC ±0.15 3 PL DEC ±0.08 Fractions ±1/64 Angles ±1° 3) Note reference =		SIGNATURES DRAWN: ARROW CHECKED: ENGINEER: APPROVAL:	DATE JAN-17-2014
<small>MATERIAL SPECIFICATIONS:</small> THIS DRAWING IS SUPPLIED FOR INFORMATION ONLY. DESIGN FEATURES, SPECIFICATIONS AND PERFORMANCE DATA SHOWN HEREON ARE THE PROPERTY OF THE AMPHENOL CORPORATION. NO RIGHTS OF REPRODUCTION ARE IMPLIED. ALL DIMENSIONS ARE SUBJECT TO NORMAL MANUFACTURING VARIATIONS.		Amphenol Sine Systems - www.amphenol-sine.com 44724 Morley Drive Clinton Township, MI 48036	
<small>PROCESS SPECIFICATIONS:</small> NEXT ASSY:		<small>CUSTOMER:</small> ECO-MATE, SOCKET CONTACT, MACHINE, 26-24AWG, SIZE 20	<small>SIZE</small> B <small>TYPE</small> C- <small>DWG NO:</small> MS24W23XX <small>REVISION</small> B1
		<small>SCALE</small> NONE	<small>SHEET</small> 1 <small>OF</small> 1

TITLE: ECO-MATE SOCKET CONTACT MACHINE, 26-24AWG, SIZE 20
 DWG NO: MS24W23XX
 REV: B1
 SH: 1
 OF: 1