



### Main

Range of Product	Harmony Modular iPC
Product or Component Type	Flat screen
Terminal type	Touchscreen display
Integrated connection	USB 2.0 type A 1.5 Mbit/s Modular Box PC type

### Complementary

Device mounting	Flush
Local signalling	Status LED
View angle horizontal x vertical	140 x 115°
Contrast Ratio	500:1
Touchscreen resolution	2048 x 2048
Function Available	Operate with water on screen
[Us] rated supply voltage	24 V DC power supply 100...240 V AC power supply 47...63 Hz
Supply voltage limits	18...36 V DC
Power Consumption in W	43.6 W typical)Box PC HMIBMP 57.87 W maximum)Box PC HMIBMP 38.6 W typical)Box PC HMIBMU 52.87 W maximum)Box PC HMIBMU
Display size	12.1 inch
Aspect ratio	4:3
Display type	LED Colour TFT LCD
Display Resolution	1024 x 768 pixels XGA
Display colour	16777216 colors
Luminance	27.87 fc (300 cd/m²)
Backlight lifespan	50000 hours 77 °F (25 °C)
Touch panel	Single touch analogue resistive
Type of Installation	Indoor installation
Inrush current	8.9 A
Width	12.56 in (319.1 mm)
Height	9.65 in (245.1 mm)
Depth	Enclosure 2.61 in (66.3 mm) 0.28 in (7 mm)
Net Weight	5.07 lb(US) (2.3 kg)

The information provided in this documentation contains general descriptions and/or technical characteristics of the performance of the products contained herein. This documentation is not intended as a substitute for and is not to be used for determining suitability or reliability of these products for specific user applications. It is the duty of any such user or integrator to perform the appropriate and complete risk analysis, evaluation and testing of the products with respect to the relevant specific application or use thereof. Neither Schneider Electric Industries SAS nor any of its affiliates or subsidiaries shall be responsible or liable for misuse of the information contained herein.

## Environment

IP degree of protection	IP66
NEMA degree of protection	NEMA 4X
Standards	Class I division 2 CSA C22.2 No 213 CSA C22.2 No 142 UL 6110-2-201 Class I division 2 ANSI/ISA 12-12-01
Product Certifications	CE C-tick IEC-Ex EAC
Ambient air temperature for operation	32...131 °F (0...55 °C)
Ambient air temperature for storage	-22...158 °F (-30...70 °C)
Pollution degree	2
Relative Humidity	10...95 % non-condensing
Operating altitude	6561.68 ft (2000 m)
Vibration resistance	1 gn 5...500 Hz HDD 2 gn 5...500 Hz SSD 2 gn 5...500 Hz Cfast card



## Ordering and shipping details

Category	22574-MAGELIS BOX PC AND PANEL PC
Discount Schedule	MC2
GTIN	3606481245533
Nbr. of units in pkg.	1
Package weight(Lbs)	9.77 lb(US) (4.432 kg)
Returnability	No


## Packing Units

Unit Type of Package 1	PCE
Package 1 Height	18.70 in (47.5 cm)
Package 1 width	10.04 in (25.5 cm)
Package 1 Length	17.72 in (45 cm)
Unit Type of Package 2	CAR
Number of Units in Package 2	1
Package 2 Weight	9.48 lb(US) (4.3 kg)
Package 2 Height	17.72 in (45 cm)
Package 2 width	9.65 in (24.5 cm)
Package 2 Length	16.93 in (43 cm)
Unit Type of Package 3	P12
Number of Units in Package 3	6
Package 3 Weight	58.63 lb(US) (26.592 kg)
Package 3 Height	25.20 in (64 cm)
Package 3 width	31.50 in (80 cm)
Package 3 Length	47.24 in (120 cm)

## Offer Sustainability

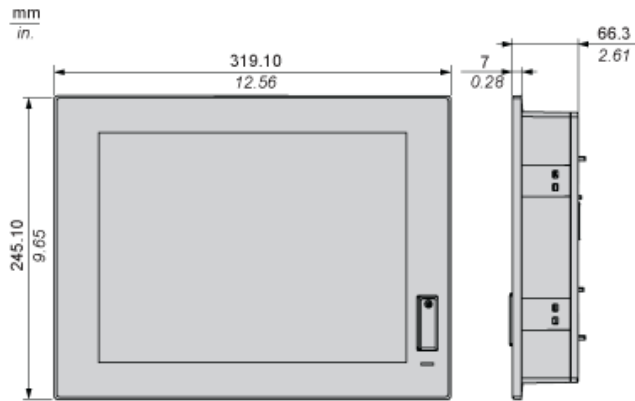
California proposition 65	WARNING: This product can expose you to chemicals including: Lead and lead compounds, which is known to the State of California to cause cancer and birth defects or other reproductive harm. For more information go to <a href="http://www.P65Warnings.ca.gov">www.P65Warnings.ca.gov</a>
REACH Regulation	 <a href="#">REACH Declaration</a>
REACH free of SVHC	Yes
EU RoHS Directive	Pro-active compliance (Product out of EU RoHS legal scope)  <a href="#">EU RoHS Declaration</a>
Mercury free	Yes

---

RoHS exemption information	 <a href="#">Yes</a>
China RoHS Regulation	 <a href="#">China RoHS Declaration</a>
WEEE	The product must be disposed on European Union markets following specific waste collection and never end up in rubbish bins.

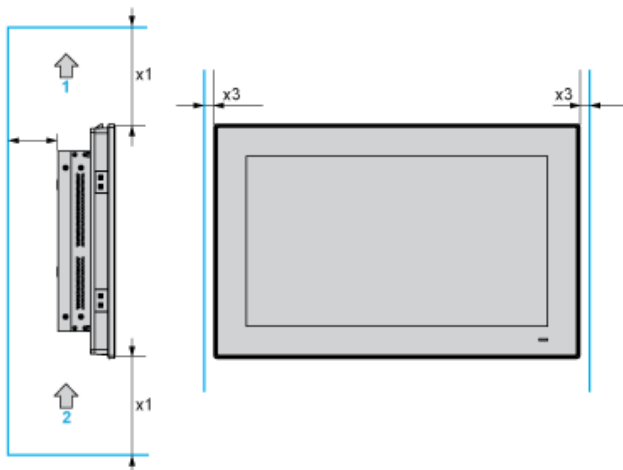
---

## Display Dimensions



## Spacing requirements - Mounted with Display adaptor HMIDAD

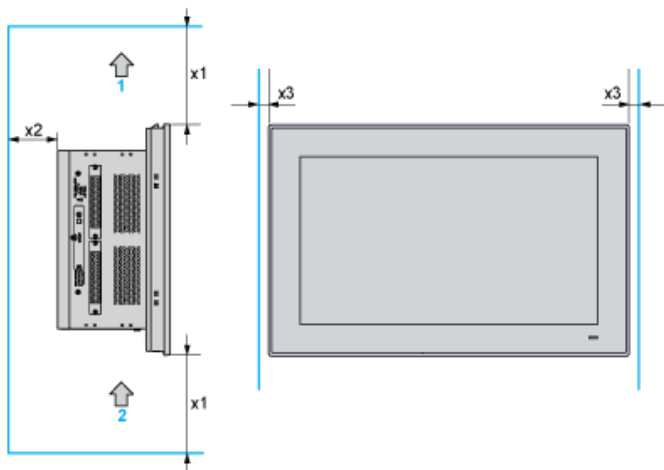
In order to provide sufficient air circulation, mount the Display Adapter so that the spacing above, below and on the sides of the unit is as follows:



- 1 : Air out
- 2 : Air in
- $x1 > 100 \text{ mm (3.93 in)}$
- $x2 > 50 \text{ mm (1.96 in)}$
- $x3 > 15 \text{ mm (0.59 in)}$

## Spacing Requirements - Mounted with Modular Box PC HMIBM

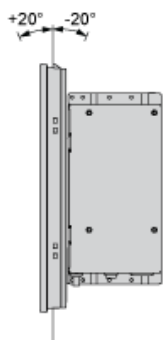
In order to provide sufficient air circulation, mount the display so that the spacing above, below and on the sides of the unit is as follows:



- 1 : Air out
- 2 : Air in
- $x1 > 100 \text{ mm (3.93 in)}$
- $x2 > 50 \text{ mm (1.96 in)}$
- $x3 > 15 \text{ mm (0.59 in)}$

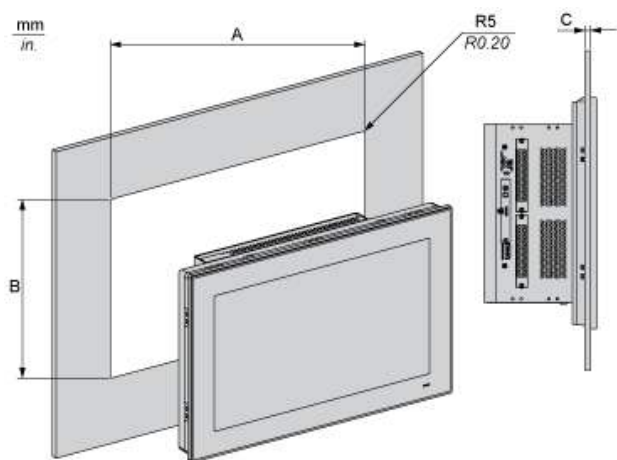
## Mounting Orientation

The following figure shows the allowed mounting orientation for the display:



### Panel Cut Dimensions

For cabinet installation, you need to cut the correctly sized opening in the installation panel according to the model of display.



A		B		C		R	
mm	in.	mm	in.	mm	in.	mm	in.
301.5	11.87	227.5	8.85	2...4	0.08...0.16	5	0.20