

CUC-STD-C1PGY-S/R4EA:10 - RJ45 connector



1414399

<https://www.phoenixcontact.com/us/products/1414399>

Please be informed that the data shown in this PDF document is generated from our online catalog. Please find the complete data in the user documentation. Our general terms of use for downloads are valid.



RJ45 connector, design: RJ45, degree of protection: IP20, number of positions: 8, 10 Gbps, CAT6_A, material: Plastic, connection method: Crimp connection, connection cross section: AWG 24- 27, cable outlet: straight, color: gray, Ethernet

Your advantages

- Reliable 360° shield contact due to the proven crimp connection
- Easy installation with a crimping tool
- Pin insert for V.06 sleeve housing VS-08-T-H-RJ45/IP67

Commercial data

Item number	1414399
Packing unit	1 pc
Minimum order quantity	10 pc
Sales key	AB11
Product key	ABNAAH
GTIN	4055626028217
Weight per piece (including packing)	4.73 g
Weight per piece (excluding packing)	4.7 g
Customs tariff number	85366990
Country of origin	TW

1414399

<https://www.phoenixcontact.com/us/products/1414399>

Technical data

Product properties

Type	RJ45
Product type	Data connector (cable side)
Sensor type	Ethernet
Number of positions	8
Connection profile	RJ45
No. of cable outlets	1
Type	RJ45
Shielded	yes
Cable outlet	straight
Positions/contacts	8P8C

Insulation characteristics

Overvoltage category	I
Degree of pollution	2

Electrical properties

Rated voltage (III/3)	72 V (DC)
Rated current	1 A
Contact resistance	< 20 mΩ (Contact) < 100 mΩ (shield)
Insulation resistance	> 500 MΩ
Nominal voltage U_N	72 V (DC)
Nominal current I_N	1 A
Contact resistance per contact pair	< 20 Ω
Contact resistance	> 10 mΩ (Wire – IDC)
Transmission medium	Copper
Transmission characteristics (category)	CAT6 _A
Transmission speed	10 Gbps

Connection data

Connection technology

Connection method	Crimp connection
Connection cross section AWG	24 ... 27 (flexible)
Conductor cross section	0.11 mm ² ... 0.22 mm ² (flexible)
Cable outlet, angle	180

Dimensions

Width	13.5 mm
Height	17 mm
Length	44.65 mm

1414399

<https://www.phoenixcontact.com/us/products/1414399>

Material specifications

Color	gray
Flammability rating according to UL 94	V2
Contact material	Phosphor bronze
Contact surface material	Au/Ni
Contact carrier material	PC
Locking latch material	PC
Housing material	Plastic

Cable/line

External cable diameter ()	5.8 mm ... 6 mm
Test voltage Core/Core	1000 V
Test voltage Core/Shield	1500 V

Mechanical properties

Mechanical data

Insertion/withdrawal cycles	≥ 750
Insertion force per signal contact	< 20.00 N
Extraction force per signal contact	< 20 N

Environmental and real-life conditions

Ambient conditions

Degree of protection	IP20
Ambient temperature (operation)	-25 °C ... 60 °C

Mounting

Mounting type	Crimp connection
Connection method	Crimp connection

CUC-STD-C1PGY-S/R4EA:10 - RJ45 connector

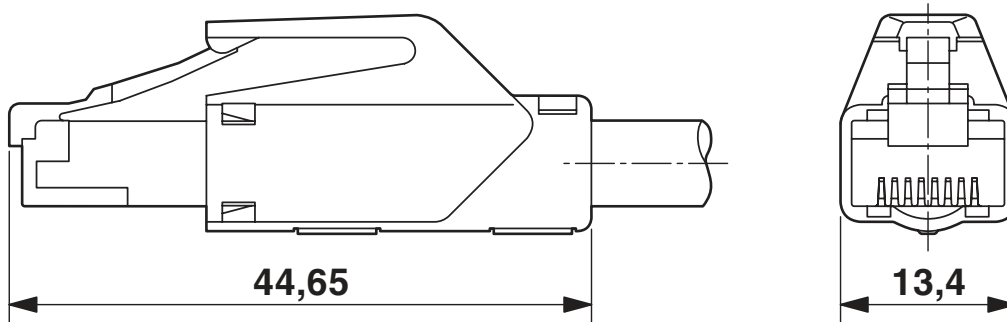


1414399

<https://www.phoenixcontact.com/us/products/1414399>

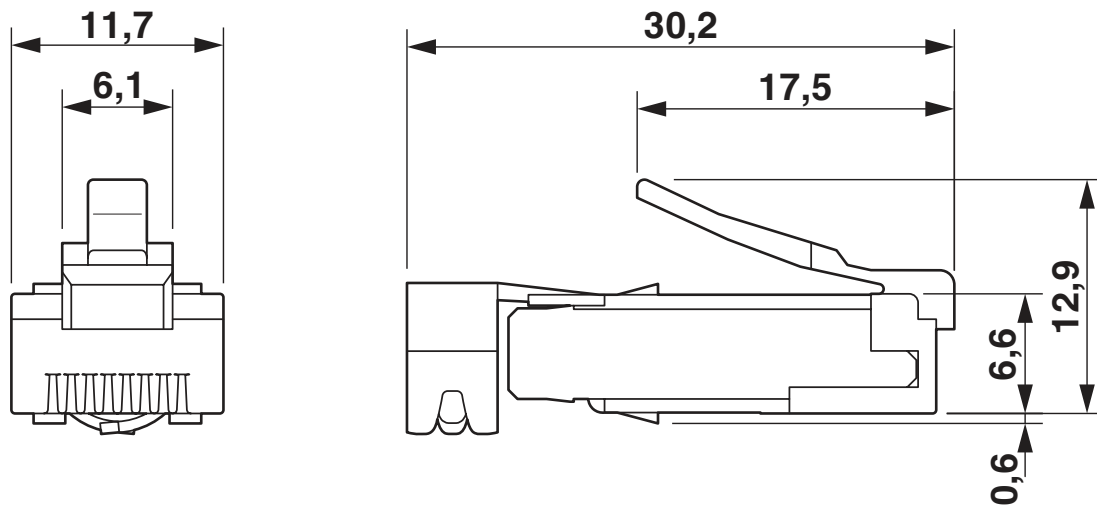
Drawings

Dimensional drawing



RJ45 connector, IP20

Dimensional drawing



RJ45 male insert

CUC-STD-C1PGY-S/R4EA:10 - RJ45 connector



1414399

<https://www.phoenixcontact.com/us/products/1414399>

Approvals

To download certificates, visit the product detail page: <https://www.phoenixcontact.com/us/products/1414399>



EAC

Approval ID: B.01687

CUC-STD-C1PGY-S/R4EA:10 - RJ45 connector



1414399

<https://www.phoenixcontact.com/us/products/1414399>

Classifications

ECLASS

ECLASS-11.0	27440101
ECLASS-12.0	27440113
ECLASS-13.0	27440113

ETIM

ETIM 8.0	EC002636
----------	----------

UNSPSC

UNSPSC 21.0	39121400
-------------	----------

CUC-STD-C1PGY-S/R4EA:10 - RJ45 connector



1414399

<https://www.phoenixcontact.com/us/products/1414399>

Environmental product compliance

China RoHS	Environmentally friendly use period: unlimited = EFUP-e
	No hazardous substances above threshold values

CUC-STD-C1PGY-S/R4EA:10 - RJ45 connector



1414399

<https://www.phoenixcontact.com/us/products/1414399>

Accessories

VS-CT-RJ45-H - Crimping pliers

1653265

<https://www.phoenixcontact.com/us/products/1653265>



Crimp tool, pliers with die, for RJ45 pin inserts VS-08-ST-H...-RJ45 and VS-08-RJ45-10G/C

Phoenix Contact 2023 © - all rights reserved
<https://www.phoenixcontact.com>

Phoenix Contact USA
586 Fulling Mill Road
Middletown, PA 17057, United States
(+717) 944-1300
info@phoenixcon.com