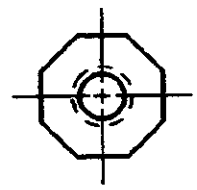


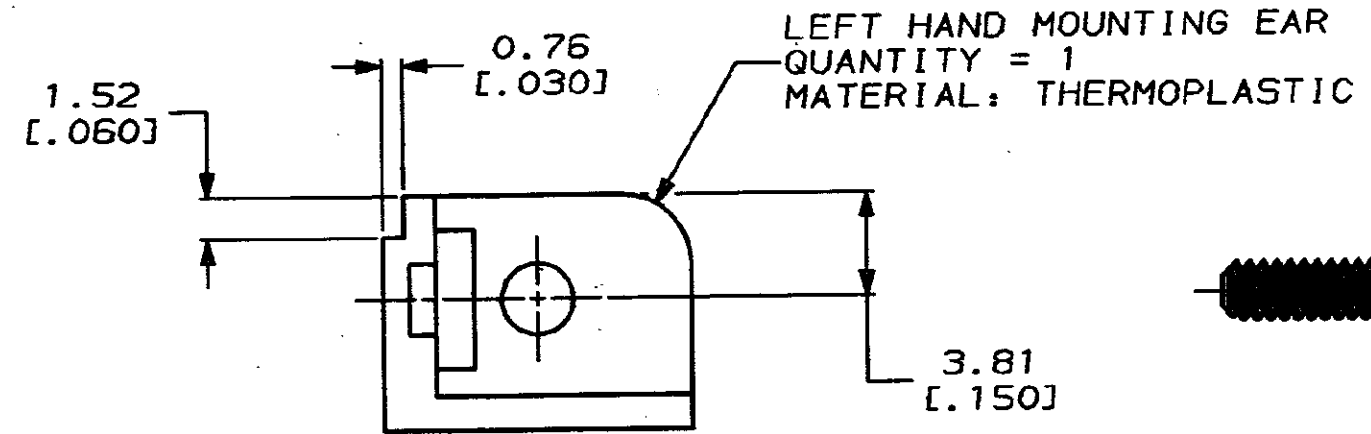
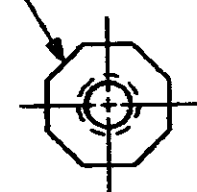
DRAWING MADE IN THIRD ANGLE PROJECTION

THIS DRAWING IS UNPUBLISHED. RELEASED FOR PUBLICATION, 19...
BY AMP INCORPORATED. ALL INTERNATIONAL RIGHTS RESERVED.

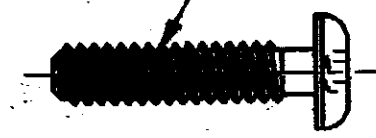
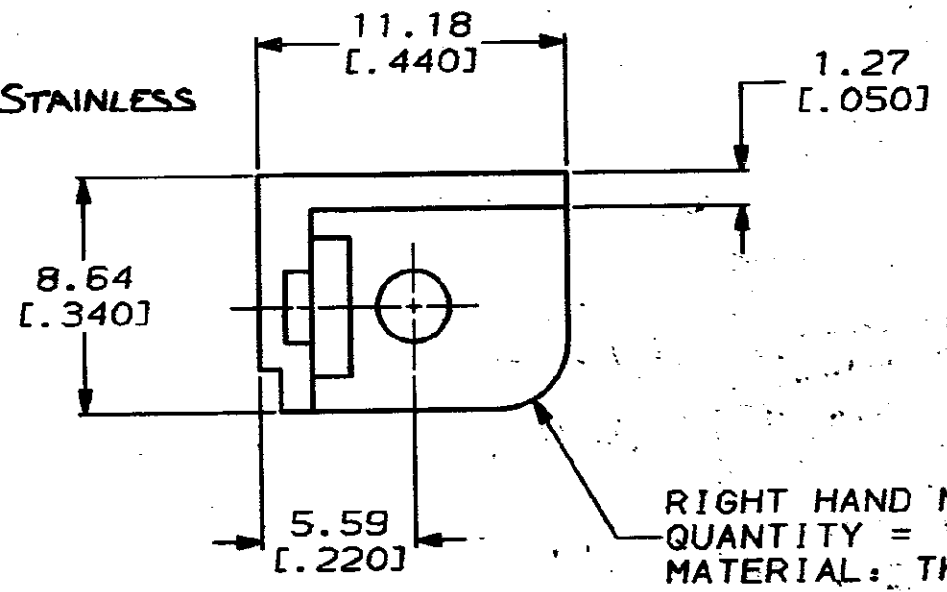
| LOC | | DIST | | REVISIONS | | | | DATE | APPD |
|-----|----|------|---|-----------|-----|-------------|----------|------|------|
| AD | 25 | P | F | ZONE | LTR | DESCRIPTION | | | |
| | | ✓ | ✓ | | F | ECN AD4218 | 05/03/90 | RKS | |



#2-56 OCTAGONAL NUT
QUANTITY = 2
MATERIAL: PASSIVATED STAINLESS STEEL

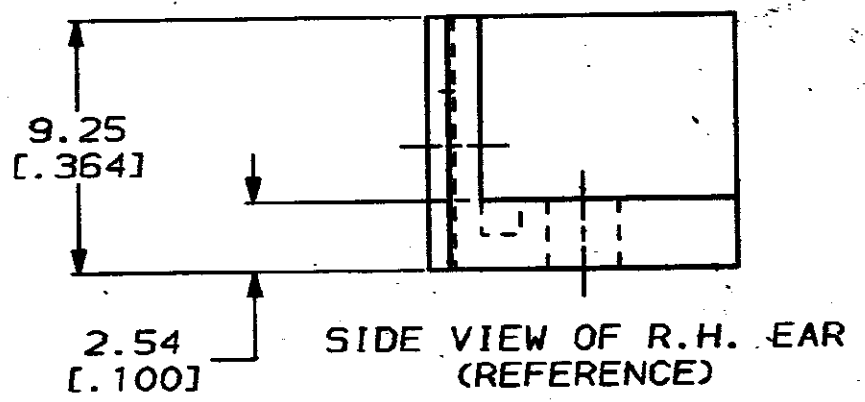


#2-56 BUTTON HEAD CAP SCREW
0.95 ^{+0.00} _{-0.08} [.375 ^{+0.000} _{-.030}] LONG
QUANTITY = 2
MATERIAL: PASSIVATED STAINLESS STEEL



533050-1: IS AS SHOWN.
533050-2: CONTAINS MOUNTING EARS ONLY (NO HARDWARE).

METRIC



| | | | | |
|-------------------------------------------------------------------------------------------------------------------------------------|-------------------------|---------------------------------------------|--------------------|--|
| DO NOT SCALE PRINT. UNLESS SPECIFIED DIMENSIONS IN INCHES TOLERANCES ON: 2 PLC DEC ± - 3 PLC DEC ± 0.013 [.005] ANGLES ± - | | DR 05/03/90 R.K. SEIFRIED | PART NO | |
| MATERIAL - | CHK <i>Ruhli</i> 126-90 | AMP INCORPORATED Harrisburg, Pa. 17105 | | |
| FINISH - | APPD - | NAME HDI, 3 & 4 ROW, MOUNTING EAR KIT | | |
| | APPD - | SIZE B | CAGE CODE 00779 | |
| | PRODUCT SPEC - | DRAWING NO 533050 | | |
| | APPLICATION SPEC - | SCALE 4:1 | SHEET 1 OF 1 | |
| | WEIGHT - | | | |

AMP 1470-15 REV 6-89

39 MAY 1990 15-05-05 5616

CUSTOMER DRAWING