

# Mini-Com® TX6™ PLUS Corrosive Resistant UTP Jack Modules

## specifications

Category 6/Class E, 8-position, UTP jack module shall terminate 4-pair, 22 – 26 AWG, 100 ohm unshielded twisted pair cable and shall not require use of a punchdown tool. Polymer based gel shall protect electrical contacts and internal components by reducing the ingress of moisture and other corrosive elements such as salt, providing improved long term performance. UTP jack modules shall use a forward motion termination method to optimize performance by maintaining cable pair geometry while eliminating conductor untwist. The termination cap shall be color-coded white to designate Category 6 performance and shall include a universal label coded for T568A and T568B wiring schemes.



## technical information

|  |   |
|--|---|
| <b>Category 6/Class E channel performance:</b> | Exceeds channel requirements of ANSI/TIA-568-C.2 Category 6 and ISO 11801 Class E standards at swept frequencies 1 to 250 MHz                                   |
| <b>FCC and ANSI compliance:</b>                | Meets all applicable ANSI/TIA-968-A requirements; contacts plated with 50 microinches of gold for superior performance  |
| <b>IEC compliance:</b>                         | Meets IEC 60603-7   |
| <b>PoE compliance:</b>                         | Meets requirements of IEEE 802.3af and IEEE 802.3at for PoE applications  |
| <b>UL rated:</b>                               | UL 1863 approved  |
| <b>Conductor termination range:</b>            | Wire cap compatible with 22 – 26 AWG solid or stranded cable with conductor insulation diameters of 0.060 in. max and overall cable O.D. 0.200 in. to 0.330 in. |
| <b>RoHS compliance status:</b>                 | Compliant   |

## key features and benefits

|  |  |
|--|--|
| <b>Polymer based gel</b>                     | Protects electrical contacts and internal components by reducing the ingress of moisture and other corrosive elements such as salt, providing improved long term performance; operation life 75+ insertions                          |
| <b>High temperature resistant material</b>   | Enables operations in environments up to 70°C; ideal for use in warm temperature environments or network hot spots   |
| <b>100% performance tested</b>               | Confidence that each jack module will deliver the critical electrical performance requirements   |
| <b>Utilizes enhanced Giga-TX™ Technology</b> | Optimizes performance by eliminating conductor untwist and reduces installation time and expense   |
| <b>Improved termination cap</b>              | Conductor retention slots simplify jack module termination   |
| <b>Modular</b>                               | UTP jack modules snap in and out of all Mini-Com® Faceplates, Modular Patch Panels and Surface Mount Boxes for easy moves, adds and changes  |
| <b>True strain relief</b>                    | Controls cable bend radius for long-term installed performance   |
| <b>Individually serialized</b>               | Marked with quality control number for future traceability   |
| <b>RJ45 interface</b>                        | Industry standard interface provides a quick and easy plug and play connection to RJ45 patch cords; backwards compatible   |
| <b>Identification</b>                        | Can be clearly identified with optional labels and icons for port identification   |
| <b>Termination tools (optional)</b>          | EGJT termination tool ensures conductors are fully terminated by utilizing a smooth forward motion without impact on critical internal components for maximum reliability; TGJT termination tool ideal for high volume installations |
| <b>Block out device (optional)</b>           | Provides a simple and secure method to control access to data ports while not in use   |

## applications

Mini-Com® TX6™ PLUS Corrosive Resistant UTP Jack Modules are a component of the TX6™ PLUS UTP Copper Cabling System. This end-to-end system provides Gigabit Ethernet performance with usable bandwidth beyond 250 MHz. With performance to the ANSI/TIA-568-C.2 Category 6 and ISO 11801 Class E Edition 2.1 standards, this system will support the following applications:

- Ethernet 10BASE-T, 100BASE-T (Fast Ethernet), 1000BASE-T (Gigabit Ethernet)
- 155 Mb/s ATM, 622 Mb/s ATM, 1.2 Gb/s ATM
- Token Ring 4/16
- Digital video and broadband/baseband analog video
- Voice over Internet Protocol (VoIP)

### TX6™ PLUS UTP Copper Cabling System

#### Mini-Com® TX6™ PLUS Corrosive Resistant UTP Jack Module

**Jack module:** CJE688TGIW\*

#### TX6500™ UTP Copper Cable

**Plenum:** PUP6504\*\*  
**Riser:** PUR6504\*\*

#### TX6000™ UTP Copper Cable

**Plenum:** PUP6004\*\*  
**Riser:** PUR6004\*\*  
**LSZH:** PUL6004\*\*  
**CM:** PUC6004\*\*\*

#### TX6™ PLUS UTP Patch Cords

**CM (Foot lengths):** UTPSP^Y  
**CM (Meter lengths):** UTPSP^MMY  
**LSZH (Meter lengths):** UTPSPL^MMY

#### Mini-Com® Angled Modular Patch Panels

**24-port, 1 RU:** CPPLA24WBLY  
**48-port, 2 RU:** CPPLA48WBLY

#### Mini-Com® Flat Modular Patch Panels

**24-port, 1 RU:** CPPL24WBLY  
**48-port, 2 RU:** CPPL48WBLY

For additional modular and punchdown patch panels, visit [www.panduit.com](http://www.panduit.com).

#### GP6™ PLUS 110 Punchdown System

Visit [www.panduit.com](http://www.panduit.com) for complete system information.

#### Tools and Accessories

**Jack module termination tools:** EGJT or TGJT  
**Wire snipping tool:** CWST  
**Wire stripping tool:** CJUST  
**Clear dust cap:** MDC-C  
**Block out device:** PSL-DCJB-^^^  
**Phone icons:** CIPIW-C‡  
**Data icons:** CIDIW-C‡

\*To designate color other than IW (Off White), replace IW suffix with WH (White), BL (Black), RD (Red), or BU (Blue).

\*\*To designate color, add suffix BU (Blue) or WH (White). For additional cable colors, contact customer service.

^For lengths 1 to 20 feet (one foot increments) and 25, 30, 35, 40 feet, change the length designation in the part number to the desired length. For standard cable colors other than Off White, add suffix BL (Black), BU (Blue), RD (Red), YL (Yellow), GR (Green), OR (Orange), or VL (Violet). For example, the part number for a blue 15-foot patch cord is UTPSP15MBUY.

^^For lengths 1 to 10 meters (one meter increments) and 2.5, 15, 20, 25, 30, 35, 40 meters, change the length designation in the part number to the desired length. For standard cable colors other than Off White, add suffix BL (Black), BU (Blue), RD (Red), YL (Yellow), GR (Green), OR (Orange), or VL (Violet). For example, the part number for a blue 15-meter patch cord is UTPSP15MBUY.

^^^To designate color other than Red, add suffix BL (Black), BU (Blue), YL (Yellow), GR (Green), OR (Orange), IW (Off White), or IG (International Gray) at the end of the part number. 10/package.

‡To designate color other than IW (Off White), replace IW with EI (Electric Ivory), IG (International Gray), BL (Black), BU (Blue), RD (Red), YL (Yellow), GR (Green), OR (Orange), or VL (Violet) in the part number. 100/package.

Contact customer service for bulk packaged and/or keyed jack modules and patch cords.

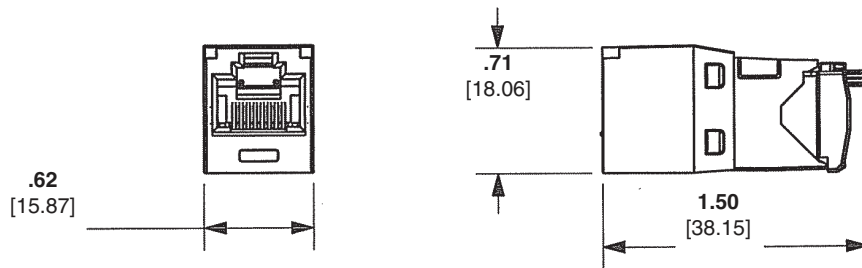
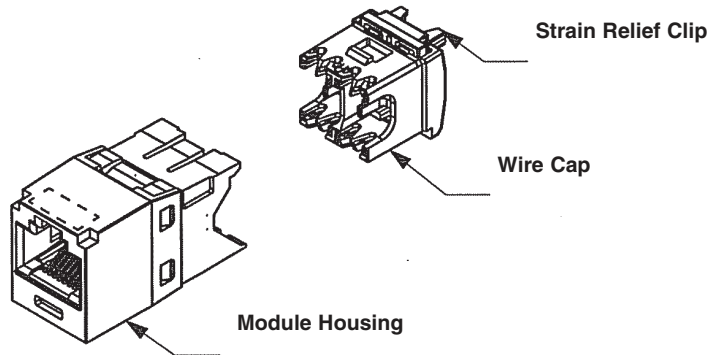
# Mini-Com® TX6™ PLUS Corrosive Resistant UTP Jack Modules

## test results

| Mechanical Test           | Test Method | Measurement                            | Typical Test Results |
|---------------------------|-------------|--|----------------------|
| <b>Normal Force</b>       | –           | Load (grams)                           | > 100                |
| <b>Vibration</b>          | IEC 512-6d  | Circuit Resistance (mOhms)             | < 40                 |
| <b>Shock</b>              | IEC 512-6c  | Contact Disturbance (microsecond)      | < 5                  |
| <b>Durability</b>         | IEC 512-9a  | Circuit Resistance (mOhms)             | < 40                 |
| <b>Mating/Unmating</b>    | IEC 512-13b | Mating Force (N)<br>Unmating Force (N) | < 20<br>< 20         |
| <b>Termination Cycles</b> | IEC 352     | Number of Cycles                       | > 20                 |

| Electrical Test                     | Test Method | Measurement        | Typical Test Results |
|-------------------------------------|-------------|--------------------|----------------------|
| <b>Low Level Circuit Resistance</b> | IEC 512-2a  | Resistance (mOhms) | < 20                 |
| <b>Dielectric Withstand Voltage</b> | IEC 512-4a  | 1000 V, 1 minute   | Passed               |
| <b>Insulation Resistance</b>        | IEC 512-3a  | Resistance (MOhms) | > 500                |

| Environmental                      | Test Method                | Measurement                | Typical Test Results |
|------------------------------------|----------------------------|----------------------------|----------------------|
| <b>Temperature Life</b>            | IEC 512-9b                 | Circuit Resistance (mOhms) | < 40                 |
| <b>Humidity</b>                    | IEC 512-11c                | Circuit Resistance (mOhms) | < 40                 |
| <b>Thermal Shock</b>               | IEC 512-11d                | Circuit Resistance (mOhms) | < 40                 |
| <b>Climatic Sequence</b>           | IEC 512-11a                | Circuit Resistance (mOhms) | < 40                 |
| <b>Flowing Mixed Gas Corrosion</b> | IEC 512-11g                | Circuit Resistance (mOhms) | < 40                 |
| <b>Salt Fog Test</b>               | TR-NWT-001334<br>Test 5.11 | Circuit Resistance (mOhms) | >10                  |



Dimensions are in inches. [Dimensions in brackets are metric].

### WORLDWIDE SUBSIDIARIES AND SALES OFFICES

PANDUIT CANADA  
Markham, Ontario  
cs-cdn@panduit.com  
Phone: 800.777.3300

PANDUIT EUROPE LTD.  
London, UK  
cs-emea@panduit.com  
Phone: 44.20.8601.7200

PANDUIT SINGAPORE PTE. LTD.  
Republic of Singapore  
cs-ap@panduit.com  
Phone: 65.6305.7575

PANDUIT JAPAN  
Tokyo, Japan  
cs-japan@panduit.com  
Phone: 81.3.6863.6000

PANDUIT LATIN AMERICA  
Guadalajara, Mexico  
cs-la@panduit.com  
Phone: 52.33.3777.6000

PANDUIT AUSTRALIA PTY. LTD.  
Victoria, Australia  
cs-aus@panduit.com  
Phone: 61.3.9794.9020

For a copy of Panduit product warranties, log on to [www.panduit.com/warranty](http://www.panduit.com/warranty)

For more information

Visit us at [www.panduit.com](http://www.panduit.com)

Contact Customer Service by email: [cs@panduit.com](mailto:cs@panduit.com)  
or by phone: 800-777-3300 and reference COSP175

**PANDUIT®**

©2011 Panduit Corp.  
ALL RIGHTS RESERVED.

WW-COSP175

5/2011