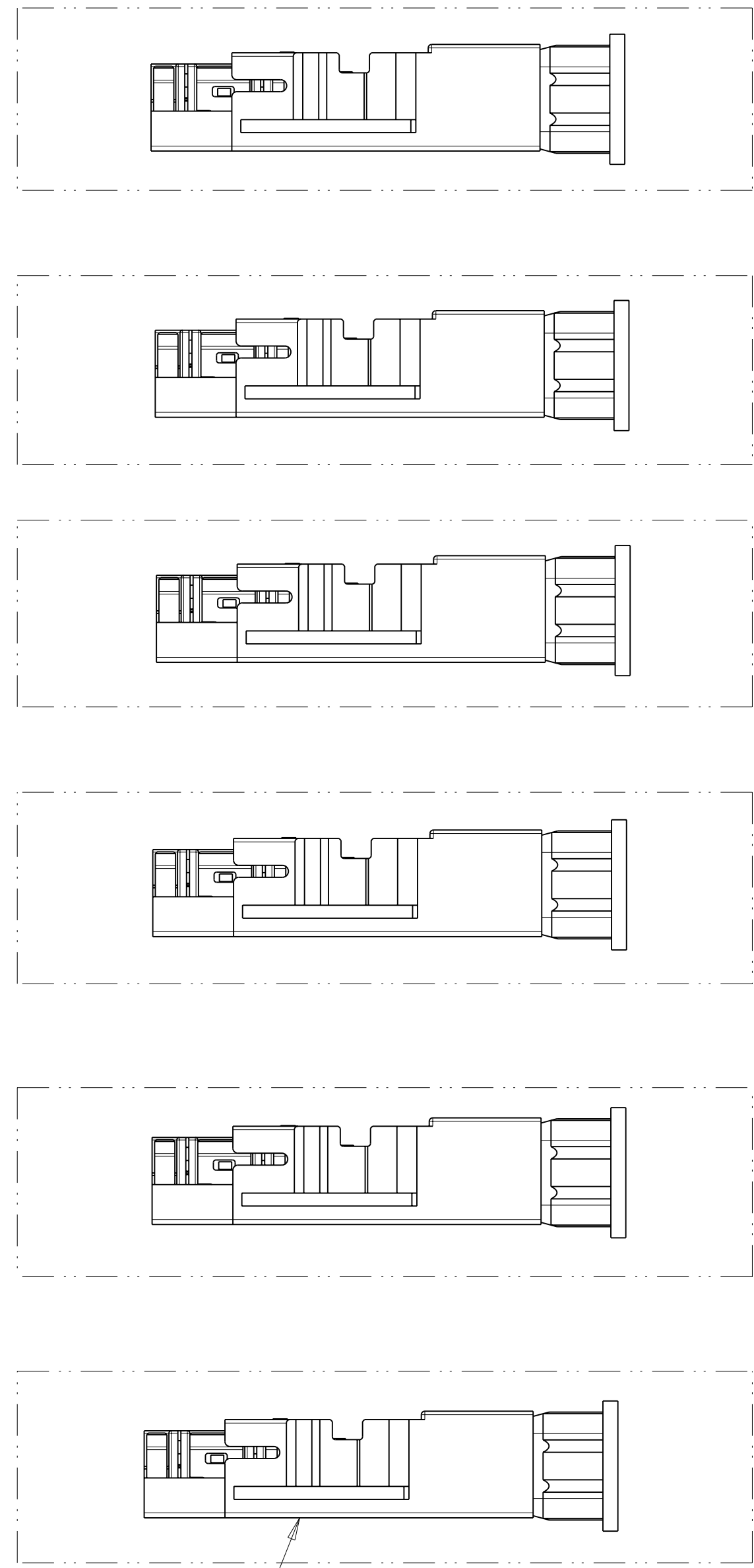
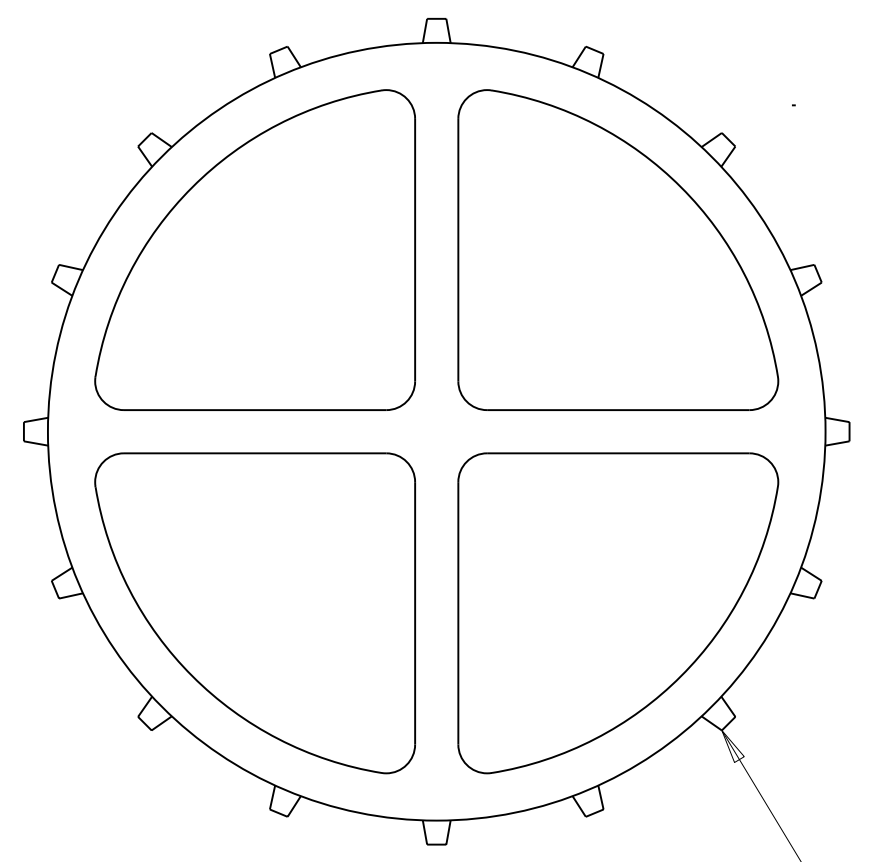


THIS DRAWING IS UNPUBLISHED. RELEASED FOR PUBLICATION .19
 BY AMP INCORPORATED. ALL RIGHTS RESERVED.

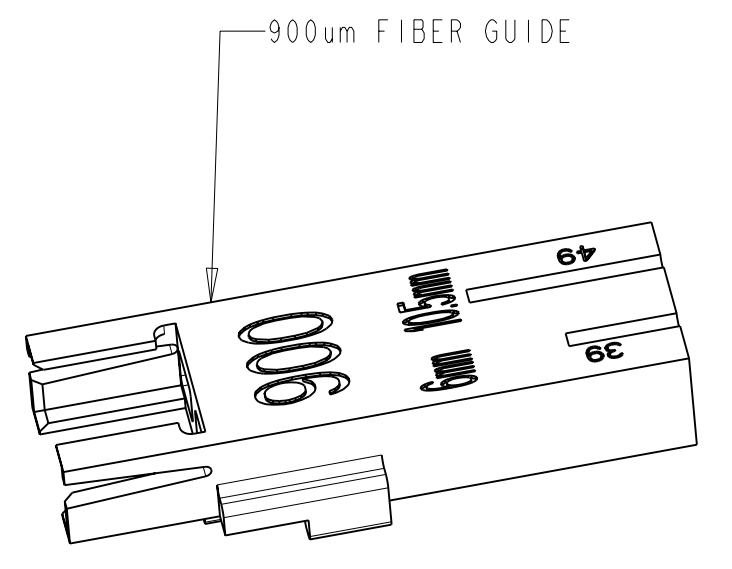
LOC	DIST	REVISIONS			
P	LTR	DESCRIPTION	DATE	DWN	APVD
CE	00	A	REV PER ECR-06-003731	16FEB2006	BB DK



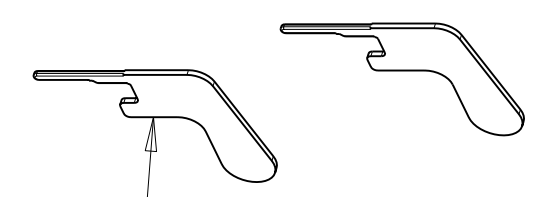
MT-RJ JACK
MODULE ASSEMBLY



ICON WHEEL



900um FIBER GUIDE



MT-RJ ACTUATION KEY

DESCRIPTION	PART NUMBER
50/125 XG MT-RJ MODULE KIT, 6 PACK	6588880-3
62.5/125 MT-RJ MODULE KIT, 6 PACK	6588880-2
50/125 MT-RJ MODULE KIT, 6 PACK	6588880-1

<small>THIS DRAWING IS A CONTROLLED DOCUMENT FOR AMP INCORPORATED. IT IS SUBJECT TO CHANGE AND THE CONTROLLING ENGINEERING ORGANIZATION SHOULD BE CONTACTED FOR THE LATEST REVISION.</small>		DWN B. BRIGGS 01NOV2005 CHR D. KIRSCH 01NOV2005 APVD S. BUCHTER 01NOV2005	AMP AMP Incorporated Harrisburg, PA 17105-3608
DIMENSIONS: mm 	TOLERANCES UNLESS OTHERWISE SPECIFIED: 0 PLC ± 1 PLC ± 2 PLC ± 3 PLC ± 4 PLC ± ANGLES ± FINISH -	NAME MT-RJ 39mm MODULE KIT, 6 PACK PRODUCT SPEC - APPLICATION SPEC - WEIGHT -	SIZE A2 CAGE CODE 00779 DRAWING NO C-6588880
MATERIAL -		CUSTOMER DRAWING	
		SCALE NTS	SHEET 1 OF 1 REV A