

# PUSH-BUTTON PENDANT PRODUCTS



**WOODHEAD® PUSH-BUTTON PENDANT PRODUCTS ARE ERGONOMICALLY DESIGNED HAND-HELD CONTROL BOXES, AVAILABLE IN A WIDE RANGE OF INDUSTRIAL-GRADE PENDANTS AND ENCLOSURES THAT FEATURE COMPACT WATERTITE® NYLON OR DURABLE NEØTEX® RUBBER CONSTRUCTION**

Watertite pendant stations are rugged enough to withstand the most hostile industrial environments, yet ergonomically designed to fit an operator's hand. Super-Safeway® pushbutton pendant stations feature NEØTEX rubber construction to protect buttons from industrial elements. Weather-resistant pushbutton covers transform your F.S./F.D. box into a pendant station. Constructed of NEØTEX rubber, the cover includes integral push buttons that can be wired normally-open or normally-closed.

## FEATURES AND BENEFITS

|  |   |
|--|---|
| Ergonomic design                                       | Increased user comfort and satisfaction                                 |
| Available in Watertite and Super-Safeway constructions | Suitable for a wide range of applications                               |
| NEØTEX rubber construction                             | Optimum resistance to the effects of heat, cold, abrasion and chemicals |

## APPLICATIONS

- Automated assembly equipment
- Automatic doors
- Automation controllers
- Automation equipment
- Automotive plants
- Workstations

# Pushbuttons Watertite® Pendant Station



## Features and Benefits

- Lightweight, polycarbonate pendant enclosure is double insulated, UV stabilized and chemically resistant to provide long life
- Ergonomic design fits easily in the palm of your hand for greater comfort and reduced fatigue
- Single and two-speed button pairs have mechanical interlocks for improved safety
- The common circuit is pre-wired to save installation time
- An elastic, chemically resistant gasket ensures a tight seal between front and back
- MAX-LOC® strain relief included as standard to provide maximum cord pull-out resistance
- Legend sheet included

## Reference Information

UL File No.: E70531



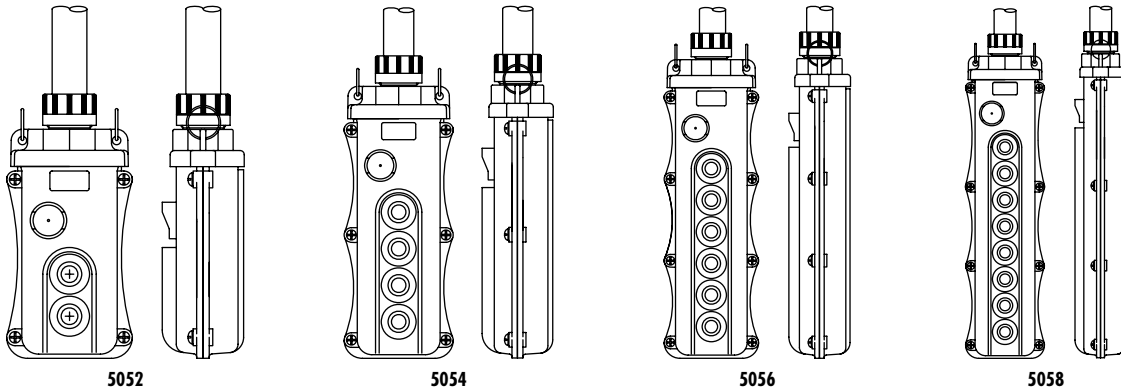
## Physical

Pendant Housing: Polycarbonate  
Switches: 3A, 125/250V  
Single and Two-Speed Switch Pairs: Mechanically interlocked  
Cover Face Screws: Stainless Steel  
Gasket and O-Ring Seal: Rubber  
Cord Connection; MAX-LOC nylon strain relief with rubber grommet  
Cord Grip Body Size: F3 3/4"  
Cord Diameter: 9.53 to 20.63mm (.375 to .812")

## Environmental

Rating: Wet industrial duty  
NEMA Enclosure Rating: NEMA 4X, IP56  
Temperature Rating: -10 to 150°F

Test/Control



| Number of Buttons | Number of Speeds | M = Momentary;<br>N = Maintained | Woodhead No.* | Order No.   |
|-------------------|------------------|----------------------------------|---------------|-------------|
| 2                 | 1                |                                  | 5052-1        | 130126-0243 |
| 2                 | N/A              | M                                | 5052-M        | 130126-0246 |
| 2                 | N/A              | N                                | 5052-N        | 130126-0247 |
| 4                 | 1                |                                  | 5054-1        | 130126-0248 |
| 4                 | 1                | M                                | 5054-1M       | 130126-0249 |
| 4                 | 1                | N                                | 5054-1N       | 130126-0250 |
| 4                 | 2                |                                  | 5054-2        | 130126-0251 |
| 6                 | 1                |                                  | 5056-1        | 130126-0256 |
| 6                 | 1                | M                                | 5056-1M       | 130126-0257 |
| 6                 | 1                | N                                | 5056-1N       | 130126-0258 |
| 6                 | 2                | M                                | 5056-2M       | 130126-0260 |
| 8                 | 1                |                                  | 5058-1        | 130126-0262 |
| 8                 | 1                | M                                | 5058-1M       | 130126-0263 |
| 8                 | 1                | N                                | 5058-1N       | 130126-0264 |
| 8                 | 2                | M                                | 5058-2M       | 130126-0266 |
| 8                 | 3                | M                                | 5058-3M       | 130126-0268 |

\* Momentary and Maintained refer to On/Off buttons only in first and second positions. Without an "M" or "N," no On/Off is present.

## Accessory/Replacement Parts†

| Description  | Woodhead No. | Order No.   |
|--|--------------|-------------|
| 2-position selector switch†                          | 505SS-2      | 130126-0025 |
| 3-position selector switch—NO In Center†             | 505SS-3NO    | 130126-0027 |
| 2-button single speed switch—1 NO                    | 505SW-1      | 130126-0028 |
| 2-button single speed switch—2 NO                    | 505SW-12NO   | 130126-0029 |
| 2-button single speed switch—NO/NC                   | 505SW-1NONC  | 130126-0030 |
| 2-button 2-speed switch—1 NO                         | 505SW-2      | 130126-0031 |
| 2-button switch Momentary On/Off—NO/NC               | 505SW-M      | 130126-0033 |
| 2-button switch Maintained On/Off—NO/NC              | 505SW-N      | 130126-0034 |
| Pilot light, green, shroud mount                     | 505PL-GS     | 130126-0021 |
| Pilot light, red, shroud mount                       | 505PL-RS     | 130126-0022 |
| Pilot light, white, shroud mount                     | 505PL-YS     | 130126-0023 |
| Red mushroom On/Off switch†                          | 505B-RM      | 130126-0012 |
| Button cover, Black high ambient chemical resistance | 505BC-C      | 130126-0008 |
| Button cover legend sheet                            | 505BC-L      | 130126-0009 |

† See Strain Relief Grips for wiring device/enclosure boxes for additional support

† Requires larger hole in enclosure if done as a retrofit

## Dimensions

| Length with MAX-LOC | Width      | Depth      | Woodhead Series No. |
|---------------------|------------|------------|---------------------|
| 18.8cm 7.4"         | 8.9cm 3.5" | 5.8cm 2.3" | 5052                |
| 24.9cm 9.8"         |            |            | 5054                |
| 30.7cm 12.1"        |            |            | 5056                |
| 36.8cm 14.5"        |            |            | 5058                |

# Pushbuttons Watertite® Pendant Station

Test/Control

F



### Features and Benefits

- Lightweight, polycarbonate pendant enclosure is double insulated, UV stabilized and chemically resistant to provide long life
- Ergonomic design fits easily in the palm of your hand for greater comfort and reduced fatigue
- Single speed, double-throw, momentary contacts can be wired either normally-open or normally-closed for complete application flexibility
- An elastic, chemically resistant gasket ensures a tight seal between front and back
- MAX-LOC® strain relief included as standard to provide maximum cord pull-out resistance

### Reference Information

UL File No.: See switch rating  
CSA File No.: LR32400



### Physical

Pendant Housing: Nylon  
Switches: Single-speed, double throw, momentary type, fine sliver, SPDT-DB  
Cover Face Screws: Stainless Steel  
Pushbutton Diaphragm Seal: Rubber  
Cover Gasket Seal: Neoprene  
Cord Connection: MAX-LOC nylon strain relief with rubber grommet  
Nameplate Set: 35 self-adhesive, pre-printed labels on one acetate sheet  
Cord Grip Body Size: F2 1/2"  
Cord Diameter: 7.92 to 15.88mm (.312 to .625")

### Environmental

Rating: Wet industrial duty  
NEMA Enclosure Rating: NEMA IP67

| Number of Buttons | Body Color | Woodhead No. | Order No.   |
|-------------------|------------|--------------|-------------|
| 2                 | Yellow     | 4052         | 130126-0231 |
| 2                 | Black      | 4052BLK      | 130126-0232 |

### Switch Characteristics

| Dimensions                    | Contact Arrangement: Single speed SPDT-DB  |  |
|-------------------------------|--|--|
|                               | Continuous   | Control  |
| <p>Dimensions — Inch.(cm)</p> | 10A @ 125 to 250V AC*<br>1/2 HP @ 125V AC*<br>3/4 HP @ 250V AC*<br>1 HP @ 125V AC or 250V AC<br>10A 28V DC Inductive<br>15A 28V DC Resistive | 120VAC 60A Make 6A Break<br>240VAC 30A Make 3A Break<br>A-300 Contact rating Per U.L. Std. 508 |

\* UL listed and CSA certified

### Replacement Parts†

| Description                                    | Woodhead No. | Order No.   |
|--|--------------|-------------|
| Replacement switch—one speed, momentary        | 42-2190      | 130186-0318 |
| Rubber switch diaphragm                        | 00-5150      | 130180-0468 |
| Legend kit—labels, function pushbutton station | 31-5800      | 130228-0721 |

† See Strain Relief Grips for wiring device/enclosure boxes for additional support

# Pushbuttons Swinger Switch Mini-Change®



### Features and Benefits

- One-button, momentary contact switch provides quick and easy on/off actuation
- Durable weather-resistant rubber housing protects switch against harmful elements

### Reference Information

UL File No.: E70531  
CSA File No.: LR44136



### Electrical

Voltage: 120V AC/250V AC

### Physical

Housing: Nylon

| Throw  | Pole Position                 | Woodhead No. | Order No.   |
|--------|-------------------------------|--------------|-------------|
| Single | Normally open                 | 55501        | 130023-0001 |
| Single | Normally closed               | 55502        | 130023-0002 |
| Double | Normally open/Normally closed | 55503        | 130023-0003 |
| Single | Normally open                 | 55504        | 130023-0004 |

# Pushbuttons Super-Safeway™ Pendant Station



## Features and Benefits

- Unique, industry-leading, NEOTEX® Paracril OZO rubber pendant stations yield the best performance for abrasion, chemical exposure and temperature extremes
- Ergonomic design fits easily in the palm of your hand for greater comfort and reduced fatigue
- Housing to cover fitted with tongue and groove design for best sealing performance
- Pushbuttons are not exposed beyond enclosure face to prevent unwanted activation and button protection
- Single and two-speed buttons can be wired as an electrical interlock for improved safety
- An elastic, chemically resistant gasket ensures a tight seal between front and back
- MAX-LOC® strain relief included as standard to provide maximum cord pull-out resistance
- Built-in ground connection saves installation time
- Legend sheet included
- All buttons are momentary, except for the E-Stop which is maintained

## Reference Information

CSA certified switches: LR32400



## Physical

Pendant Cover and Housing: : NEOTEX Paracril OZO rubber  
Messenger Cable Bracket and Cover Screws: Steel Zinc-plated  
Gasket and O-Ring Seal: Neoprene  
Cord Connection; MAX-LOC nylon strain relief with rubber grommet  
Nameplate Set: 35 self-adhesive, pre-printed labels on one acetate sheet

## Environmental

Rating: 4022—Rain Tight  
4024, 4026, 4028—Testing pending

Test/Control



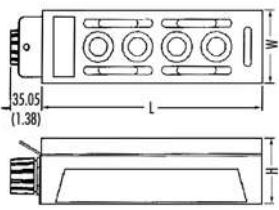
| Number of Buttons | Cord Grip Body Size* | Number of Speeds | Emergency Stop | Cord Diameter              | Woodhead No. | Order No.   |
|-------------------|----------------------|------------------|----------------|----------------------------|--------------|-------------|
| 2                 | F3 3/4"              | 1                |                | 12.70–17.45mm (.500–.687") | 4022         | 130126-0199 |
| 2                 | F3 3/4"              | 1                | Yes            | 12.70–17.45mm (.500–.687") | 4022ES       | 130126-0204 |
| 2                 | F3 3/4"              | 2                |                | 12.70–17.45mm (.500–.687") | 4022-2       | 130126-0200 |
| 3                 | F3 3/4"              | 1                |                | 12.70–19.05mm (.500–.750") | 4023         | 130126-0207 |
| 3                 | F3 3/4"              | 1                | Yes            | 12.70–19.05mm (.500–.750") | 4023ES       | 130126-0209 |
| 3                 | F3 3/4"              | 2                |                | 12.70–19.05mm (.500–.750") | 4023-2       | 130126-0208 |
| 4                 | F3 3/4"              | 1                |                | 12.70–19.05mm (.500–.750") | 4024         | 130126-0212 |
| 4                 | F3 3/4"              | 1                | Yes            | 12.70–19.05mm (.500–.750") | 4024ES       | 130126-0214 |
| 4                 | F3 3/4"              | 2                |                | 12.70–19.05mm (.500–.750") | 4024-2       | 130126-0213 |
| 6                 | F3 3/4"              | 1                |                | 14.27–20.63mm (.562–.812") | 4026         | 130126-0218 |
| 6                 | F4 1"                | 1                | Yes            | 17.45–23.80mm (.687–.937") | 4026ES       | 130126-0222 |
| 6                 | F3 3/4"              | 2                |                | 14.27–20.63mm (.562–.812") | 4026-2       | 130126-0219 |
| 8                 | F4 1"                | 1                |                | 17.45–23.80mm (.687–.937") | 4028         | 130126-0036 |
| 8                 | F3 3/4"              | 1                | Yes            | 14.27–20.63mm (.562–.812") | 4028ES       | 130126-0226 |
| 8                 | F4 1"                | 2                |                | 17.45–23.80mm (.687–.937") | 4028-2       | 130126-0224 |

\* F3 nut is non-metallic. F4 nut is metallic.

## Switch Ratings

| Single Speed         | Two Speed            | Maintain              |
|----------------------|----------------------|-----------------------|
| 20A @ 125 to 250V AC | 10A @ 125 or 250V AC | 16A @ 125V AC         |
| 25A @ 24V DC         | 1/3 HP @ 125V        | 8A @ 250V AC          |
| 0.5A @ 250V DC       | 1/2 HP @ 250V        | 1 HP @ 125 or 250V AC |
| 1 HP @ 125V AC       |                      |                       |
| 2 HP @ 250V AC       |                      |                       |

## Dimensions

| Pendant Pushbutton Station  | Length          | Width         | Depth         | Woodhead No. | Order No.   |
|---|-----------------|---------------|---------------|--------------|-------------|
|  | 14.9cm (5.88")  | 7.6cm (3.00") | 6.7cm (2.66") | 4022         | 130126-0199 |
|   | 19.0cm (7.50")  | 7.6cm (3.00") | 6.7cm (2.66") | 4023         | 130126-0207 |
|   |                 |               |               | 4022ES       | 130126-0204 |
|   | 23.1cm (9.13")  | 7.6cm (3.00") | 6.7cm (2.66") | 4024         | 130126-0212 |
|   |                 |               |               | 4023ES       | 130126-0209 |
|   | 27.3cm (10.75") | 7.6cm (3.00") | 6.7cm (2.66") | 4026         | 130126-0218 |
|   |                 |               |               | 4024ES       | 130126-0214 |
|   | 40.0cm (15.75") | 7.6cm (3.00") | 6.7cm (2.66") | 4028         | 130126-0036 |
|   |                 |               |               | 4026ES       | 130126-0222 |
|   | 46.3cm (18.25") | 7.6cm (3.00") | 6.7cm (2.66") | 4028ES       | 130126-0226 |

## Replacement Gasket Kits

| Number of Buttons | Woodhead No. | Order No.   |
|-------------------|--------------|-------------|
| 2                 | 4022G        | 130126-0205 |
| 3                 | 4023G        | 130126-0210 |
| 4                 | 4024G        | 130126-0216 |
| 6                 | 4026G        | 130126-0223 |
| 8                 | 4028G        | 130126-0227 |

## Replacement Switches

| Description                        | Emergency Stop | Enclosure Rating | Number of Speeds | Woodhead No. | Order No.   |
|------------------------------------|----------------|------------------|------------------|--------------|-------------|
| Red mushroom on/off switch         | Yes            | NEMA 4X          |                  | 505B-RM      | 130126-0012 |
| 4020 replacement switch            |                |                  | 1                | 4020         | 130128-0100 |
| 4020-2 replacement switch, 2-speed |                |                  | 2                | 4020-2       | 130128-0101 |
| Legend Kit                         |                |                  |                  | 71-4220      | 130203-1295 |

## Replacement Covers

| Description            | Number of Buttons | Woodhead No. | Order No.   |
|------------------------|-------------------|--------------|-------------|
| Replacement cover 4022 | 2                 | 00-3063      | 130128-0079 |
| Replacement cover 4023 | 3                 | 00-3823      | 130128-0082 |
| Replacement cover 4024 | 4                 | 00-3073      | 130128-0080 |
| Replacement cover 4026 | 6                 | 00-3083      | 130128-0081 |
| Replacement cover 4028 | 8                 | 00-0463      | 130128-0078 |

# Pushbuttons Super-Safeway™ Pushbutton Covers for FS/FD Boxes

Test/Control



### Features and Benefits

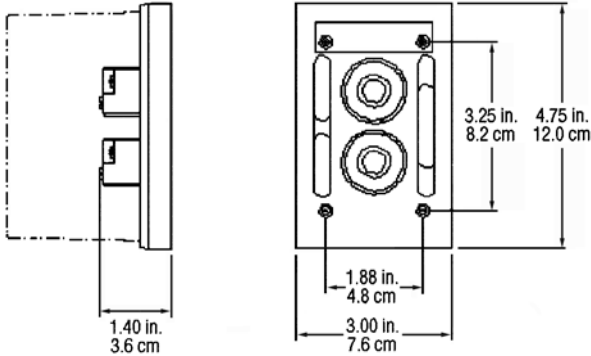
- Unique, industry-leading, NEoTEX® Paracril OZO rubber pendant covers yield the best performance for abrasion, chemical exposure and temperature extremes
- Switches can be wired as normally open or normally closed for flexibility of application
- The cover has integral pushbuttons which operate mechanically coupled pushbutton contact blocks for time-saving installation
- Switches function as single speed or two speed momentary contact operation for flexibility of application
- Single speed function can be wired as electrically interlocked for improved safety
- Switches mounted on molded-in steel mounting plate
- Legend sheet included

### Physical

Pendant Cover: NEoTEX Paracril OZO rubber  
Nameplate Set: 35 self-adhesive, pre-printed labels on one acetate sheet

### Environmental

Rating: Indoor damp location



### Switch Ratings

| Single Speed        | Two Speed           |
|---------------------|---------------------|
| 20A @ 125 to 480VAC | 10A @ 125 or 250VAC |
| 5A @ 600VAC         | 1/3 HP @ 125V       |
| 1 HP @ 125VAC       | 1/2 HP @ 250V       |
| 2 HP @ 250VAC       |                     |

### Covers for FS/FD Boxes\*

| Color  | Number of Speeds | Woodhead No. | Order No.   |
|--------|------------------|--------------|-------------|
| Yellow | 1                | 4032         | 130126-0228 |
| Yellow | 2                | 4032-2       | 130126-0229 |
| Black  | 1                | 4032BLK      | 130126-0230 |

\* For FS/FD boxes, see Power Distribution FS/FD Boxes and Coverplates

# Pushbuttons Super-Safeway™ Pendant Pushbutton Enclosures



### Features and Benefits

- Unique, industry-leading, NEōTEX® Paracril OZO rubber pendant enclosures yield the best performance for abrasion, chemical exposure and temperature extremes
- Accepts industry standard 30mm and 22mm pushbutton and pilot devices
- Protective ribs provide recess for pushbutton operators and pilot lights preventing unintended operation and device protection
- Metal suspension bracket allows for messenger cable to support pendant and provide longer operational life of the system
- MAX-LOC® strain relief included as standard to provide maximum cord pull-out resistance
- Internal ground strap common to all pilot devices and cord entry provides for safe electrical operation

### Reference Information

CSA File No.: LR32400



### Physical

Pendant Housing and Cover: NEōTEX Paracril OZO rubber  
Messenger Cable Bracket and Cover Screws: Steel Zinc-plated  
Cord Connection; MAX-LOC nylon Strain Relief with rubber grommet

Cover to Housing Screws: Stainless Steel  
Ground Strip: Brass

### Environmental

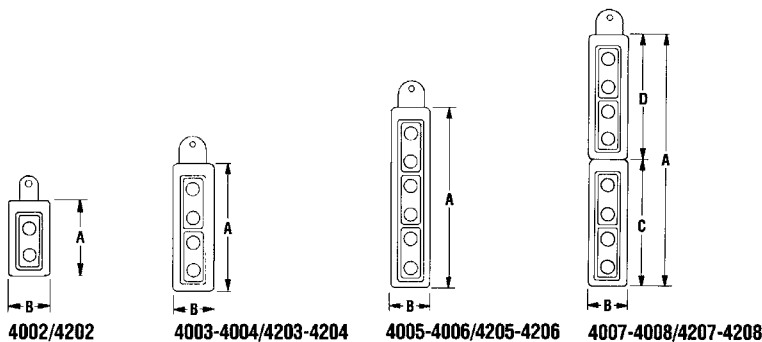
Rating: Industrial duty

| Super-Safeway Pushbutton Enclosure             | Opening Size | A               | B             | C               | D               | Woodhead No. | Order No.   |
|--|--------------|-----------------|---------------|-----------------|-----------------|--------------|-------------|
| Dimensional data for enclosure with 2 openings | 30mm         | 15.9cm (6.25")  | 8.9cm (3.50") |                 |                 | 4002         | 130126-0186 |
| Dimensional data for enclosure with 2 openings | 22mm         |                 |               |                 |                 | 4202         | 130126-0235 |
| Dimensional data for enclosure with 3 openings | 30mm         | 27.3cm (10.75") |               |                 |                 | 4003         | 130126-0187 |
| Dimensional data for enclosure with 3 openings | 22mm         |                 |               |                 |                 | 4203         | 130126-0236 |
| Dimensional data for enclosure with 4 openings | 30mm         |                 |               |                 |                 | 4004         | 130126-0188 |
| Dimensional data for enclosure with 4 openings | 22mm         |                 |               |                 |                 | 4204         | 130148-0072 |
| Dimensional data for enclosure with 5 openings | 30mm         | 38.7cm (15.25") |               | 4005            | 130126-0189     |              |             |
| Dimensional data for enclosure with 5 openings | 22mm         |                 |               | 4205            | 130148-0073     |              |             |
| Dimensional data for enclosure with 6 openings | 30mm         |                 |               | 4006            | 130126-0190     |              |             |
| Dimensional data for enclosure with 6 openings | 22mm         |                 |               | 4206            | 130126-0237     |              |             |
| Dimensional data for enclosure with 7 openings | 30mm         | 54.6cm (21.50") |               | 38.7cm (15.25") | 38.7cm (15.25") | 4007         | 130126-0192 |
| Dimensional data for enclosure with 7 openings | 22mm         |                 |               |                 |                 | 4207         | 130126-0238 |
| Dimensional data for enclosure with 8 openings | 30mm         |                 | 4008          |                 |                 | 130126-0193  |             |
| Dimensional data for enclosure with 8 openings | 22mm         |                 | 4208          |                 |                 | 130126-0239  |             |

### Dimensional Data for Enclosure Cross Section

| Cross Section | A             | B            | C             | D             | E             | F                     |
|---------------|---------------|--------------|---------------|---------------|---------------|-----------------------|
|               | 7.3cm (2.88") | 6.4cm (2.5") | 6.2cm (2.44") | 2.9cm (1.13") | 0.64cm (.25") | 0.48cm (.187") radius |

### Dimensional Data for Enclosure



| Super-Safeway Pushbutton Enclosure                  | A               | B             | C               | D               | Woodhead No.              |
|---|-----------------|---------------|-----------------|-----------------|---------------------------|
| Dimensional data for enclosure with 2 openings      | 15.9cm (6.25")  | 8.9cm (3.50") |                 |                 | 4002/4202                 |
| Dimensional data for enclosure with 3 or 4 openings | 27.3cm (10.75") | 8.9cm (3.50") |                 |                 | 4003 to 4004/4203 to 4204 |
| Dimensional data for enclosure with 5 or 6 openings | 38.7cm (15.25") | 8.9cm (3.50") |                 |                 | 4005 to 4006/4205 to 4206 |
| Dimensional data for enclosure with 7 or 8 openings | 54.6cm (21.50") | 8.9cm (3.50") | 27.3cm (10.75") | 27.3cm (10.75") | 4007 to 4008/4207 to 4208 |

# Pushbuttons Super-Safeway™ Pendant Pushbutton Enclosures

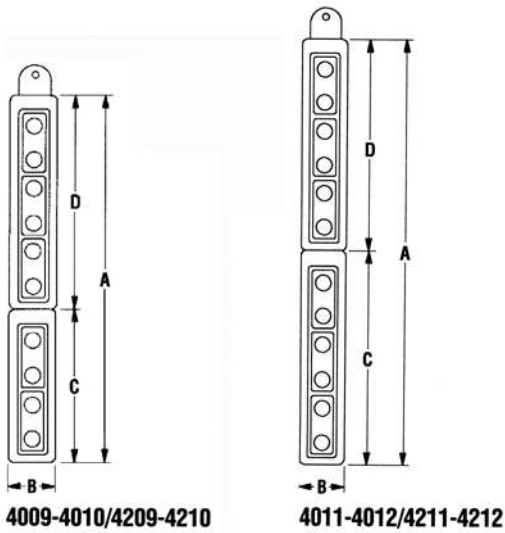
Test/Control

F



## Features and Benefits

### Dimensional Data for Enclosure



- Unique, industry-leading, NEōTEX® Paracril OZO rubber pendant enclosures yield the best performance for abrasion, chemical exposure and temperature extremes
- Accepts industry standard 30mm and 22mm pushbutton and pilot devices
- Protective ribs provide recess for pushbutton operators and pilot lights preventing unintended operation and device protection
- Metal suspension bracket allows for messenger cable to support pendant and provide longer operational life of the system
- MAX-LOC® strain relief included as standard to provide maximum cord pull-out resistance
- Internal ground strap common to all pilot devices and cord entry provides for safe electrical operation

### Reference Information

CSA File No.: LR32400



### Physical

Pendant Housing and Cover: NEōTEX Paracril OZO rubber  
Messenger Cable Bracket and Cover Screws: Steel Zinc-plated  
Cord Connection; MAX-LOC nylon Strain Relief with rubber grommet

Cover to Housing Screws: Stainless Steel

Ground Strip: Brass

### Environmental

Rating: Wet industrial duty

| Super-Safeway Pushbutton Enclosure              | Opening Size | A               | B             | C               | D               | Woodhead No. | Order No.   |
|---|--------------|-----------------|---------------|-----------------|-----------------|--------------|-------------|
| Dimensional data for enclosure with 9 openings  | 30mm         | 66.0cm (26.00") | 8.9cm (3.50") | 27.3cm (10.75") | 38.7cm (15.25") | 4009         | 130126-0195 |
| Dimensional data for enclosure with 9 openings  | 22mm         |                 |               |                 |                 | 4209         | 130126-0240 |
| Dimensional data for enclosure with 10 openings | 30mm         |                 |               | 4010            |                 | 130126-0196  |             |
| Dimensional data for enclosure with 10 openings | 22mm         |                 |               | 4210            |                 | 130126-0241  |             |
| Dimensional data for enclosure with 11 openings | 30mm         | 77.5cm (30.50") |               | 38.7cm (15.25") |                 | 4011         | 130126-0197 |
| Dimensional data for enclosure with 12 openings | 30mm         |                 |               |                 |                 | 4012         | 130126-0198 |
| Dimensional data for enclosure with 12 openings | 22mm         |                 |               |                 |                 | 4212         | 130126-0242 |

### Dimensional Data for Enclosure Cross Section

| Cross Section | A             | B   | C             | D              | E             | F                              |
|---------------|---------------|---|---------------|----------------|---------------|--------------------------------|
|               | 5.7cm (2.25") | 3.1cm (1.22")<br>for 30mm models,<br>2.2cm (.866") for<br>22mm models | 2.9cm (1.13") | 10.8cm (4.25") | 4.4cm (1.75") | .32cm (.125")<br>inside radius |