

MODEL NUMBER	PWD-5514-02-SMA-79
REV.	A1

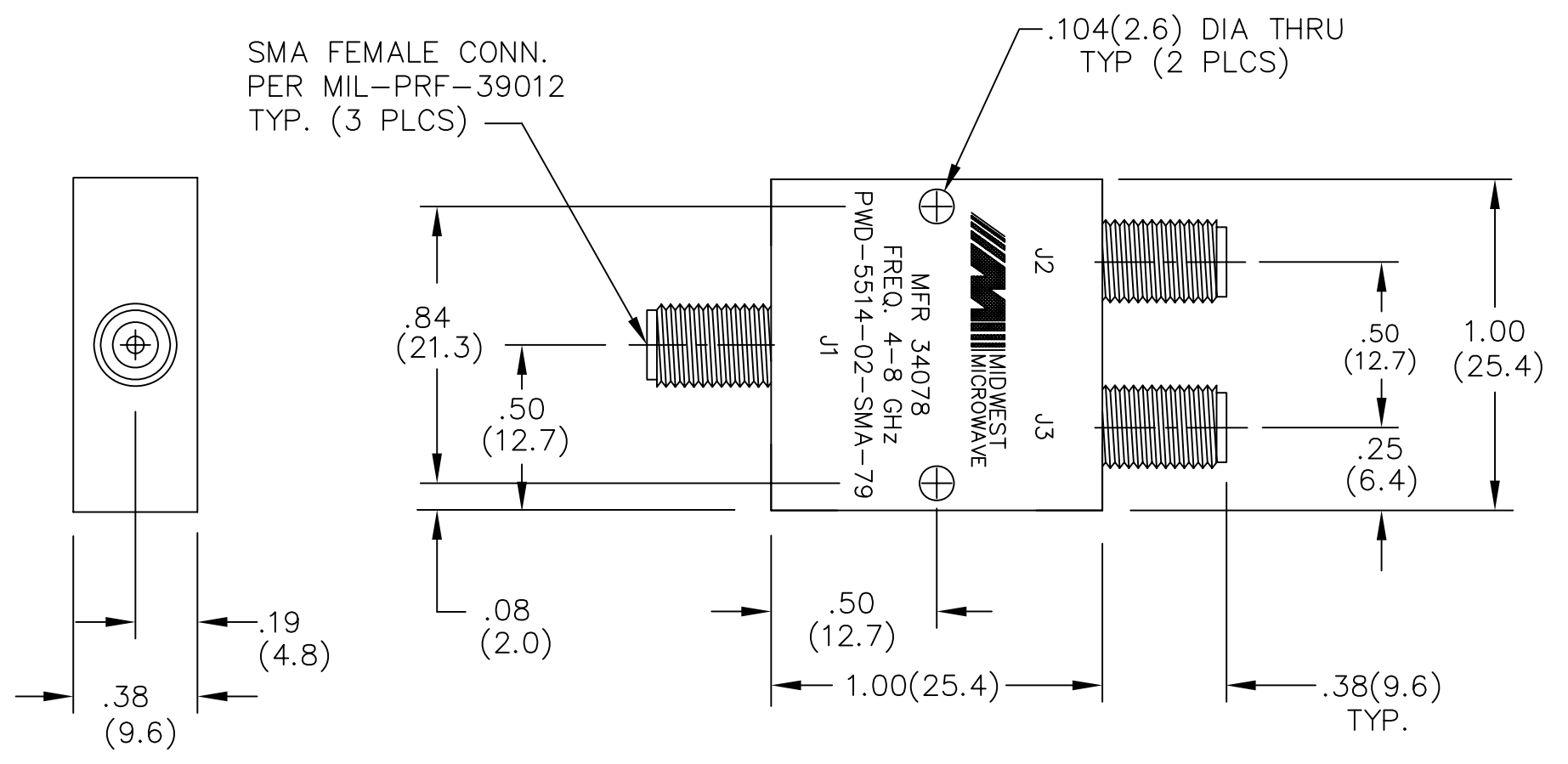
- NOTES:
- ELECTRICAL SPECIFICATIONS:
 - FREQUENCY RANGE: 4.0 to 8.0 GHz
 - INSERTION LOSS: .50dB MAX.
 - ISOLATION: 20dB MIN
 - VSWR (MAX): 1.35:1
 - OUTPUT UNBALANCE:
 - AMPLITUDE: 0.20dB MAX.
 - PHASE: 3° MAX.
 - MAX. INPUT POWER: 30 WATTS AT +25°C W/OUTPUT LOAD VSWR < 2.0:1
 - OPERATING TEMP. RANGE: -65°C to +125°C

- FINISH
 - GREY OVER MIL-E-15090 TYPE II, CLASS 2
OVER MIL-C-5541 CLASS 3A
MEETS MIL-F-14072
MEETS MIL-E-5400

3.0 MARKING: MARK UNIT AS SHOWN.
SLK-09421-82-05

4.0 DIMENSIONS IN PARENTHESIS ARE
IN MILLIMETERS.

NO DATA REQUIRED



REV.	DESCRIPTION	DATE
-	RELEASED	9/12/92
A	ECN 14007	10/12/94
A1	ADDED TITLEBLOCK	7/18/05

UNLESS OTHERWISE NOTED DIMENSIONS ARE IN INCHES AND TOLERANCES ARE: 3 PLACE DECIMALS ±.005 2 PLACE DECIMALS ±.02 FRACTIONS ±1/64 PARALLELITY: T.I.R. _____ FLATNESS: T.I.R. _____ CONCENTRICITY: T.I.R. _____ ANGLES AND PERPENDICULARITY: ±1'	FSCM NO. 34078	MIDWEST MICROWAVE	
	NOTICE: The information contained in this drawing is proprietary and must not be used without the permission of Midwest Microwave	TITLE POWER DIVIDER	
	DRAWN/DATE A.BEATTY 9/4/92	ENG./DATE P. GOODMAN 9/12/92	DRAWING NUMBER PWD-5514-02-SMA-79
	CHECKED/DATE M.HOLLMAN 9/9/92	APPROVED/DATE	SCALE: 2=1 SHEET 1 of 1