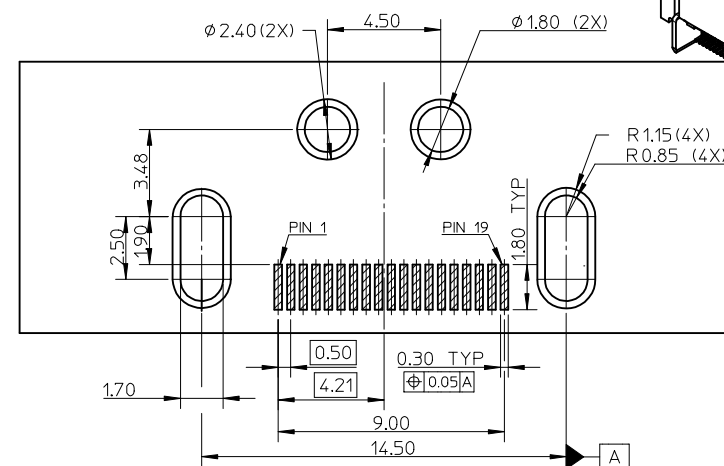
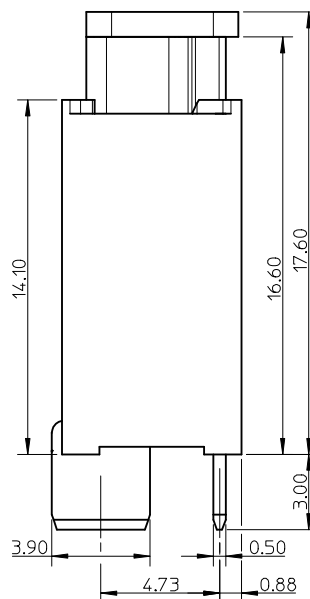
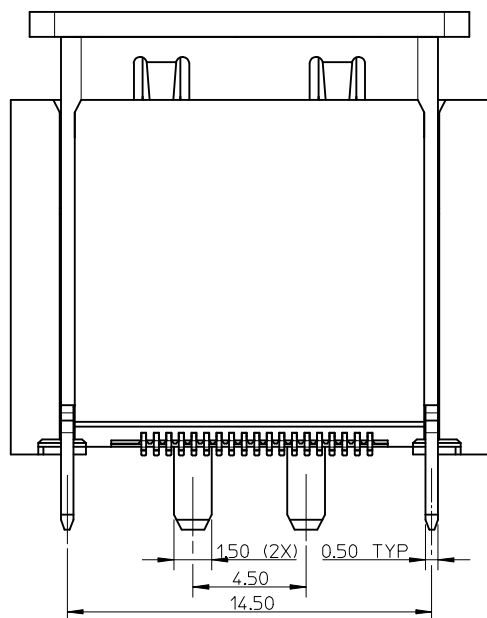
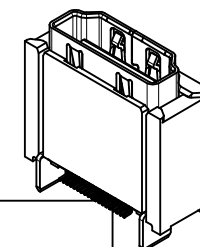
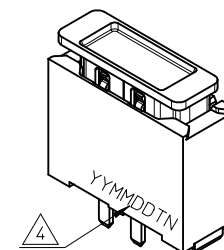


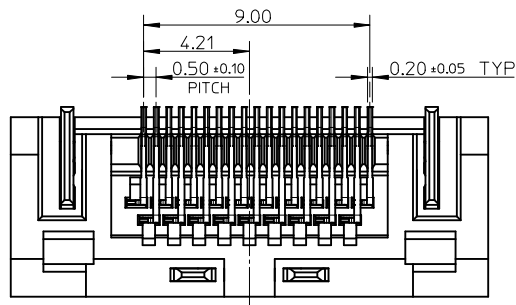
NOTES:

1. MATERIAL:
HOUSING/COVER: HIGH TEMPERATURE THERMAL PLASTIC. COLOR: BLACK;
SHELL: COPPER ALLOY;
TERMINAL: COPPER ALLOY;
2. PLATING:
TERMINAL:
CONTACT AREA: SEE TABLE;
SOLDER AREA: 1 MICROMETER MIN. TIN-BISMUTH ALLOY PLATED;
UNDER PLATE: 1.27 MICROMETER MIN. NICKEL;
SHELL: 3 MICROMETER MIN. MATTE TIN PLATING OVERALL;
3. COPLANARITY: 0.10mm MAX;
4. DATE CODE: YY: YEAR; MM: MONTH; DD: DAY; T: TIME, A=DAYTIME, B=NIGHT; N: LINE, 1=LINE 1, 2=LINE 2....;
5. PRODUCT SPECIFICATION REFER TO PS-47632-001;
6. PACKAGE SPECIFICATION REFER TO PK-47632-003;
7. PRODUCT COMPLIANT TO RoHS DIRECTIVE 2011/65/EC AND ELV DIRECTIVE 2000/53/EC.

476323200	0.76um MIN. GOLD PLATING
476323100	0.38um MIN. GOLD PLATING
476323000	GOLD FLASH
P/N	CONTACT AREA PLATING



RECOMMENDED PCB LAYOUT (CONNECTOR SIDE)
THICKNESS=1.60mm, GENERAL TOLERANCE: ±0.05



ADD THE DIP PAD DIM. EC NO: S2015-0489 DRW: HGTG002 2014/11/13 CHKD: IZENG 2015/05/27 APPR: KHLIM 2015/05/27	QUALITY SYMBOLS $\nabla F = 0$ $\nabla F = 0$ $\nabla F = 0$	GENERAL TOLERANCES (UNLESS SPECIFIED)		DIMENSION STYLE MM ONLY		SCALE NTS	DESIGN UNITS METRIC	THIRD ANGLE PROJECTION
			mm	INCH	DRAWN BY	DATE	TITLE	
		4 PLACES	± ---	± ---	CWTANG	2009/01/05	HDMI RECEPTACLE VERTICAL SMT TYPE WITHOUT FLANGE 	
		3 PLACES	± ---	± ---	CHECKED BY	DATE		
2 PLACES	± 0.20	± ---	XJSONG	2009/01/05				
1 PLACE	± 0.30	± ---	APPROVED BY	DATE				
0 PLACE	± ---	± ---	XJSONG	2010/01/26				
		ANGULAR ± 1°		MATERIAL NO. 47632-3000		DOCUMENT NO. SD-47632-300		SHEET NO. 1 OF 1
DRAFT WHERE APPLICABLE MUST REMAIN WITHIN DIMENSIONS				SIZE A3		THIS DRAWING CONTAINS INFORMATION THAT IS PROPRIETARY TO MOLEX INCORPORATED AND SHOULD NOT BE USED WITHOUT WRITTEN PERMISSION		