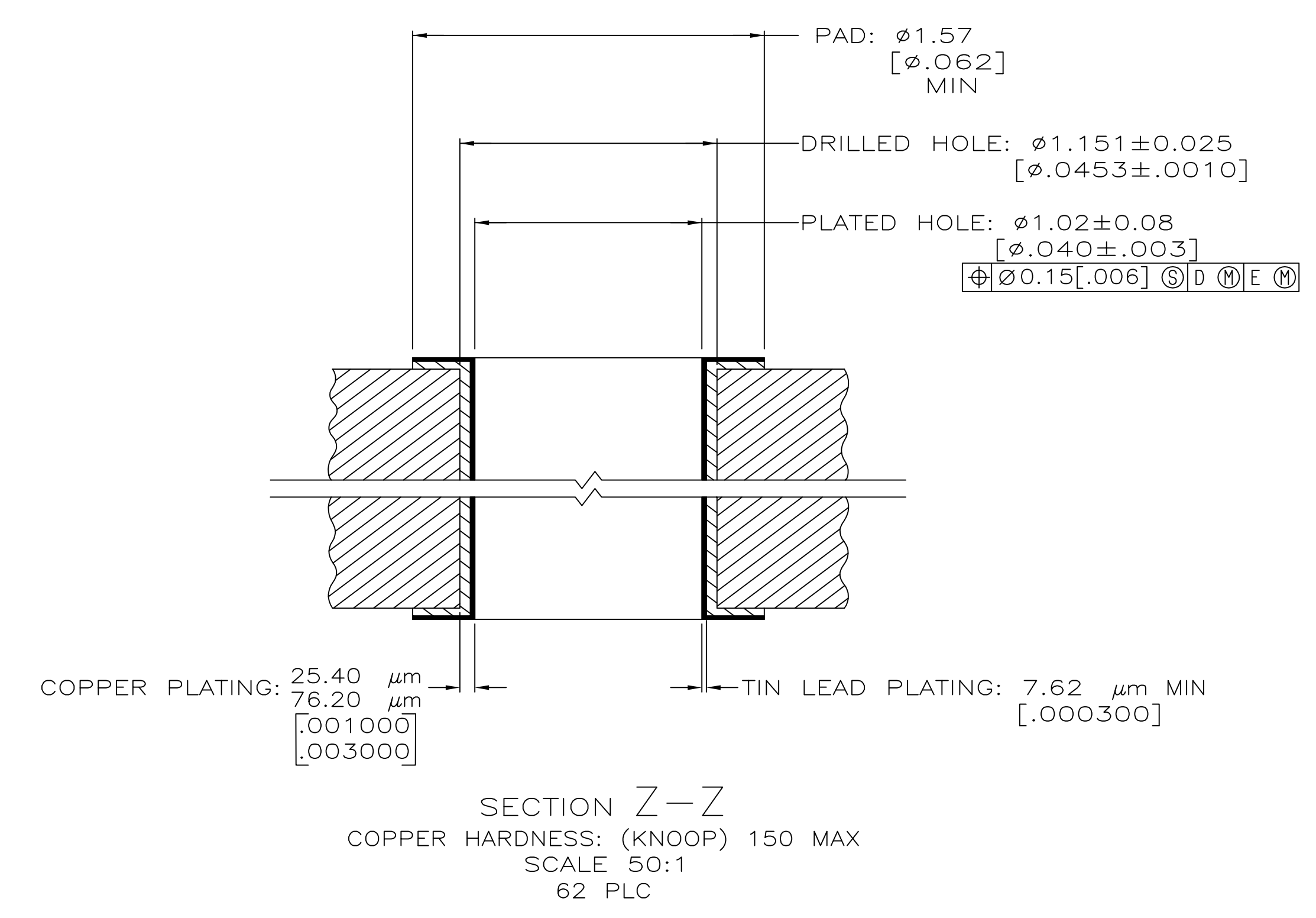
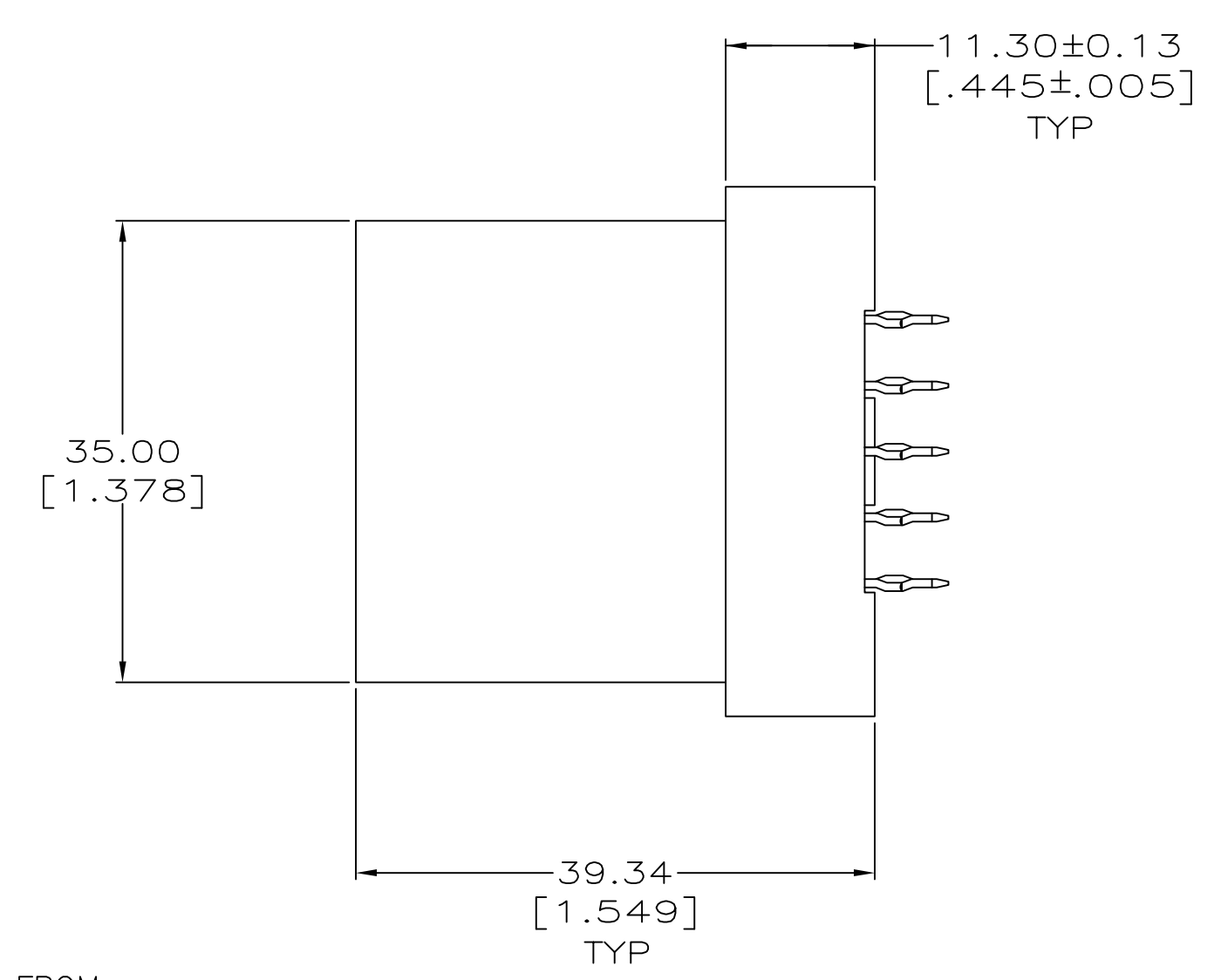
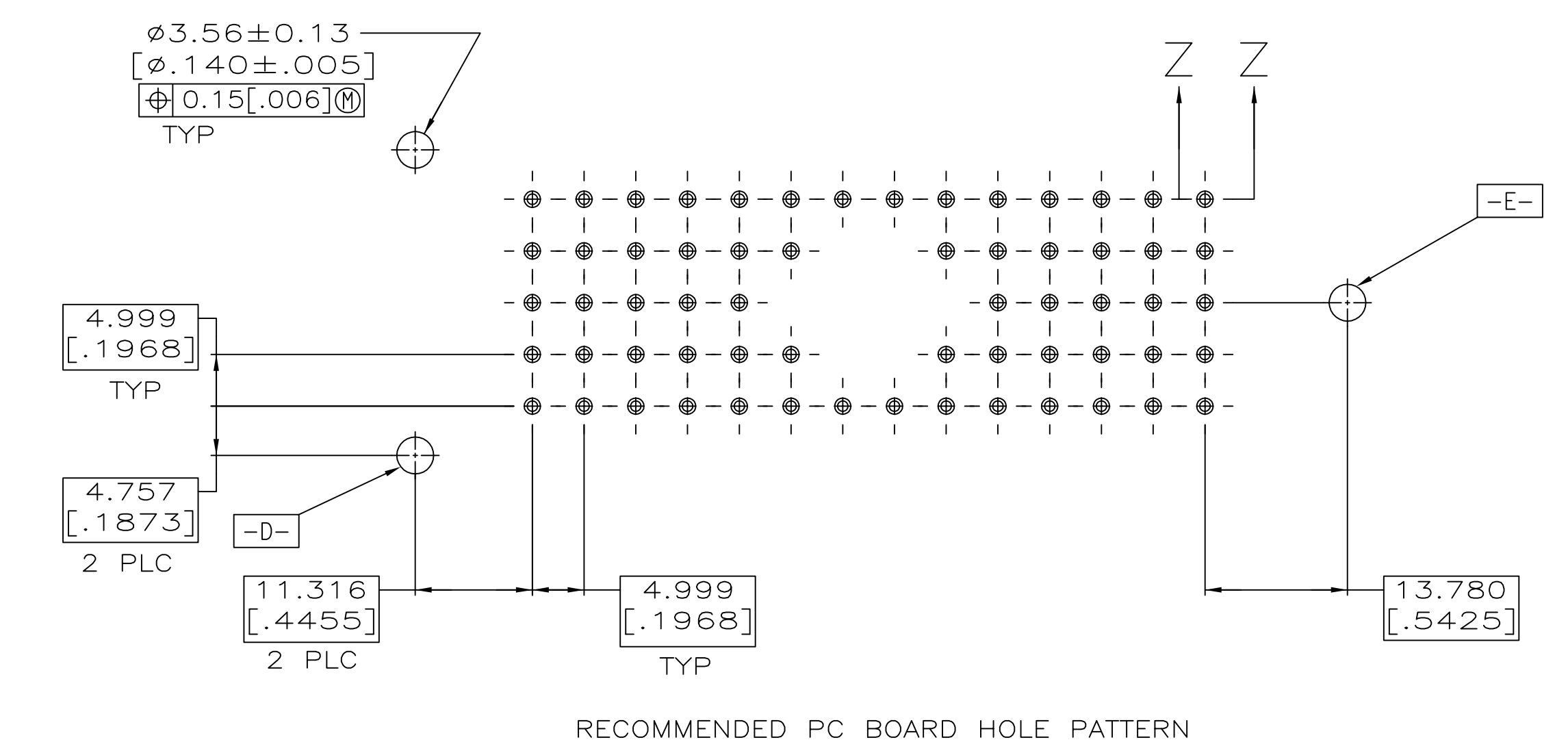
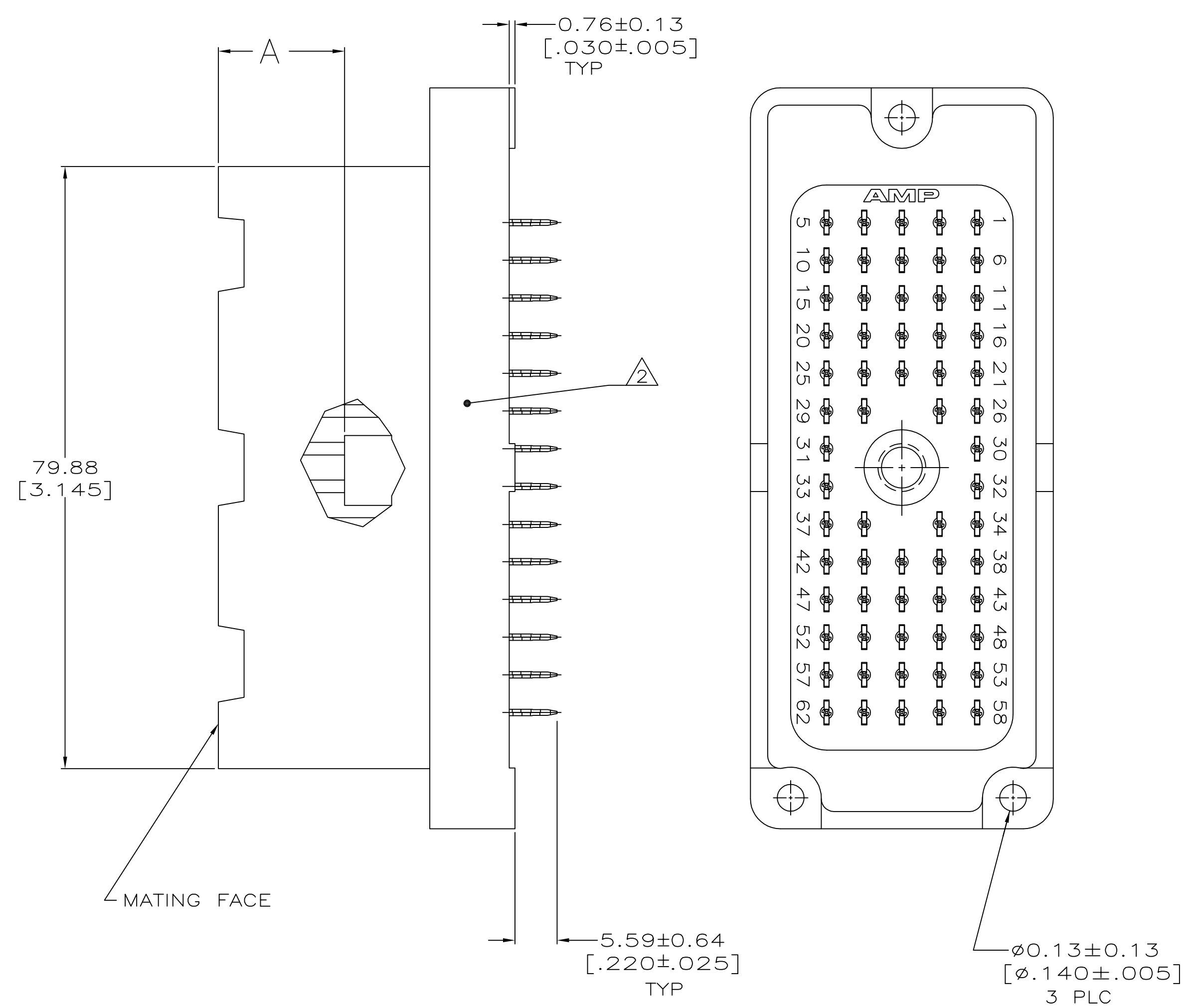
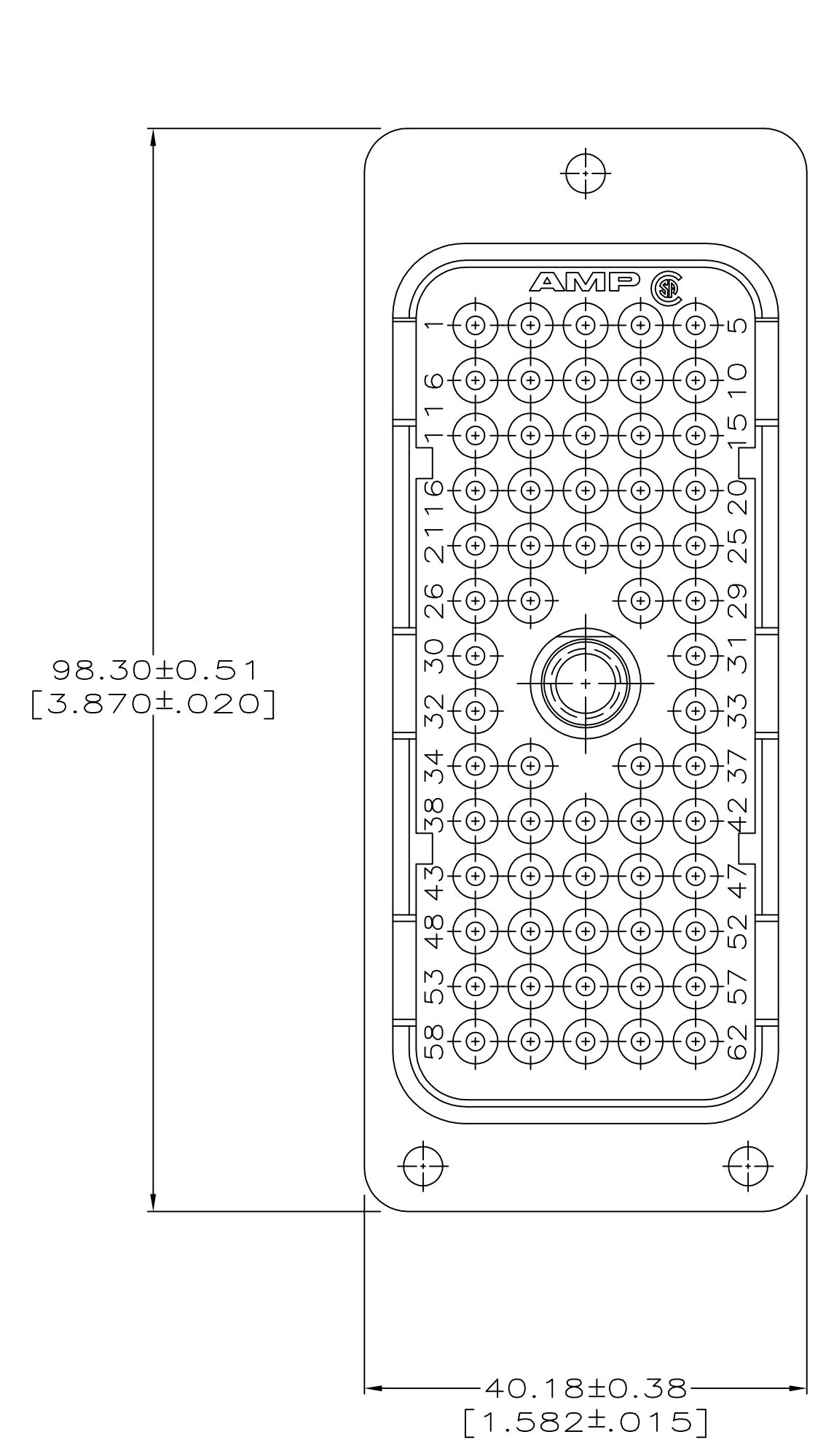


REVISIONS					
P	LTR	DESCRIPTION	DATE	DWN	APVD
D		REVISED PER ECO-07-008991	4/23/07	SS	GS
D1		REVISED PER ECO-09-020935	27AUG09	KK	AEG
E		REVISED PER ECO-17-009310	28JUN2017	RS	MZ



COPPER PLATING: 25.40 μm [0.001000] / 76.20 μm [0.003000]
 TIN LEAD PLATING: 7.62 μm MIN [0.000300]

SECTION Z-Z
 COPPER HARDNESS: (KNOOP) 150 MAX
 SCALE 50:1
 62 PLC

- 1 0.76μm[.000030] MIN GOLD FOR A LENGTH OF 5.46[.215] MIN FROM MATING END, 3.81μm[.000150] MIN TIN-LEAD ON OPPOSITE END FOR A LENGTH OF 5.08[.200] MIN, BOTH OVER 1.27μm[.000050] MIN NICKEL.
- 2 AMP PART NUMBER AND DATE CODE MARKED IN THIS AREA.
- 3 0.76μm[.000030] MIN GOLD FOR A LENGTH OF 7.62[.300] MIN FROM MATING END, 3.81μm[.000150] MIN TIN-LEAD ON OPPOSITE END FOR A LENGTH OF 5.08[.200] MIN, BOTH OVER 1.27μm[.000050] MIN NICKEL.
- 4 0.76μm[.000030] MIN GOLD FOR A LENGTH OF 7.62[.300] MIN FROM MATING END, 3.81μm[.000150] MIN TIN-LEAD ON OPPOSITE END FOR A LENGTH OF 5.08[.200] MIN, BOTH OVER 1.27μm[.000050] MIN NICKEL.
- 5 OBSOLETE PARTS: OBSOLETE CIS STREAMLINING PER D.RENAUD/D.SINISI

6.60 [.260]	4	213788-3
6.60 [.260]	3	213788-2
17.53 [.690]	1	213788-1
SUPERSEDED BY 213788-2		
A	CONTACT FINISH	PART NUMBER

THIS DRAWING IS A CONTROLLED DOCUMENT. DIN C. OBERMAN 1-5-94
 CHK: R. STONE 1-7-94

DIMENSIONS:		TOLERANCES UNLESS OTHERWISE SPECIFIED:	
mm [INCHES]			
0 PLC	± -	PRODUCT SPEC	
1 PLC	± -	APPLICATION SPEC	
2 PLC	± 0.25 [010]	WEIGHT	
3 PLC	± -	CUSTOMER DRAWING	
4 PLC	± -	SCALE	2:1
ANGLES	± -	SHEET	1 OF 1
		REV	E

STE TE Connectivity
 NAME: HEADER ASSEMBLY, 62 POSN, ACTION PIN TM
 SIZE: A1 CAGE CODE: 00779 DRAWING NO: 213788
 RESTRICTED TO: -