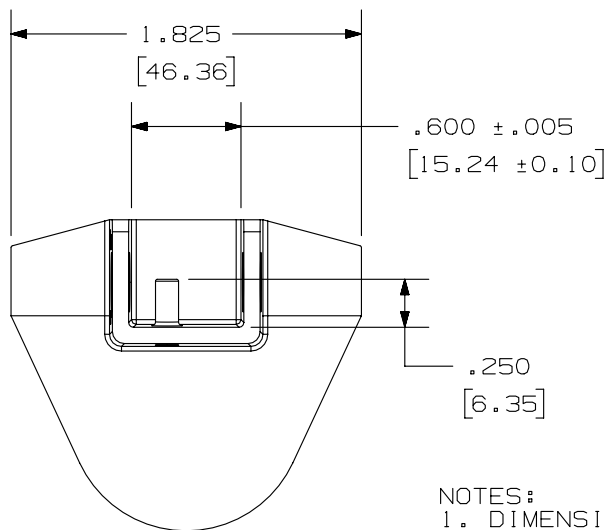
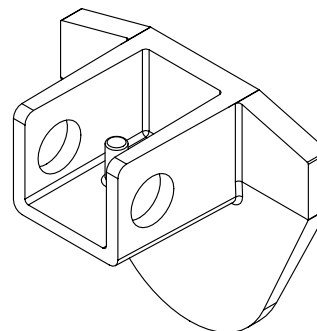
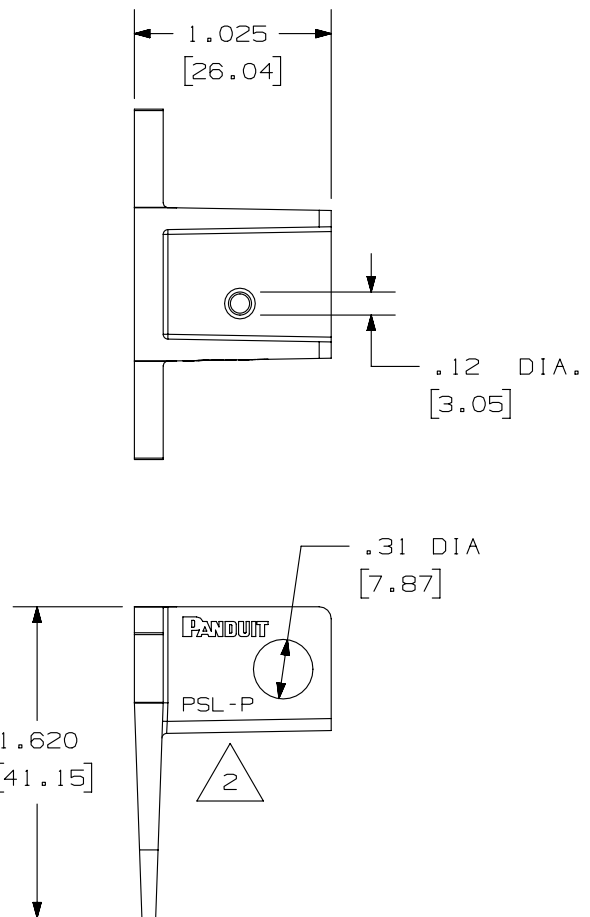


THIS COPY IS PROVIDED ON A RESTRICTED BASIS AND IS NOT TO BE USED IN ANY WAY DETRIMENTAL TO THE INTERESTS OF PANDUIT CORP.



NOTES:
1. DIMENSION IN PARENTHESES ARE IN MILLIMETERS.

| REV | DATE | BY | CHK | APR | DESCRIPTION | ECN |
|-----|---------|-----|------|------|--|------------|
| 2 | 8/14/14 | RVU | MJPF | MSAD | ADD PANDUIT LOGO AND PART NUMBER TEXT ON PART. | GAECN02249 |
| 1 | 9/8/05 | RVU | DWY | | ADDED NOTE 1. | 4164 |
| R | 10/8/03 | RVU | DWY | | DRAWING RELEASE. | 2965 |

| | | | | | | | |
|---|---------|------|-------|--|--|------------------------|------|
| TITLE | | | | | | PSL-P PLUG LOCKOUT | |
| CUSTOMER DRAWING | | | | | | | |
| ITEM REVISION NAME | | | | | | 100295ED/02 | |
| DATASET FILE NAME | | | | | | 100295ED_DC_C10083/02C | |
| UNLESS OTHERWISE SPECIFIED, DIMENSIONAL TOLERANCES ARE: IN [mm] | | | | | | MATERIAL: | |
| .X ± .XX ± | | | | | | RED POLYCARBONATE | |
| .XXX ± ANGLES ± | | | | | | DRAWING NUMBER: | |
| THIRD ANGLE PROJECTION | | | | | | C10083 | |
| DRAWN BY | DATE | CHK | SCALE | | | SHT 1 OF 1 | SIZE |
| RVU | 10/8/03 | MSAD | NTS | | | | A |