

Automotive Power Common Mode Chokes



ACMP-Q1260

Request Samples



Check Inventory



12.0 x 11.0 x 6.0 mm
RoHS/RoHS II Compliant
 MSL Level = 1

Features

- AEC-Q200 compliant, Grade 1
- PPAP ready and supported
- Manufactured in TS/IATF 16949 production lines
- Excellent impedance characteristics
- Rated current up to 9A
- Extremely low DCR

Applications

- DC power line common mode noise suppression.
- Multimedia devices
- Automotive power train
- Automotive infotainment

Electrical Specifications

Part Number	Impedance (Ω)		Test Frequency (MHz)	DCR (m Ω)	Rated Current (A)	Rated Voltage (Vdc)	Insulation Resistance (M Ω)
	Min	Typ.		Max	Max	Max	Min
ACMP-Q1260-701	500	700	100	5.0	9.0	80	10
ACMP-Q1260-102	750	1000	100	8.0	7.0	80	10

Rated Current is based on an Irms temperature rise of 40°C

ACMP-Q1260 is AEC-Q200 Automotive certified

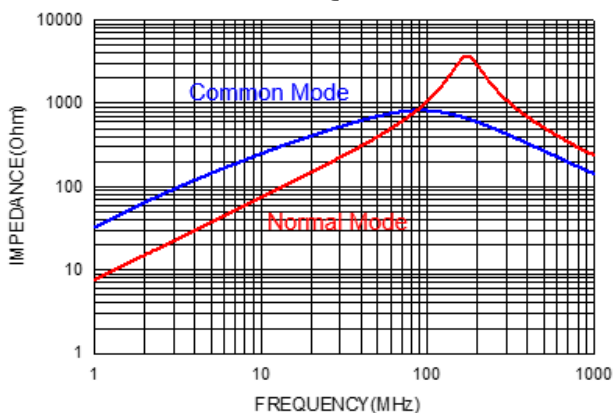
ACMP-Q1260 Series is RoHS Compliant and Pb free

Operating Temperature: -40°C to +125°C (Including self-heating)

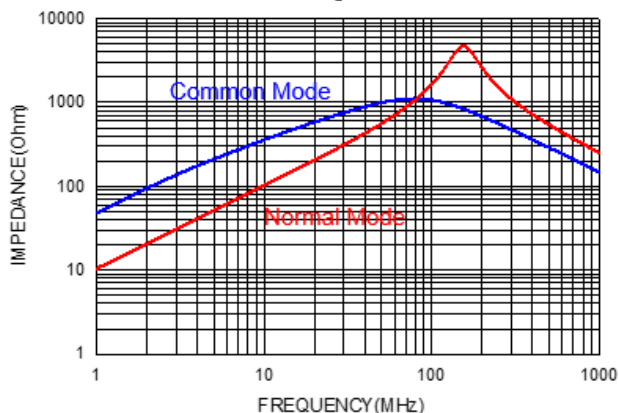
Storage Temperature (on PCB): -40°C to +125°C

Storage (in original packaging): <40°C, <60% RH

ACMP-Q1260-701



ACMP-Q1260-102



5101 Hidden Creek Ln, Spicewood TX 78669
 Phone: 512-371-6159 Fax: 512-351-8858
 For terms and conditions of sales, please visit:
www.abracon.com

REVISION Initial Release
 3/31/2022

ABRACON IS
 ISO9001-2015
 CERTIFIED

Automotive Power Common Mode Chokes



ACMP-Q1260

Request Samples

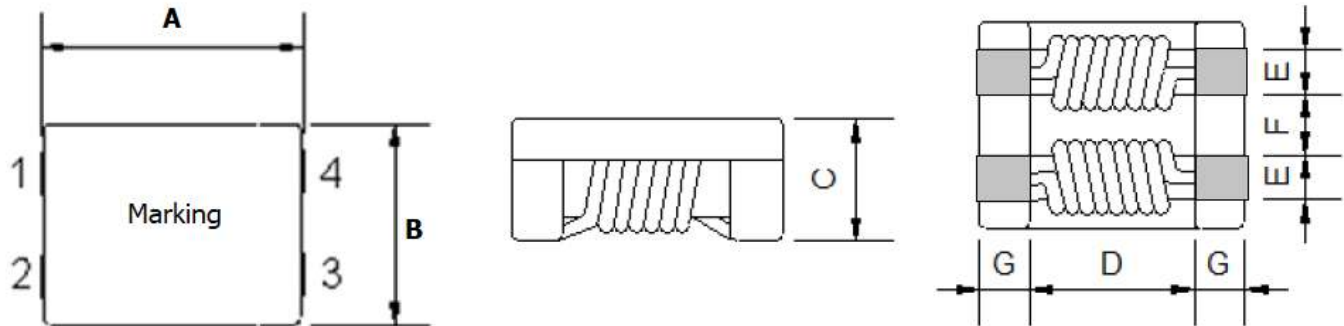


Check Inventory

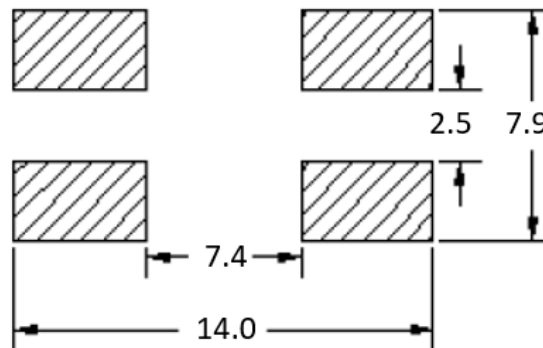


12.0 x 11.0 x 6.0 mm
RoHS/RoHS II Compliant
 MSL Level = 1

Mechanical Specifications



A	B	C	D	E	F	G
12.0 ±0.3	11.0 ±0.3	6.0 MAX	6.7 Typ.	2.7 ±0.5	2.6 ±0.5	2.6 ±0.2



Recommended Layout

Dimensions: mm

Automotive Power Common Mode Chokes



ACMP-Q1260

Request Samples

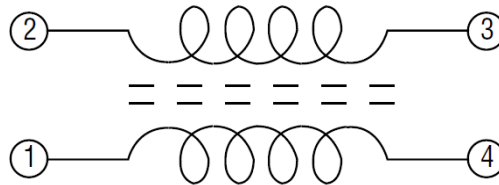


Check Inventory

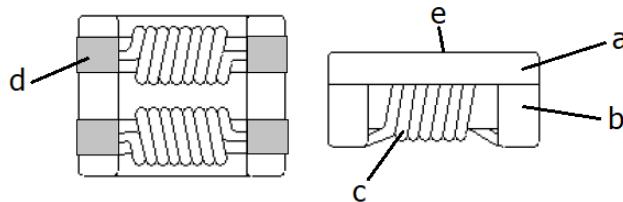


12.0 x 11.0 x 6.0 mm
RoHS/RoHS II Compliant
 MSL Level = 1

Schematic

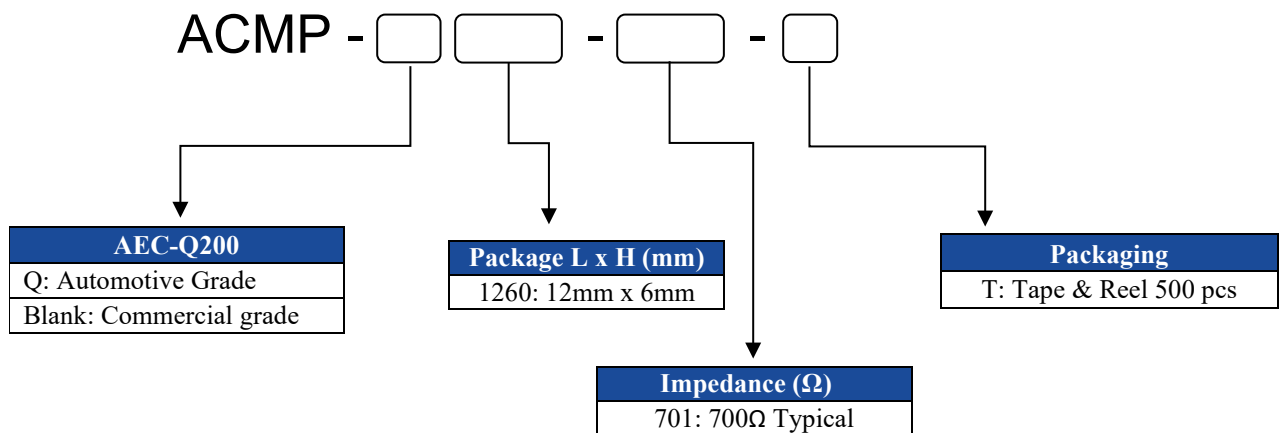


Materials



	Description	Specification
a	Upper Plate	Plastic
b	Core	Ferrite Core
c	Wire	Enameled Copper
d	Electrode	Ag/Ni/Sn + Sn Solder
e	Marking	Laser Marking

Part Identification



Automotive Power Common Mode Chokes



ACMP-Q1260

Request Samples

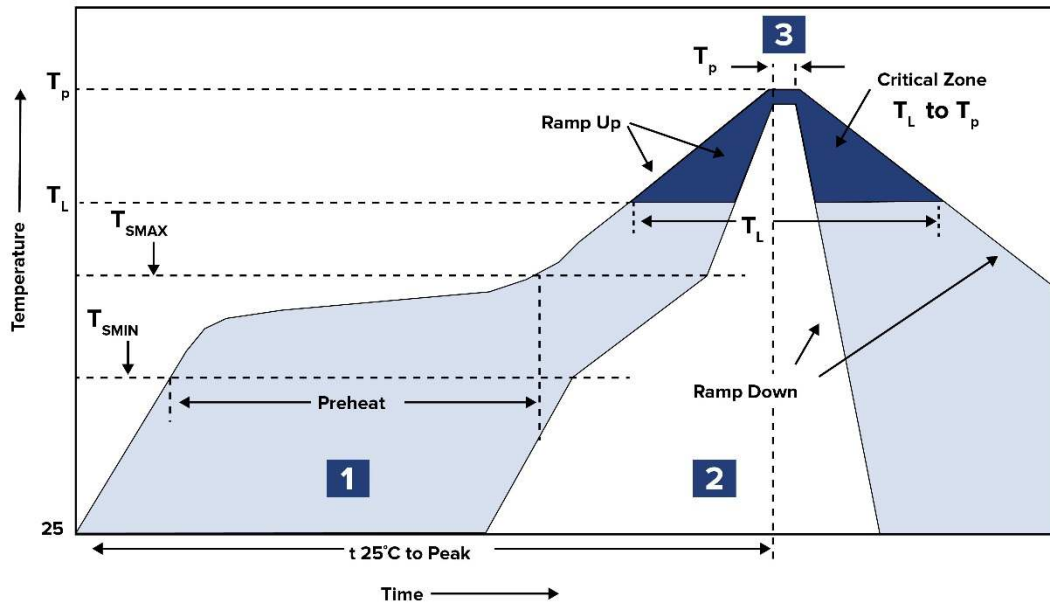


Check Inventory



12.0 x 11.0 x 6.0 mm
RoHS/RoHS II Compliant
MSL Level = 1

Reflow Profile



Zone	Description	Temperature	Times
1	Preheat	$T_{SMIN} \sim T_{SMAX}$ 150°C ~ 200°C	60 ~ 120 sec.
2	Reflow	T_L 217°C	60 ~ 150 sec.
3	Peak heat	T_p 250°C ± 5°C	30 sec. MAX

Automotive Power Common Mode Chokes



ACMP-Q1260

Request Samples



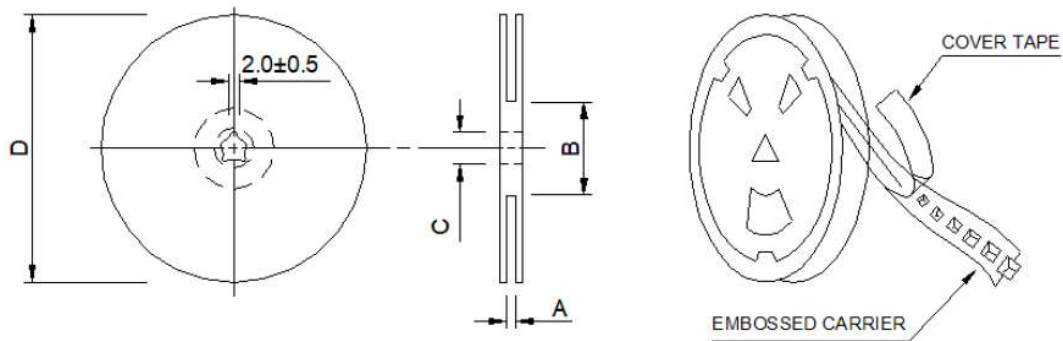
Check Inventory



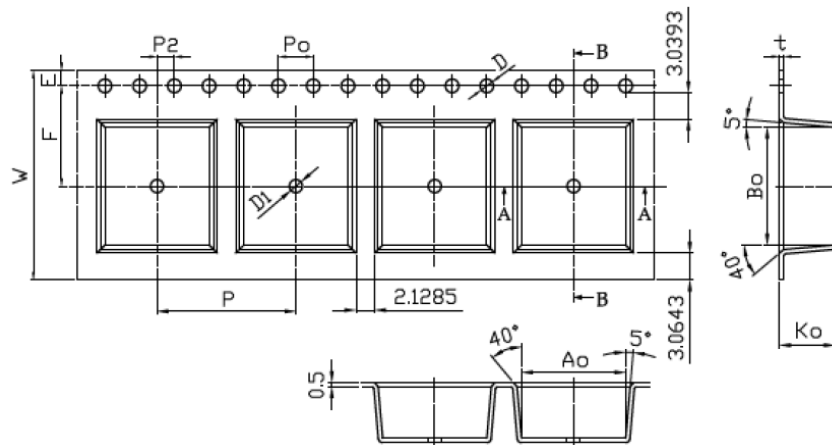
12.0 x 11.0 x 6.0 mm
RoHS/RoHS II Compliant
 MSL Level = 1

Packaging

Tape & Reel: 500pcs/reel



Series	A	B	C	D
ACMP-Q1260	24.0 ± 0.5	100.0 ± 2.0	13.5 ± 0.5	330



W	P	E	F	P0	P2	Bo	Ao	Ko	D	D1	t
24.0 ±0.30	16 ±0.10	1.75 ±0.10	11.5 ±0.10	4.0 ±0.10	2.0 ±0.10	13.5 ±0.10	12.0 ±0.10	6.4 ±0.10	1.5 +0.10/-0	1.5 ±0.10	0.5 ±0.05

Dimensions: mm

ATTENTION: Abracon LLC's products are COTS – Commercial-Off-The-Shelf products; suitable for Commercial, Industrial and, where designated, Automotive Applications. Abracon's products are not specifically designed for Military, Aviation, Aerospace, Life-dependent Medical applications or any application requiring high reliability where component failure could result in loss of life and/or property. For applications requiring high reliability and/or presenting an extreme operating environment, written consent and authorization from Abracon LLC is required. Please contact Abracon LLC for more information.



5101 Hidden Creek Ln, Spicewood TX 78669
 Phone: 512-371-6159 Fax: 512-351-8858
 For terms and conditions of sales, please visit:
www.abracon.com

REVISION Initial Release
 3/31/2022

ABRACON IS
 ISO9001-2015
 CERTIFIED