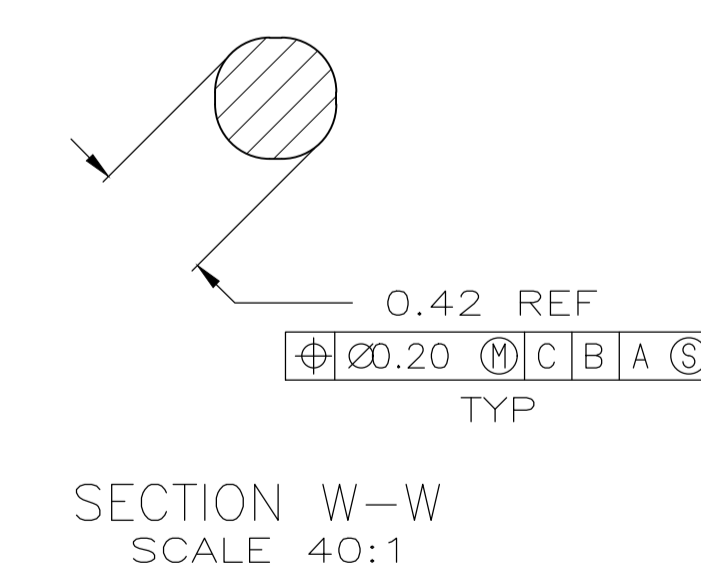
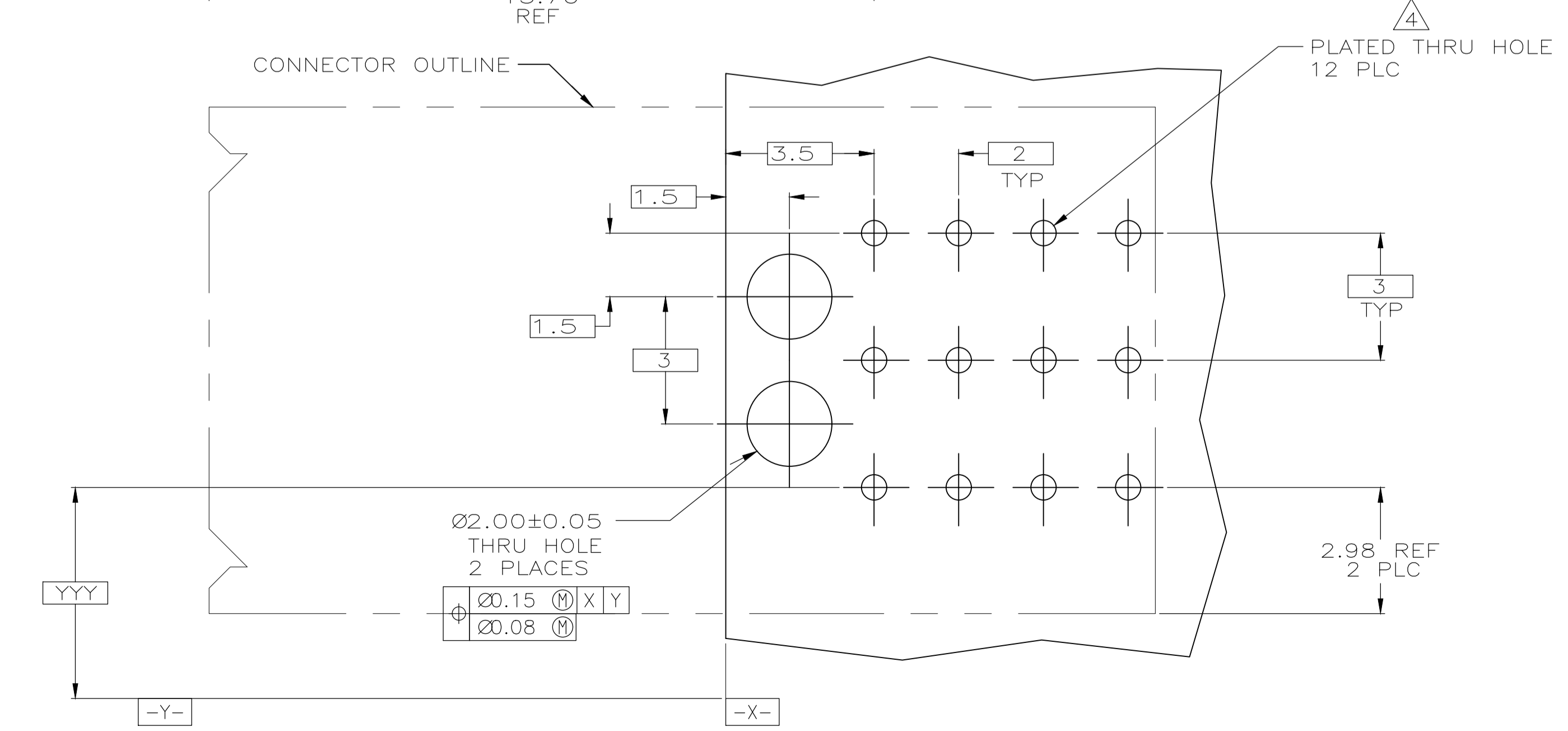
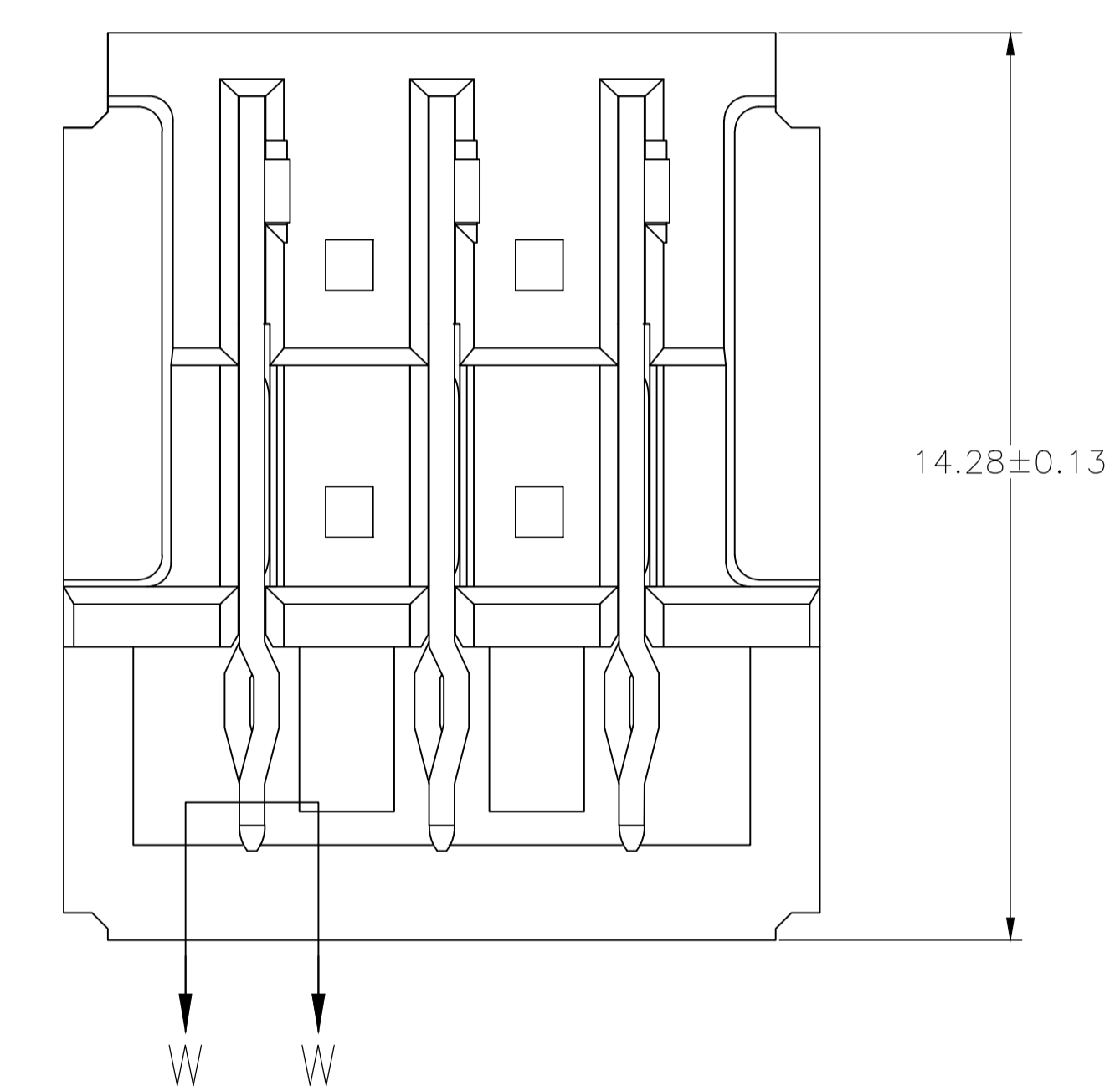
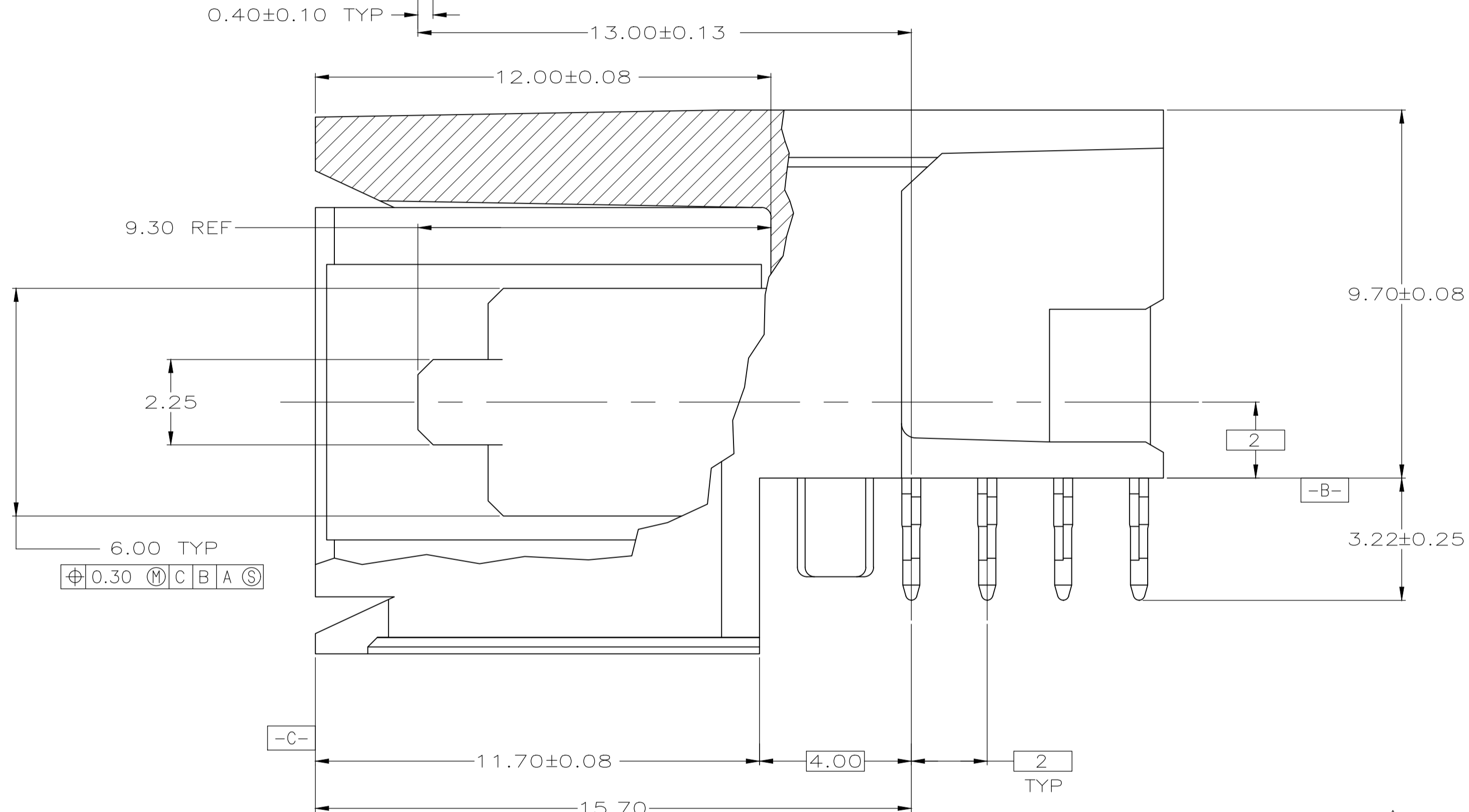
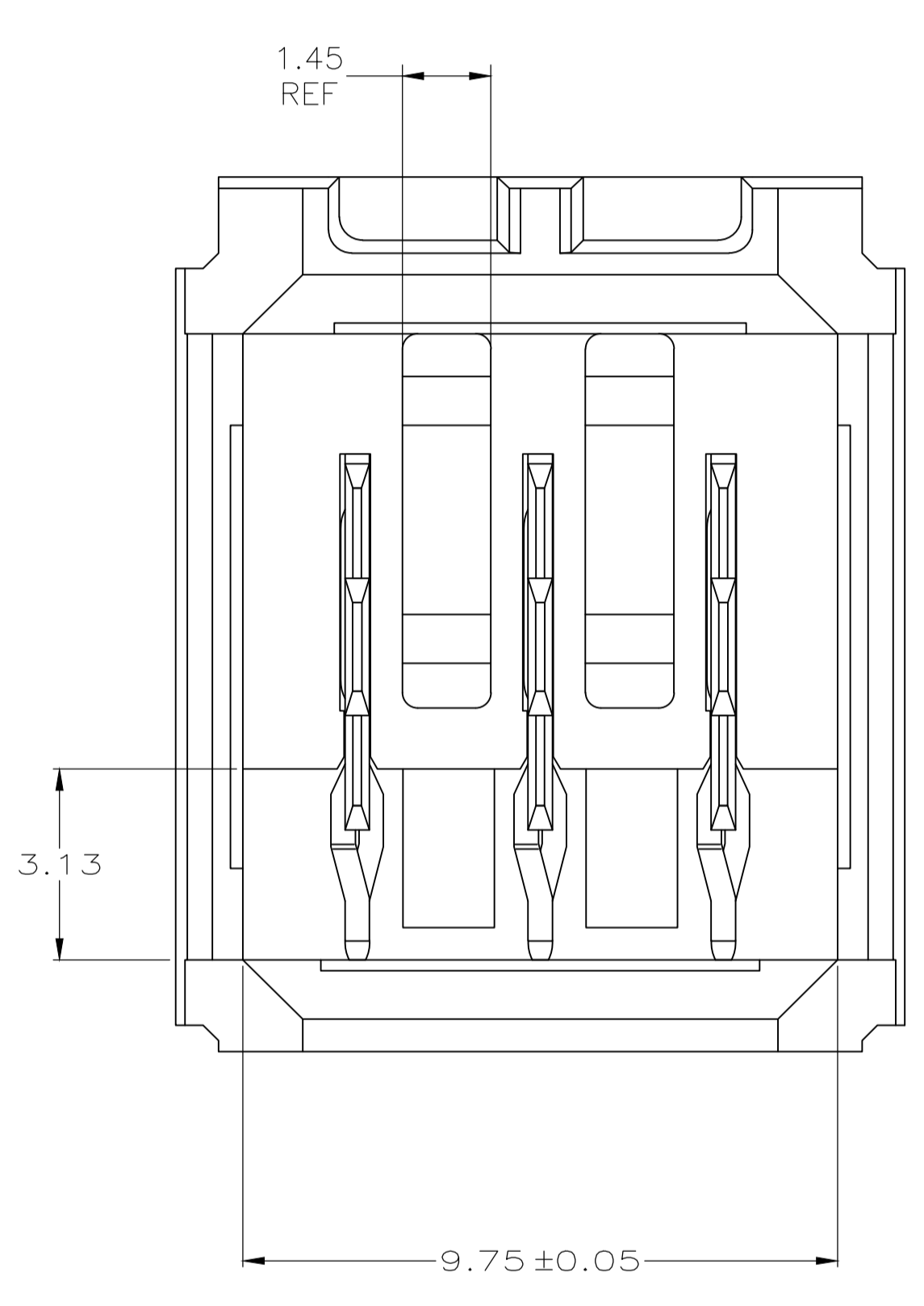


- 1 MATERIAL: HOUSING: POLYESTER. COLOR: GREY.
CONTACT: COPPER ALLOY.
- 2 FINISH: IN ACCORDANCE WITH PRODUCT SPECIFICATION 108-1651,
GOLD PLATING OR EQUIVALENT PLATING ON PRODUCT CONTACT MATING AREA,
AND MATTE TIN PLATING ON COMPLIANT PIN AREA, ALL OVER MATTE NICKEL
UNDERPLATED. DETAIL PLEASE REFER TO PRODUCT SPECIFICATION 108-1651.
- 3 FINISH: CONTACT LUBRICATION WITH BELLCORE APPROVED
LUBRICANT. TECHNICAL REFERENCE: TR-NWT-001217
ISSUE 1, SEPT 1992.
- 4 REFERENCE APPLICATION SPEC 114-1103 FOR
RECOMMENDED PLATED THRU HOLE DIAMETER AND
PLATING THICKNESS.



RECOMMENDED PCB HOLE LAYOUT

5223993-1
PART NUMBER

THIS DRAWING IS A CONTROLLED DOCUMENT.		DIN: B. CARBO 14DEC04	Tyco Electronics Corporation Harrisburg, Pa 17105-3608
		CHK: R. PATTERSON 14DEC04	
DIMENSIONS: mm		APVD: R. PATTERSON 14DEC04	NAME: R. PATTERSON
TOLERANCES UNLESS OTHERWISE SPECIFIED:		PRODUCT SPEC: 108-1651	
0 PLC ± -		APPLICATION SPEC: 114-1103	
1 PLC ± 0.13		SIZE: A1	
2 PLC ± 0.13		CASE CODE: 00779	
3 PLC ± -		DRAWING NO: 5223993	
4 PLC ± -		WEIGHT: -	
ANGLES ± -		CUSTOMER DRAWING	
MATERIAL: 1		RESTRICTED TO: -	
FINISH: 2, 3		SCALE: 10:1	
		SHEET: 1 of 1	
		REV: D1	