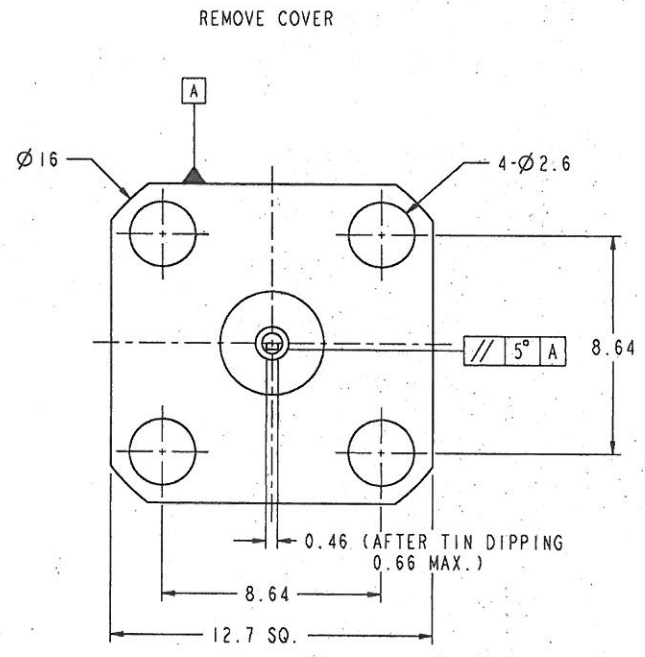
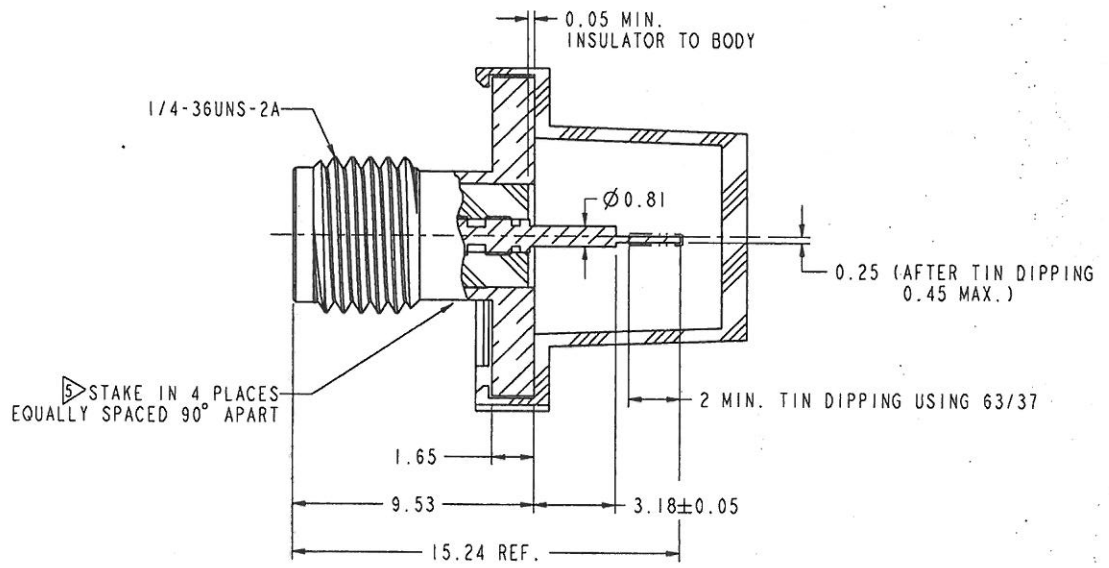


NOTES:

1. MATERIAL AND FINISH (PLATING THICKNESS IN MICRO-INCHES):  
 BODY - STAINLESS STEEL, PASSIVATED  
 CONTACT - BERYLLIUM COPPER, GOLD PLATING  
 INSULATOR - PTFE, NATURAL
  2. ELECTRICAL:  
 A. IMPEDANCE: 50 OHM  
 B. FREQUENCY RANGE: 0-18 GHz  
 C. VSWR (RETURN LOSS): 1.3 MAX.  
 D. DIELECTRIC WITHSTANDING VOLTAGE: 1000 VRMS. MIN.
  3. MECHANICAL:  
 A. DURABILITY: 500 CYCLES MIN.  
 B. TEMPERATURE RANGE: -65°C TO +165°C  
 C. CONNECTOR SUPPLIED WITH POLYETHELENE CAP TO PROTECT CONTACT
  4. PACKAGING:  
 A. QUANTITY: SINGLE PACK  
 B. MARKING: BAG TO BE MARKED  
 "AMPHENOL, 901-10228, AND DATE CODE"
- ▷ CONTACT MUST WITHSTAND A 6.075 Lbs. MIN. AXIAL FORCE IN BOTH DIRECTION AFTER STAKING.

THIRD ANGLE PROJ.

| REV |  | DESCRIPTION  | DATE      | ECO   | APPR |
|-----|--|--|-----------|-------|------|
| A   |  | RELEASE TO MFG.  | 18-Feb-08 | 46560 | CW   |
| B   |  | 3.18±0.05 WAS 3.18 <sup>+0.02</sup> / <sub>-0.03</sub> , REMOVE HIGH TEMP. SOLDER /RD-DM08061301S1 | 20-Jun-08 | 47083 | SH   |
| C   |  | SEE SHEET 1/RD-DM08111101S1  | 18-Nov-08 | 48869 |      |



**CUSTOMER OUTLINE DRAWING**  
 ALL OTHER SHEETS ARE FOR INTERNAL USE ONLY

UNLESS OTHERWISE SPECIFIED, DIMENSIONS ARE IN METRIC AND TOLERANCES ARE:  
 0.5 - 6mm ±0.1mm  
 6 - 30mm ±0.2mm  
 30 - 120mm ±0.3mm  
 ANGLES ±1°

NOTICE - These drawings, specifications, or other data (1) are, and remain the property of Amphenol Corp. (2) must be returned upon request; and (3) are confidential and not to be disclosed to any person other than those to whom they are given by Amphenol Corp. The furnishing of these drawings, specifications, or other data by Amphenol Corp., or to any other person to anyone for any purpose is not to be regarded by implication or otherwise in any manner licensing, granting rights to permitting such holder or any other person to manufacture, use or sell any product, process or design, patented or otherwise, that may in any way be related to or disclosed by said drawings, specifications, or other data.

|                                    |          |                                 |      |           |                |                       |        |  |  |
|------------------------------------|----------|---------------------------------|------|-----------|----------------|-----------------------|--------|--|--|
| MATERIAL                           | DRAWN    | C. WANG                         | DATE | 18-Feb-08 | TITLE          | SMA PANEL RECEPT JACK |        |  | Amphenol RF<br>Donbury CT USA, Tainan, Taiwan, Shenzhen, China<br>www.amphenolrf.com |
|                                    | ENGINEER | C. WANG                         | DATE | 18-Feb-08 |                |                       |        |  |  |
| REFERENCE AND CONFIGURATION LEVEL: | APPROVED | S. HSIEH                        | DATE | 19-Feb-08 | SCALE: 5.0:1.0 | SHEET                 | 2 OF 2 |  | DRAWING NO. SMA6551A2-004-SXPT50G-50   |
|                                    | FINISH   | I:\SMA\SMA6551A2-004-SXPT50G-50 |      |           | DWG SIZE       | CODE ID               | REV    |  | ITEM NO. 116551BADA1PR5F   |
|                                    |          |                                 |      |           | B              | 74868                 | C      |  | PART NO. 901-10228   |