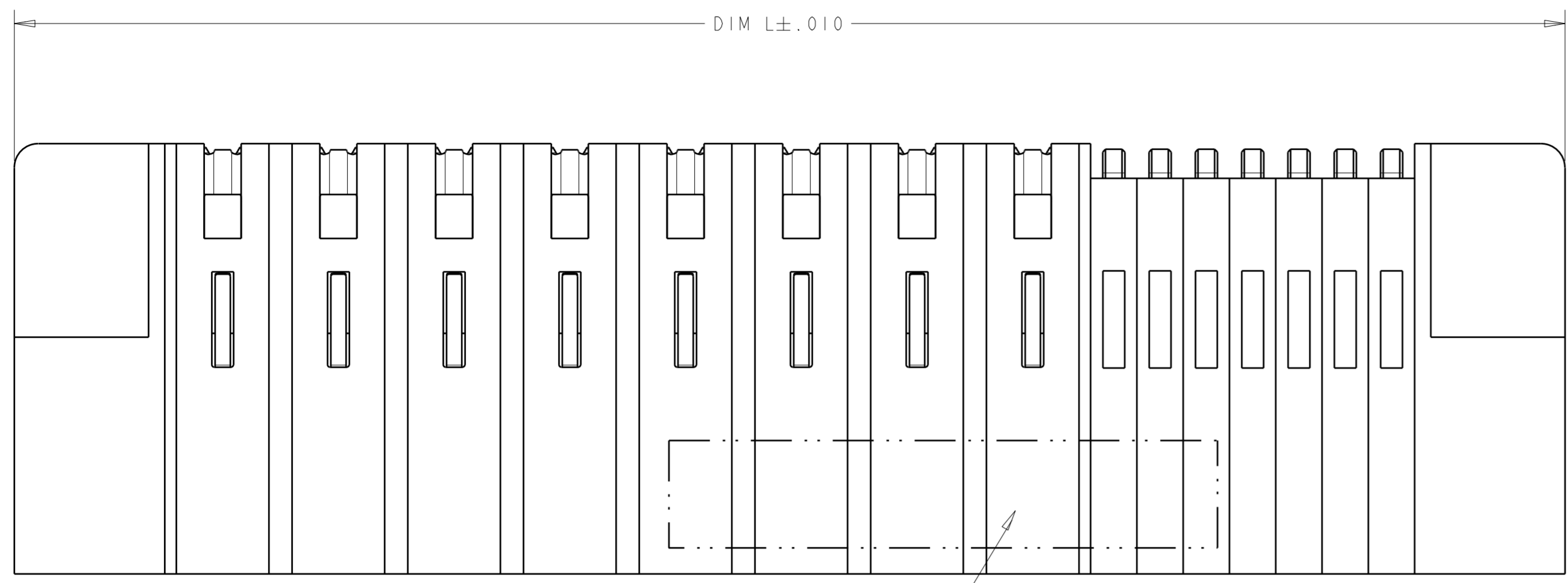
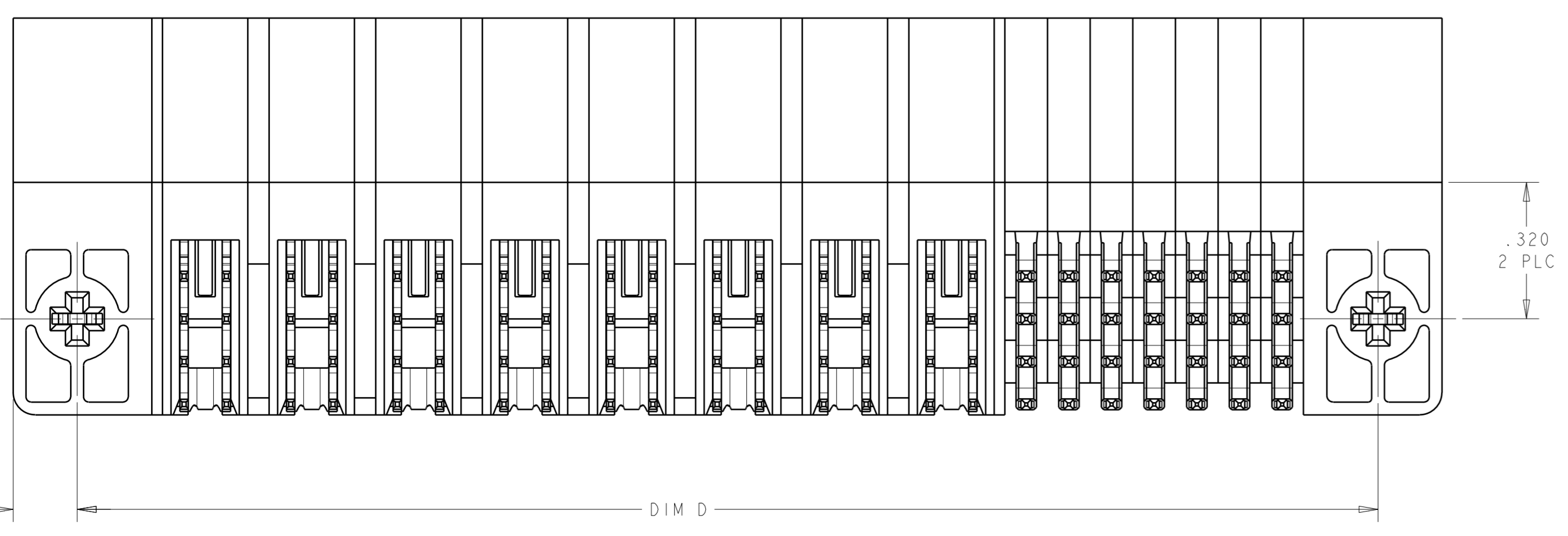
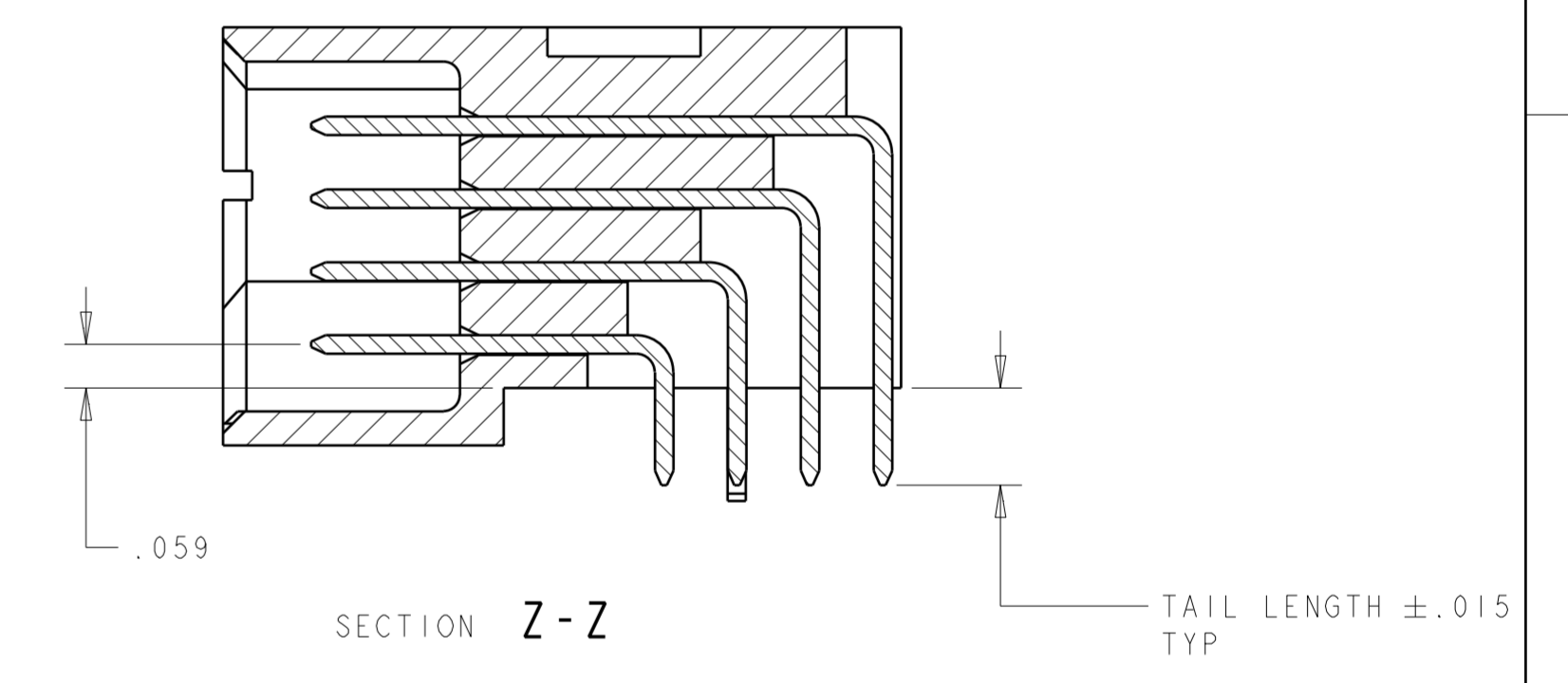
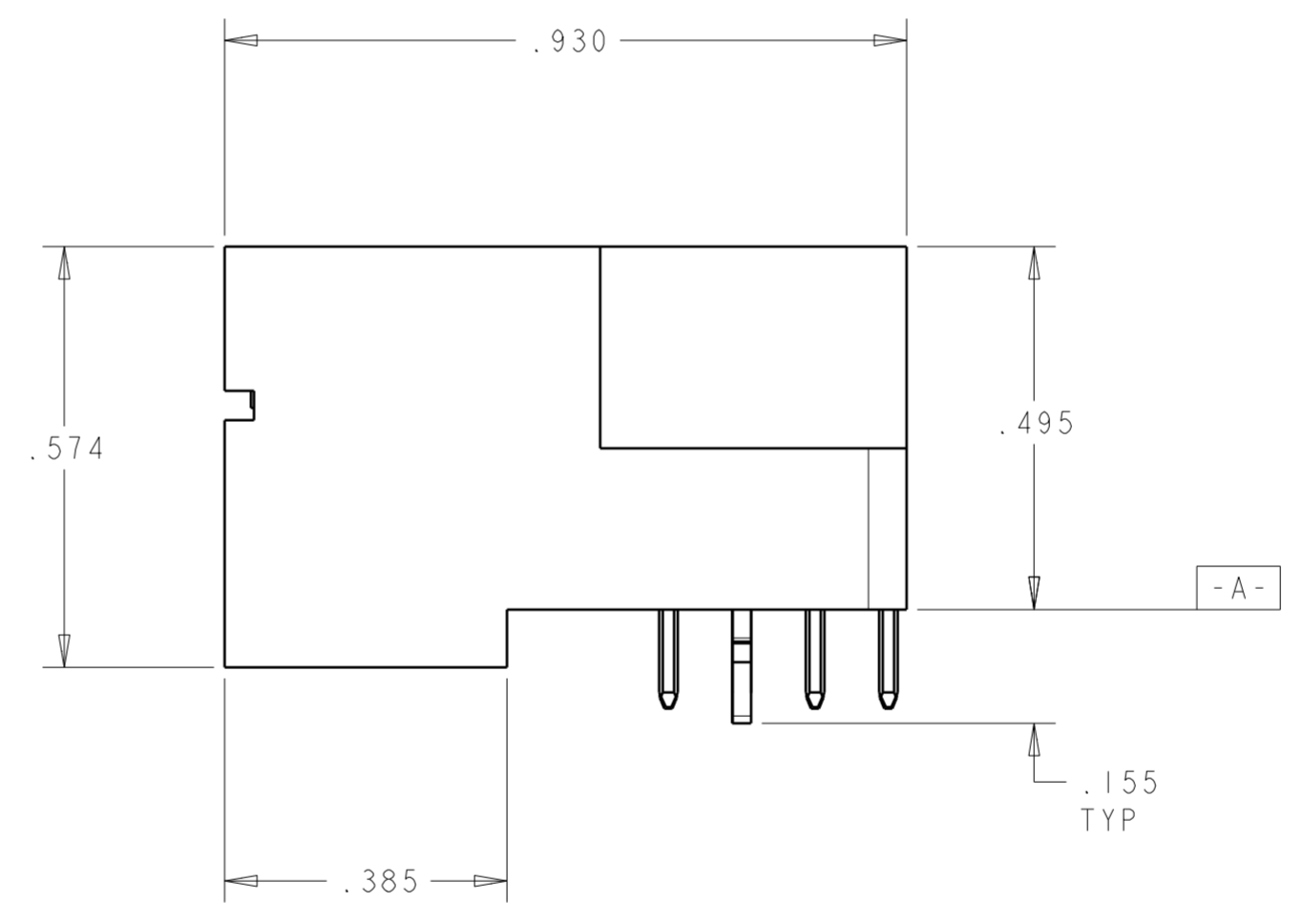
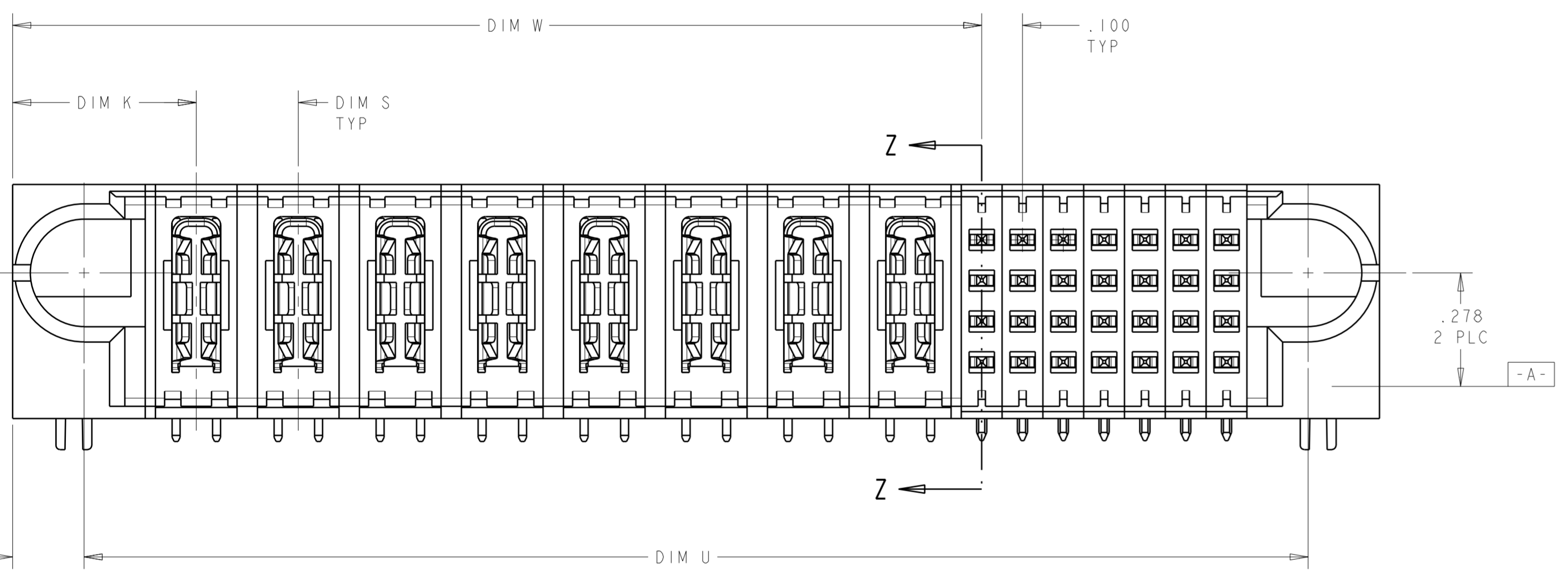


LOC	DIST	REVISIONS			
P	LTR	DESCRIPTION	DATE	DWN	APVD
A		PRELIMINARY RELEASE	17AUG2006	CZ	SY



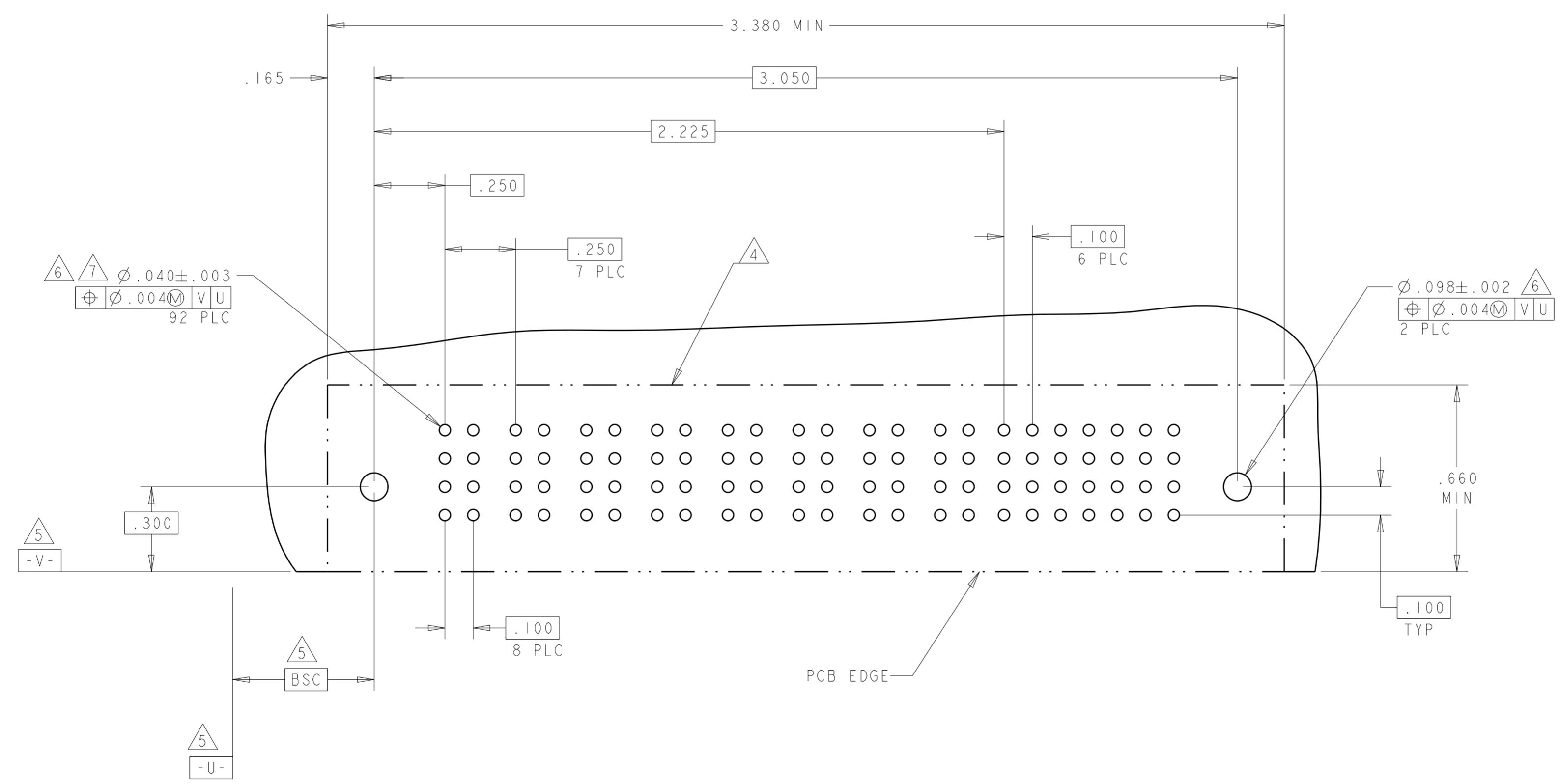
- 1 "AMP" TRADEMARK, PART NUMBER, AND DATE CODE TO BE MARKED IN AREA SHOWN.
- 2 MATERIAL:
HOUSING - GLASS FILLED HIGH TEMP THERMO PLASTIC, UL94 V-0
SIGNAL CONTACT - COPPER ALLOY
POWER CONTACT - HIGH CONDUCTIVITY COPPER ALLOY
- 3 CONTACT PLATING:
SIGNAL CONTACTS- .000050 MIN Ni UNDER ALL
.000030 MIN Au ON CONTACT AREA
.000100 MIN Sn AT PCB INTERFACE
POWER CONTACTS- .000050 MIN Ni UNDER ALL
.000030 MIN Au AT CONTACT AREA
.000100 MIN Sn AT PCB INTERFACE
- 4 MECHANICAL CONNECTOR KEEP OUT ZONE
- 5 DATUM AND BASIC DIMENSIONS ESTABLISHED BY CUSTOMER
- 6 PCB - ALL HOLE DIAMETERS ARE FINISHED HOLE SIZES
- 7 PCB - .0453+/- .0010 DRILLED HOLES PLATED WITH .0003 MIN Sn OVER .001 TO .003 PLATING TO ACHIEVE A .040 DIA HOLE



3.000	.250	2.375	3.050	.450	3.350	8P + 28S	1892202-1
DIM U	DIM S	DIM W	DIM D	DIM K	DIM L	DESCRIPTION	PART NUMBER
<small>THIS DRAWING IS A CONTROLLED DOCUMENT FOR TYCO ELECTRONICS CORPORATION. IT IS SUBJECT TO CHANGE AND THE CONTROLLING AND REVISION INFORMATION SHOULD BE CONTACTED FOR THE LATEST REVISION.</small>							
DIMENSIONS: INCHES 		TOLERANCES UNLESS OTHERWISE SPECIFIED: 0 PLC ± 1 PLC ±.01 2 PLC ±.005 3 PLC ±.0020 ANGLES ±.2		DWN CECILY ZHOU 17AUG2006 CHK S. ZHAO 17AUG2006 APVD S. YAO 17AUG2006		NAME S. ZHAO Tyco Electronics incorporated Shanghai, P.R. China, 200233	
MATERIAL : 2		FINISH : 3		PRODUCT SPEC 108-1973 APPLICATION SPEC 114-13038 WEIGHT -		SIZE A1 CASE CODE 00779 DRAWING NO C-1892202 RESTRICTED TO -	
CUSTOMER DRAWING				SCALE 4:1		SHEET 1 OF 2 REV A	

LOC		DIST		REVISIONS				
ES	00	PT	LTR	DESCRIPTION	DATE	DWN	APVD	
				SEE SHEET J				

PART NUMBER	ROWS	POWER								SIGNAL						
		P1	P2	P3	P4	P5	P6	P7	P8	1	2	3	4	5	6	7
1892202-1	D C B A	TM	TM	TM	TM	TM	TM	TM	TM	E	E	E	E	E	E	E
		TM	TM	TM	TM	TM	TM	TM	TM	F	F	F	F	F	F	F
		TM	TM	TM	TM	TM	TM	TM	TM	G	G	G	G	G	G	G
		TM	TM	TM	TM	TM	TM	TM	TM	S	S	S	S	H	H	H
8P + 28S																



TM	.135
CODE	TAIL LENGTH
POWER CONTACT	

CODE	MATING SEQUENCE	TAIL LENGTH	ROW
E	MLBF	.135	D
F	MLBF	.135	C
G	MLBF	.135	B
H	MLBF	.135	A
J	STD	.135	D
K	STD	.135	C
N	STD	.135	B
S	STD	.135	A
CODE	MATING SEQUENCE	TAIL LENGTH	ROW
SIGNAL CONTACT			

DIMENSIONS:		TO DIMENSIONS UNLESS OTHERWISE SPECIFIED:		DRAWN: CECILY ZHOU		DATE: 11AUG2006		NAME: S. YAO	
INCHES		0 PLC ±.01		CHK: S. ZHAO		DATE: 11AUG2006		APVD: S. YAO	
MATERIAL:		1 PLC ±.005		TYCO ELECTRONICS		TYCO ELECTRONICS INCORPORATED		SHANGHAI, P.R. CHINA 200233	
FINISH:		2 PLC ±.0020		PRODUCT SPEC: 108-1973		APPLICATION SPEC: 114-13038		RESTRICTED TO:	
		3 PLC ±.0020		SCALE: 3:1		SHEET 2 OF 2		REV A	
		4 PLC ±.0020		CUSTOMER DRAWING					