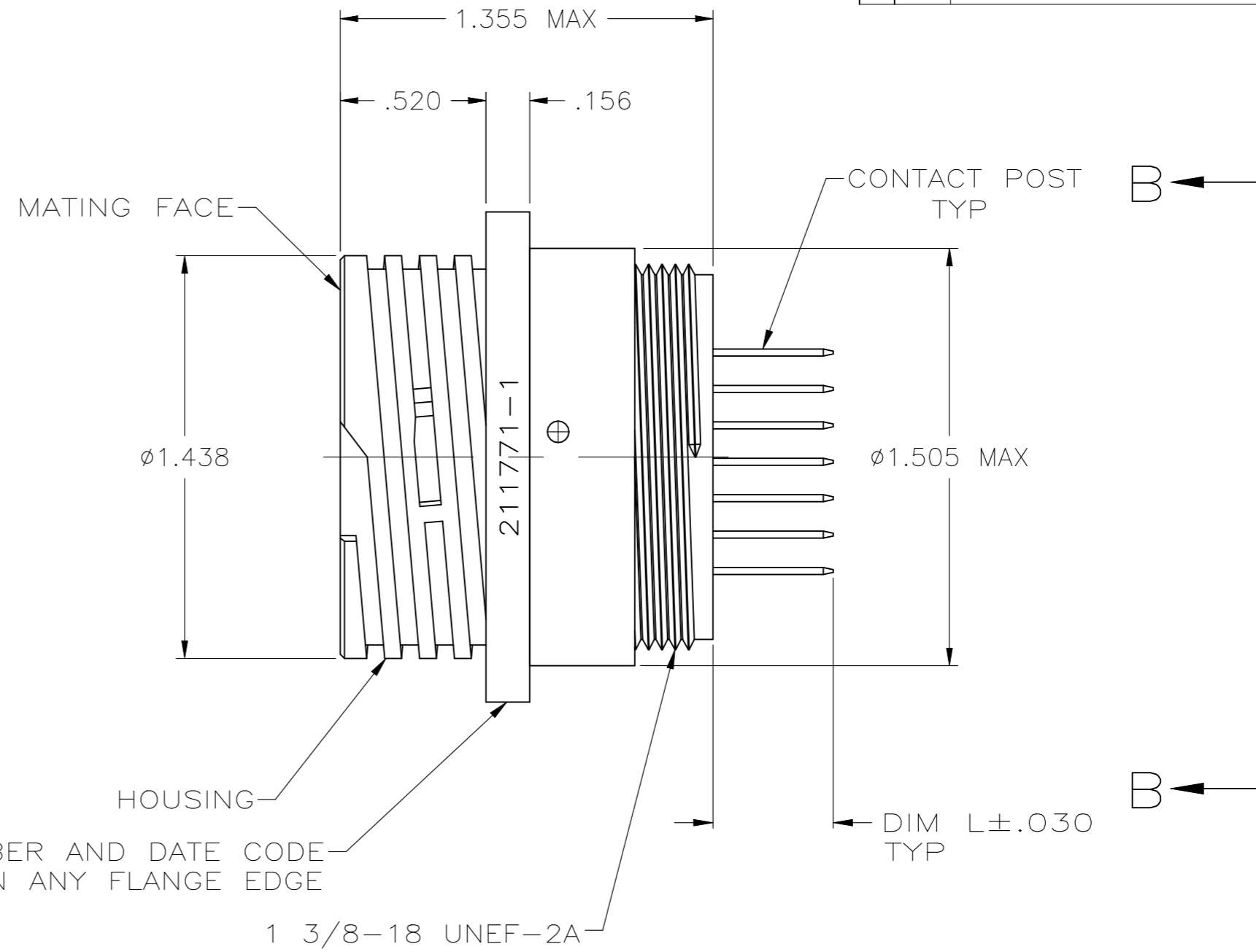
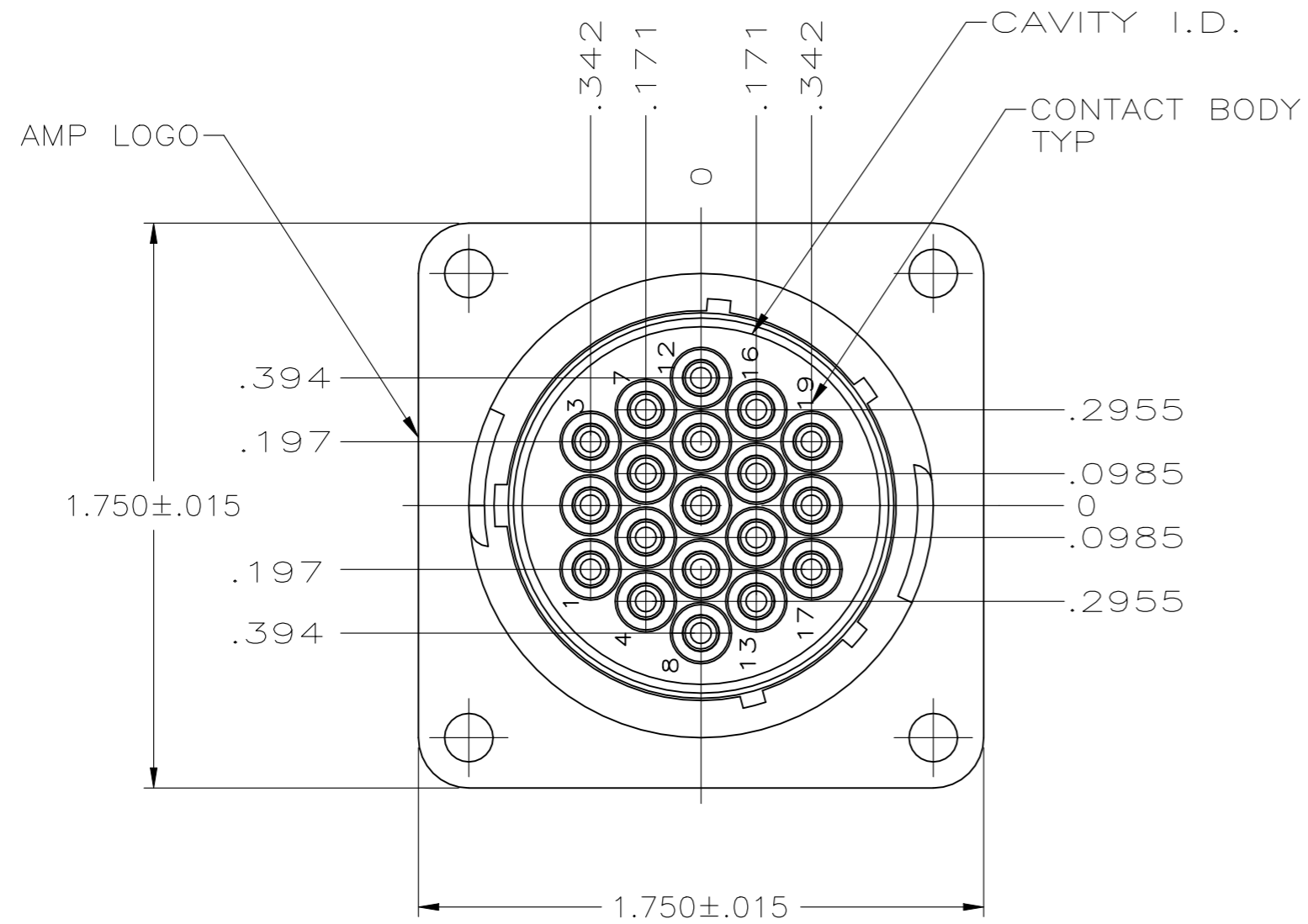
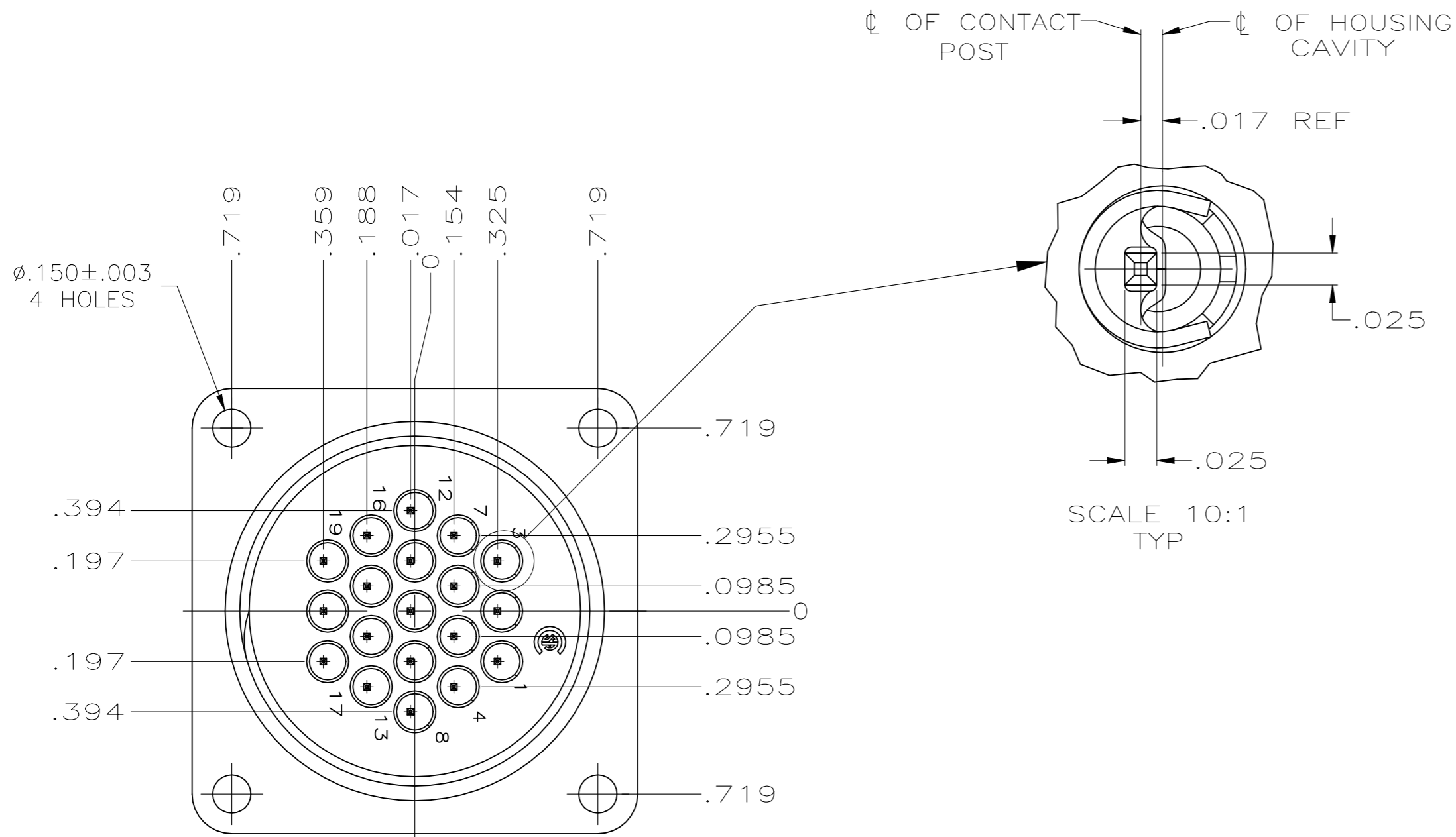


THIS DRAWING IS UNPUBLISHED. RELEASED FOR PUBLICATION
 © COPYRIGHT - By - ALL RIGHTS RESERVED.

REVISIONS					
P	LTR	DESCRIPTION	DATE	DWN	APVD
H1		REVISED PER ECR-22-150475	26AUG2022	RK	MZ



PART NUMBER AND DATE CODE MARKED ON ANY FLANGE EDGE



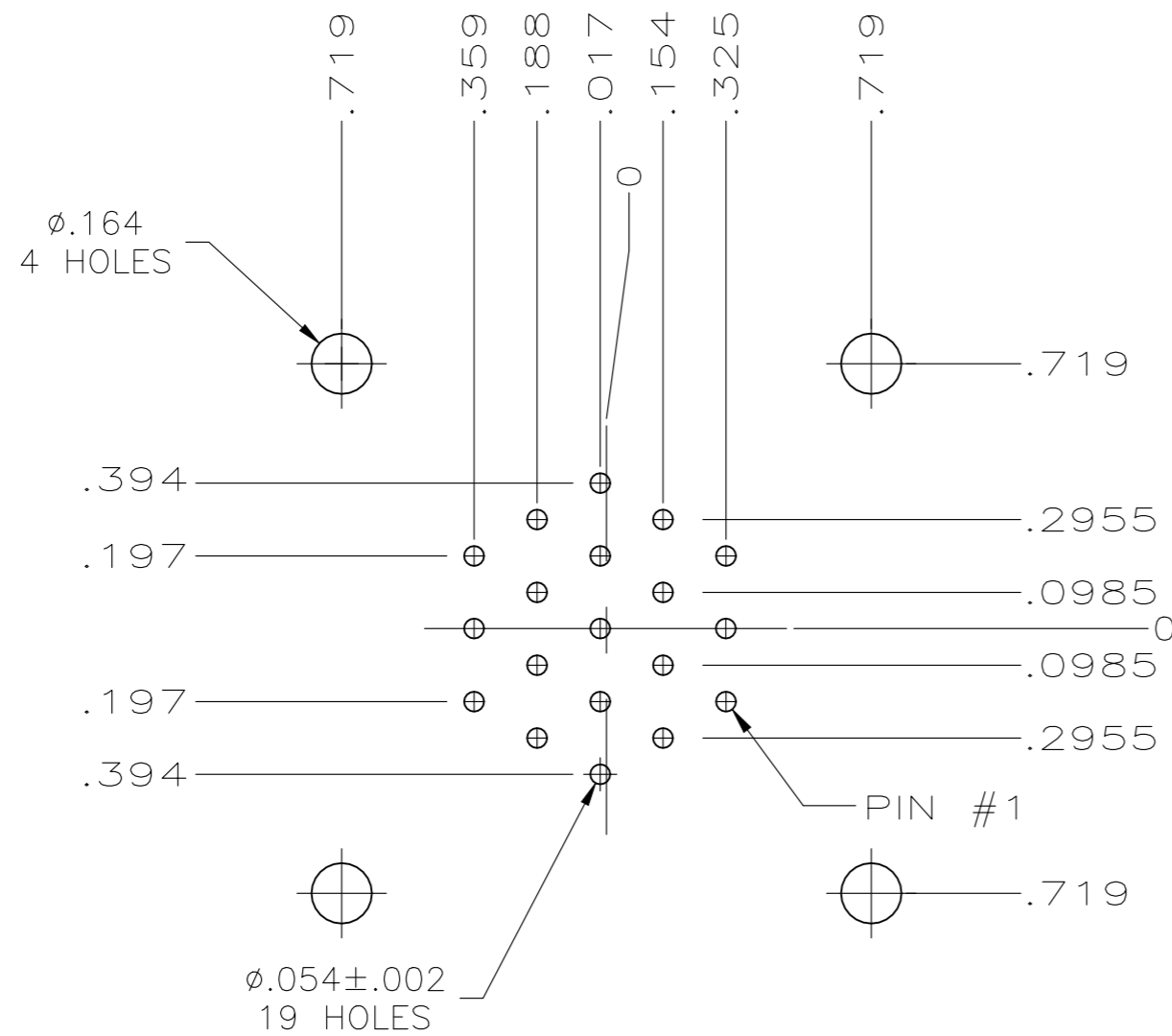
VIEW B-B

OBSOLETE	△6	.240	1-213782-0
	△5	.244	213782-7
	△6	.429	213782-4
OBSOLETE	△5	.119	213782-3
	△5	.244	213782-2
OBSOLETE	△5	.429	213782-1
		POST FINISH	PART NUMBER
		DIM L	

THIS DRAWING IS A CONTROLLED DOCUMENT.		DWN W.LENKER 08/20/93	STE TE Connectivity	
DIMENSIONS: INCHES		CHK R.STONE 08/24/93		
TOLERANCES UNLESS OTHERWISE SPECIFIED:		APVD -	NAME	
0 PLC ± -		PRODUCT SPEC -	RECEPTACLE ASSEMBLY, POSTED, STD SEX, SERIES 1, 23-19, CPC	
1 PLC ± -		APPLICATION SPEC -	SIZE A2	CAGE CODE 00779
2 PLC ± -		WEIGHT -	DRAWING NO C=213782	RESTRICTED TO -
3 PLC ± .005		CUSTOMER DRAWING	SCALE 2:1	SHEET 1 of 2
4 PLC ± .0050			REV H1	
ANGLES ± -				
FINISH -				

THIS DRAWING IS UNPUBLISHED. RELEASED FOR PUBLICATION
 © COPYRIGHT - By - ALL RIGHTS RESERVED.

REVISIONS				
P	LTR	DESCRIPTION	DATE	APVD
-	-	SEE SHEET 1	-	-



RECOMMENDED P.C. BOARD LAYOUT

- 1 NYLON, UL 94V-0 RATED, BLACK.
- 2 STAINLESS STEEL.
- 3 BRASS.
- 4 CONTACT BODY: .000030 MIN GOLD FOR A LENGTH .200 MIN FROM MATING END. GOLD FLASH ON REMAINDER, BOTH OVER .000050 MIN NICKEL.
- 5 CONTACT POST: .000100 MIN TIN-LEAD OVER .000050 MIN NICKEL.
- 6 CONTACT POST: .000100 MIN TIN OVER .000050 MIN NICKEL.
- 7 RECOMMENDED PC BOARD HOLE SIZE FOR CONTACT POST = $.035 \pm .003$ DIA.
- 8 SELECT LOAD: NO CONTACTS IN POSITIONS 5 AND 6.
- 9 OBSOLETE PARTS

THIS DRAWING IS A CONTROLLED DOCUMENT.		DWN W.LENKER 08/20/93																				
DIMENSIONS: INCHES		CHK R.STONE 08/24/93																				
TOLERANCES UNLESS OTHERWISE SPECIFIED:		APVD -	NAME																			
<table border="0"> <tr><td>0 PLC</td><td>±</td><td>-</td></tr> <tr><td>1 PLC</td><td>±</td><td>-</td></tr> <tr><td>2 PLC</td><td>±</td><td>-</td></tr> <tr><td>3 PLC</td><td>±</td><td>.005</td></tr> <tr><td>4 PLC</td><td>±</td><td>.0050</td></tr> <tr><td>ANGLES</td><td>±</td><td>-</td></tr> </table>		0 PLC	±	-	1 PLC	±	-	2 PLC	±	-	3 PLC	±	.005	4 PLC	±	.0050	ANGLES	±	-	PRODUCT SPEC -	RECEPTACLE ASSEMBLY, POSTED, STD SEX, SERIES 1, 23-19, CPC	
0 PLC	±	-																				
1 PLC	±	-																				
2 PLC	±	-																				
3 PLC	±	.005																				
4 PLC	±	.0050																				
ANGLES	±	-																				
MATERIAL: HOUSING: 1 CONTACT SPRING: 2 CONTACT BODY & POST: 3		FINISH -	APPLICATION SPEC -	WEIGHT -																		
		SIZE A2	CAGE CODE 00779	DRAWING NO C=213782																		
		CUSTOMER DRAWING		RESTRICTED TO -																		
		SCALE 2:1	SHEET 2 OF 2	REV H1																		