



Our Planetary Gear Motors are an inline solution providing excellent torque output at various speeds. They are equipped to handle varying loads and are best for intermittent duty operation. With endless performance combinations, we have a fully tailored gear motor solution for you.



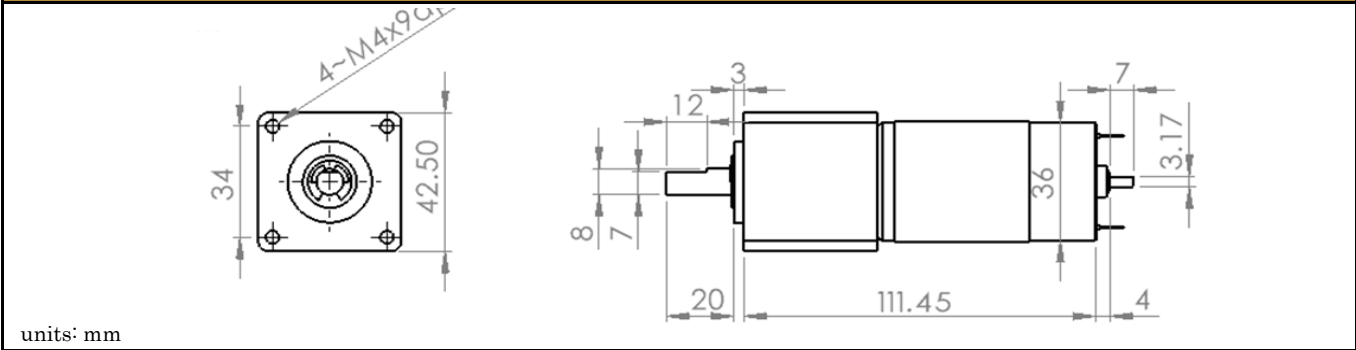
Contact Us for alternative solutions!

Specifications

Gearhead Type:	Planetary	No-Load Speed:	20 rpm (+/- 10%)
Motor Type:	Carbon - Brushed	No-Load Current:	< 0.35 A
Rated Voltage:	12V DC	Stall Torque:	390 kg.cm
Rated Speed:	18 rpm	Max. Power:	20 W
Rated Torque:	46 kg.cm	Reduction Ratio:	294:1
Rated Current:	1.90 A	Termination Style:	Terminals

* Gearbox limitations are set at 150 kg.cm, operating past this torque limit may create premature failure.

Dimensions



Performance Curve

