

ITEM	PART#	DESCRIPTION	QTY	UOM
A	9508020	KK 156 Crimp Housing 02 Ckt	1	PC
B	8500105	KK 156 TERMINAL CRIMP 18-24 AWG TIN	2	PC
C		PAPER PRINTED PAPER WHITE (S100X150YAJ)	1	PC

FROM	TO	DESCRIPTION	COLOR
A1	--	1X18AWG MPPE BK UL11028	BLACK
A2	--	1X18AWG MPPE BK UL11028	BLACK

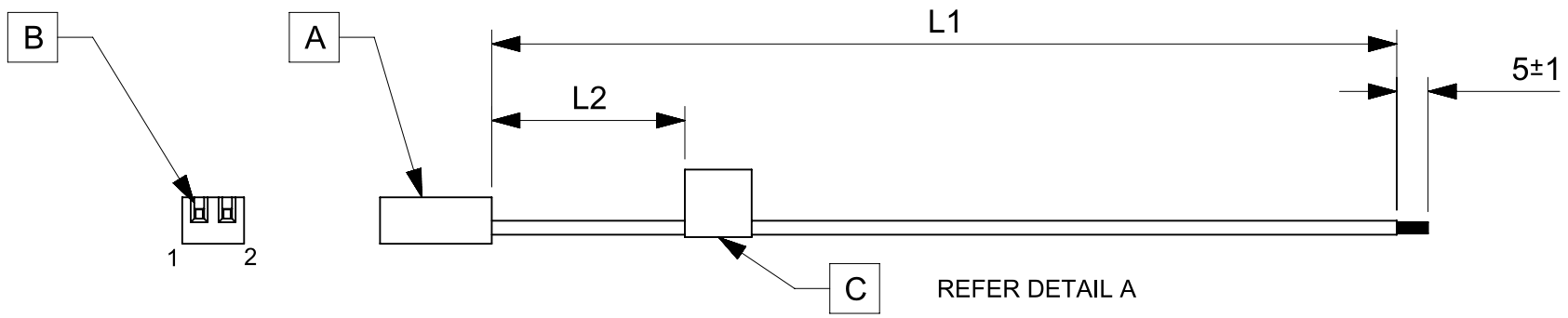


TABLE			
PART NUMBER	L1	L2 (REF)	TITLE
2196651022	150±4	50	KK 3.96 R-S 2ckt 150mm disc Sn
2196651023	300±4	50	KK 3.96 R-S 2ckt 300mm disc Sn
2196651024	600±6	50	KK 3.96 R-S 2ckt 600mm disc Sn

**NOTES**

1. Connector view shown is from mating side.
2. Label text must be 2mm max. in height with Arial font.
3. Label must be wrapped in Flag type on a single cable.
4. Free ends must be stripped, twisted & tinned. The length of tinning is 5±1mm. Tinning Dia must be 1.6 mm Max.

MOLEX P/N  
MOLEX  
BATCH WK/YR  
DETAIL A

REVISION			
DATE	REV	DESCRIPTION	CHANGER
2021/12/27	A	INITIAL RELEASE	SAIKIG

FUNCTIONAL SYMBOLS $\nabla_A = 0$ $\nabla_E = 0$ $\nabla_P = 0$ DIVISIONAL SYMBOLS	DIMENSION UNITS: <b>mm</b> SCALE: <b>NTS</b>		CURRENT REV DESC:				
	GENERAL TOLERANCES (UNLESS SPECIFIED)		EC NO: 691733				
	ANGULAR TOL ± °		DRWN: SAIKIG    2021/12/29				
	4 PLACES ±		CHK'D: MNARAYAN01    2022/01/19				
3 PLACES ±		APPR: MNARAYAN01    2022/01/19		PRODUCT CUSTOMER DRAWING			
2 PLACES ±		INITIAL REVISION:		DOCUMENT NUMBER	DOC TYPE		
1 PLACE ±		DRWN: SAIKIG    2021/12/29		<b>2196651022</b>	PSD		
0 PLACES ±		APPR: MNARAYAN01    2022/01/19		DOC PART	REVISION		
DRAFT WHERE APPLICABLE MUST REMAIN WITHIN DIMENSIONS		THIRD ANGLE PROJECTION	DRAWING	SERIES	MATERIAL NUMBER	CUSTOMER	SHEET NUMBER
			<b>A4-SIZE</b>	<b>219665</b>	SEE TABLE	GENERAL MARKET	1 OF 1