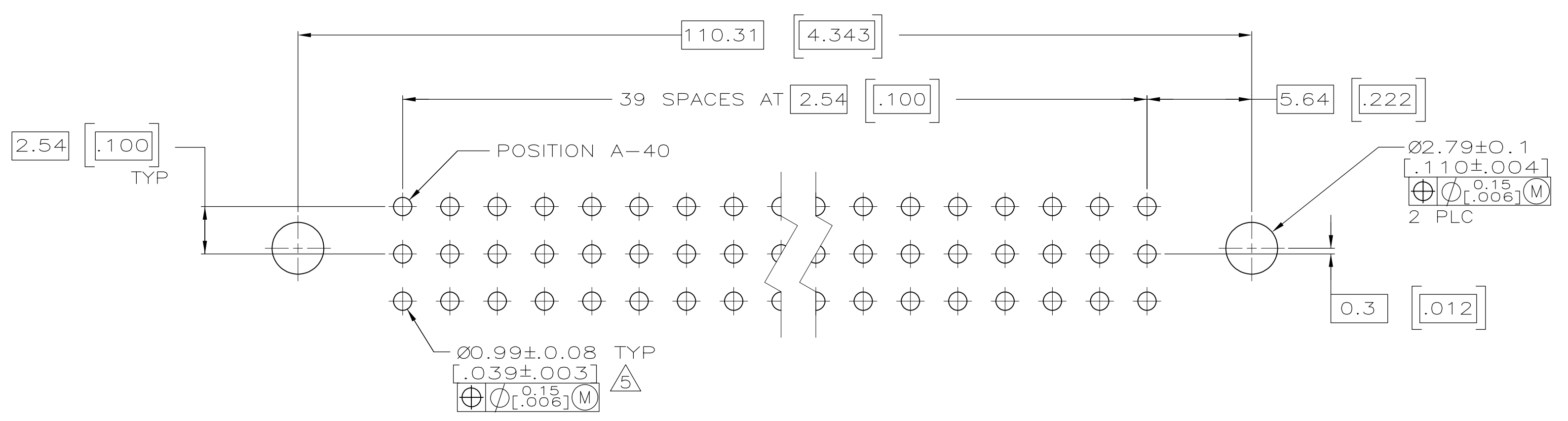
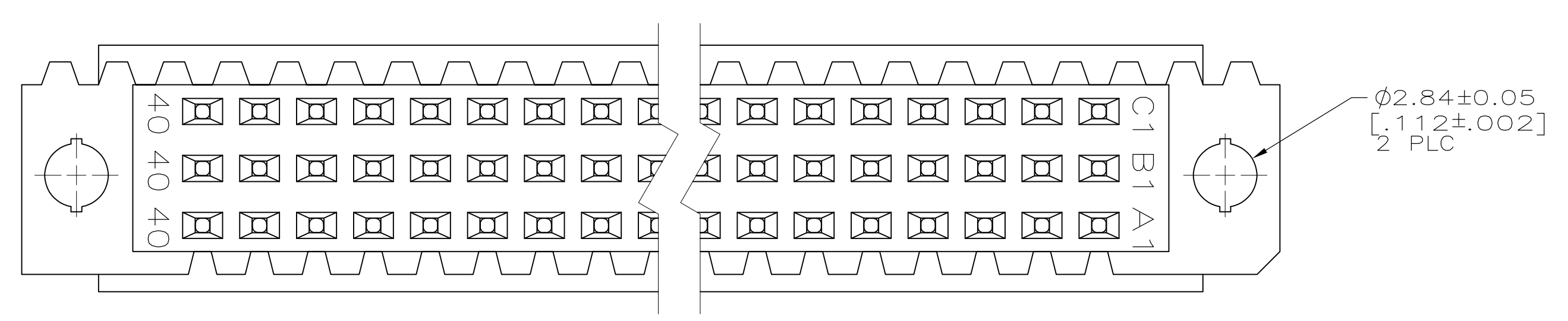
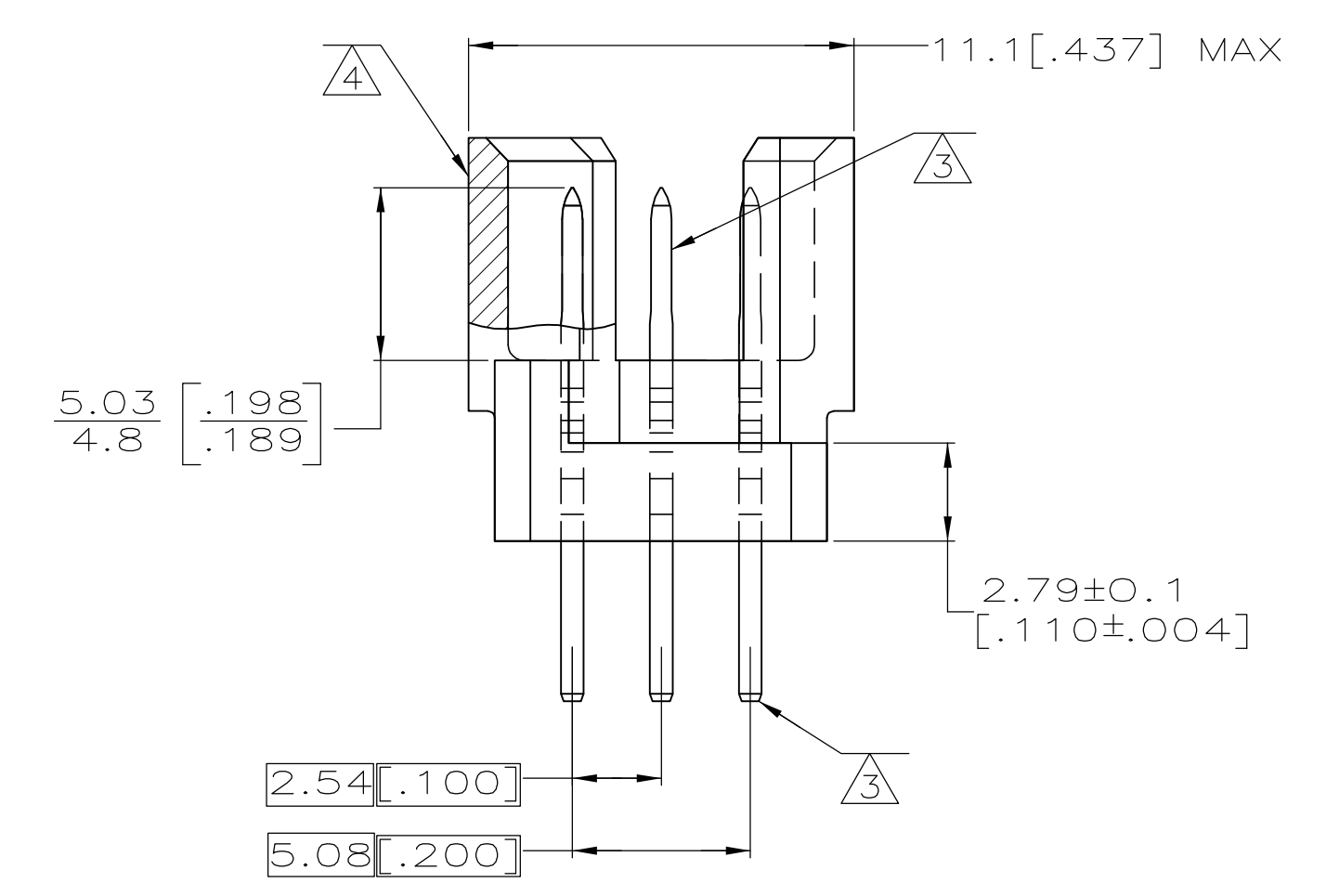
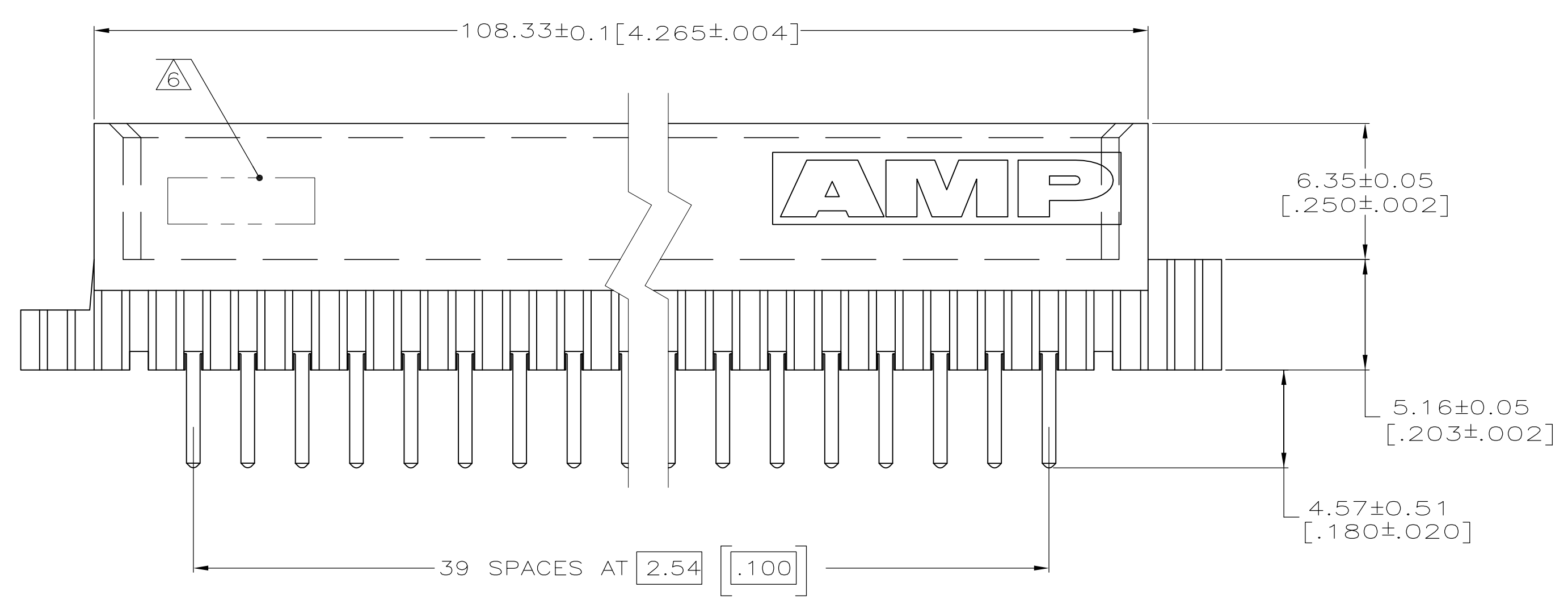


- △ HOUSING MATERIAL: GLASS-FILLED POLYMER.
- △ POST MATERIAL: COPPER ALLOY.
- △ POST FINISH: DIN 41612 CLASS 2 IN CONTACT AREA. TIN PLATE ON POSTS.
- △ MARKING ON THIS SIDE.
- △ RECOMMENDED HOLE SIZE FOR MANUAL APPLICATION OF CONNECTOR ONTO PC BOARD.
- △ PART NUMBER, DATE CODE MARKED THIS APPROXIMATE AREA.



PC BOARD LAYOUT

1-40	X	X	X	120	5650910-5
POSITIONS LOADED	C	B	A	NO. OF LOADED POSITION	ASSY PART NUMBER
	ROWS LOADED				

THIS DRAWING IS A CONTROLLED DOCUMENT.		DWN J. POLIGNONE	OSMAYOS	Tyco Electronics Corporation Harrisburg, PA 17105-3608
DIMENSIONS: mm [INCHES]		CHK A. SHARPE	OSMAYOS	
TOLERANCES UNLESS OTHERWISE SPECIFIED:		APP'D A. SHARPE	OSMAYOS	NAME ASSEMBLY, PIN, EUROCARD, TYPE R, 120 POSITION, 4.57[.180] SOLDER POST
0 PLC ± -		PRODUCT SPEC		
1 PLC ± -		APPLICATION SPEC		
2 PLC ± 0.15[.005]		SIZE A1	CAGE CODE 00779	DRAWING NO. 5650910
3 PLC ± -		WEIGHT -	RESTRICTED TO	
4 PLC ± -		CUSTOMER DRAWING		SCALE 5:1 SHEET 1 OF 1 REV 02
ANGLES ± -				
FINISH				